

# PIBV2 Post Indicator and Butterfly Valve Supervisory Switch

## Specifications

Contact Ratings:	10A @ 125/250 VAC ~ 2.5 A @ 24 VDC ---
Dimensions:	8 1/4" H X 3 1/2" W X 3 1/4" D
Maximum Stem Extension:	3 5/32"
Operating Temperature Range:	32°F – 120°F (0°C – 49°C)
Shipping Weight:	2 lbs.
	Enclosure Rating: NEMA Type 3R when mounted with the actuator vertical (cover on top) as tested by Underwriters Laboratories, Inc.
	IP54
U.S. Patent Number:	5,213,205

## Important

### Please Read Carefully and Save

This instruction manual contains important information on the installation and operation of supervisory switches. Purchasers who install supervisory switches for use by others must leave this manual or a copy of it with the user. These instructions apply to System Sensor switches for post indicator and butterfly type valves. Read all instructions carefully before beginning installation.



Do NOT use this switch in explosive or potentially explosive atmospheres.  
 Do NOT leave unused wires exposed.

Before installing any supervisory switches in sprinkler systems, be thoroughly familiar with:

NFPA 72: *Installation, Maintenance and Use of Local Protective Signalling Systems*

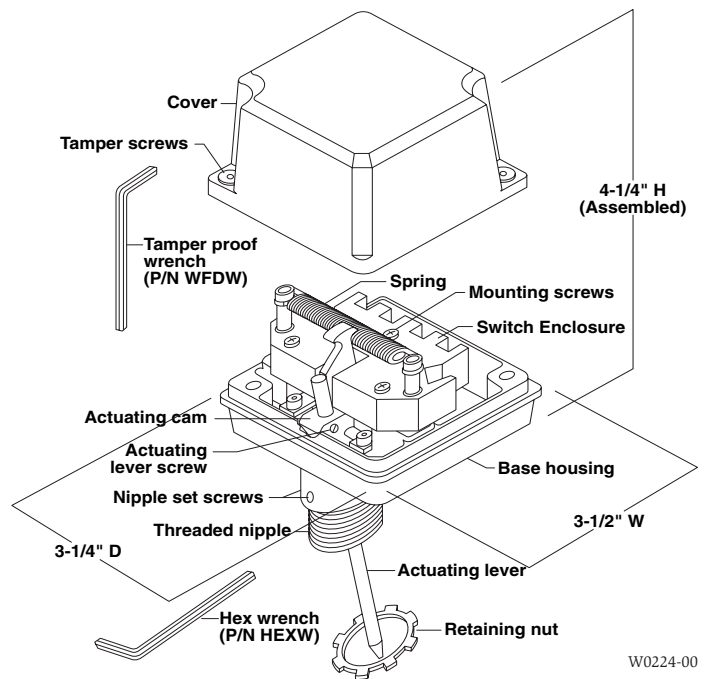
NFPA 13: *Installation of Sprinkler Systems, specifically Section 3.17*

NFPA 25: *Inspection, Testing and Maintenance of Sprinkler Systems, specifically Chapters 4 and 5*

## General Installation Considerations

1. Model PIBV2 is designed for installation in a 1/2" NPT tapped hole and located so that the actuating lever of the switch engages the target or flag of the valve. The switch actuating lever is spring loaded against the flag or target of the valve and is released when the valve moves toward the closed position from the fully open position. The switch is factory set to indicate an alarm condition when the target and lever move in the direction toward the conduit entry hole when the valve closes, but can be reversed if the installation demands (refer to Section 4).

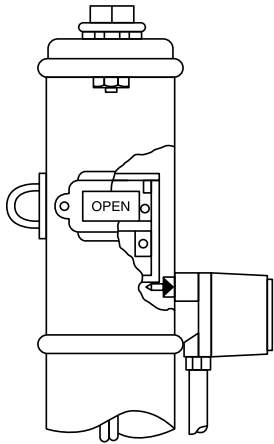
Figure 1:



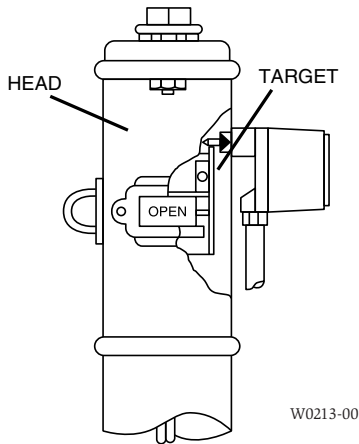
2. Model PIBV2 is equipped with a removable 1/2" NPT pipe nipple which is locked in place with two set screws. A hex wrench is provided for this feature. The PIBV2 also includes an adjustable length actuating lever.
3. The cover is secured with two tamper resistant screws which require a special key to remove. One key is included with each supervisory switch. Replacement and additional keys are available (Part No. WFDW).

**Figures 2A and 2B:**

**Rising Flag**



**Falling flag**



### Section 1

#### Installation Instructions For Post Indicator Valves

1. There are two types of post indicator valves – rising flag and falling flag. In a rising flag installation, the PIBV2 mounts below the target assembly, as shown in Figure 2A. Closing the valve raises the target assembly and releases the actuating lever on the PIBV2. In a falling flag installation, the PIBV2 mounts above the target assembly (Figure 2B). Closing the valve lowers the target assembly and releases the actuating lever on the PIBV2.

**The PIBV2 is set for falling flag installation. If a rising flag operation is desired, it is necessary to reverse the action of the switch (See Section 4).**

2. If the post indicator valve is predrilled with  $\frac{1}{2}$ " NPT mounting hole, remove the plug and go to step 6. If the post indicator valve is NOT equipped with a  $\frac{1}{2}$ " NPT mounting hole, it will be necessary to drill and tap the hole.
3. Position the valve in the fully open position ("OPEN" should appear in the window) and remove the head and target assembly. In doing so, ensure that the assembly can be reinstalled with its original adjustment.
4. (a) In a falling flag installation (flag lowers as valve is closed), measure the distance from the bottom of the head to the upper surface of the target that will contact the actuating lever of the PIBV2. Add  $\frac{3}{32}$ " to this measurement and mark the outside of the housing at that location. Drill with a  $\frac{23}{32}$ " drill bit and tap a  $\frac{1}{2}$ " NPT thread.  
(b) In a rising flag installation (flag rises as valve is closed), measure the distance from the bottom of the head to the lower surface of the target that will contact the actuating lever. Subtract  $\frac{3}{32}$ " to this measurement and mark the outside of the housing at that location. Drill with a  $\frac{23}{32}$ " drill bit and tap a  $\frac{1}{2}$ " NPT thread.

5. Replace the head and target assembly.
6. Screw the locknut onto the threaded nipple which is supplied with the PIBV2.
7. Screw the nipple hand tight into the  $\frac{1}{2}$ " hole in the valve and tighten the locknut against the housing to secure the nipple in position.
8. Insert a probe into the hole through the nipple to measure the distance from the open end of the nipple to the desired position on the target assembly. Subtract  $\frac{5}{8}$ " from the distance and set the length of the actuating lever of the PIBV2 from the end of the enclosure to this distance. Tighten the screw which holds the actuating lever.

**NOTE: Place cover over PIBV2 to ensure that actuating lever does not interfere with cover. If actuating lever interferes with cover, remove lever and break off additional length at breakaway point. Repeat step 8 to re-install actuator lever. Refer to Figure 7.**

9. Close the valve 3 to 4 revolutions.
10. Install the PIBV2 onto the nipple and orient the conduit entry down (See Figure 4). Apply pressure to the PIBV2 and lock the set screws to secure the nipple to the PIBV2.
11. Slowly open the valve to its fully open position. The switch should trip as the valve opens, but not force the actuating lever against the nipple when fully open. To check for this condition, open the valve fully and depress the top of the actuating cam to stretch the actuating spring further. There should be some additional movement available. If no movement is available, damage may occur to the PIBV2 actuator lever. It will be necessary to adjust the flag location by removing the head and turning the handle while the valve stem is disengaged (refer to the valve manufacturer.)
12. After checking the fully open position to ensure adequate clearance, close the valve slowly until the PIBV2 contacts trip. The switches must trip within  $\frac{1}{5}$  of the full travel distance of the valve.
13. If the PIBV2 does not change states within  $\frac{1}{5}$  of the length of travel, it may be necessary to adjust the flag up or down by removing the head and turning the handle (refer to the valve manufacturer.)

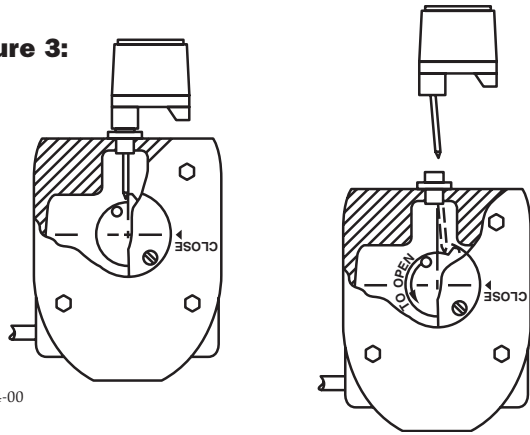
### Section 2

#### Installation Instructions For Butterfly Valves

(See Figure 3)

1. Remove the  $\frac{1}{2}$ " NPT plug from the gear housing.
2. Loosen 2 set screws that hold the nipple on the PIBV2 and remove the nipple.
3. Screw the locknut onto the nipple.
4. Screw the nipple into the  $\frac{1}{2}$ " NPT hole and hand tighten. Tighten the locknut firmly to the housing to secure the nipple.
5. Open the valve fully and close the valve approximately 3 revolutions, noting which direction the target moves.

**Figure 3:**



W0214-00

6. Retract the actuating arm and install PIBV2 onto the nipple, orienting the PIBV2 to trip the switch as the valve closes. If the conduit entry is on the wrong side, it will be necessary to reverse the action of the switch (see Section 4). Apply pressure to PIBV2 and tighten set screws to secure the assembly.
7. Slide the actuating arm into the valve until it bottoms on the flag, but do not tighten the screw which holds the actuating lever.
 

**NOTE: Place cover over PIBV2 to ensure that actuating lever does not interfere with cover. If actuating lever interferes with cover, remove lever and break off additional length at breakaway point. Refer to Figure 7.**
8. Open the valve to the full open position and tighten screw to hold actuating arm in position. (Actuating arm length will adjust slightly as valve is opened.) Check to ensure that in the full open position the actuating arm is not resting on the nipple. Do this by depressing the actuating cam to further stretch the spring, ensuring that more travel is available when the valve is open. If there is no travel, damage may occur to PIBV2 actuating arm. Some slight alteration of the valve stop setting may be necessary to ensure that no damage occurs.
9. Carefully close valve and note the number of handle revolutions until the switch trips. The switch must trip within  $\frac{1}{5}$  of the total travel range of the valve.

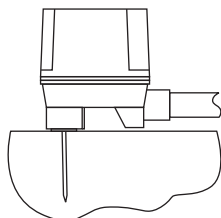
### Section 3

#### General Installation Instructions

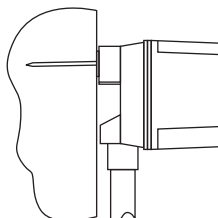
##### 1. Installation Positions

**Figure 4:**

The following are examples of acceptable mounting positions:



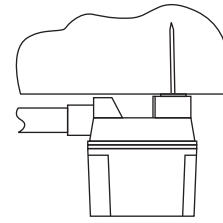
Actuator Vertical (Down)



Actuator Horizontal

W0215-01

The following mounting position is **not acceptable**:



Actuator Vertical (Pointing Up)

W0322-00

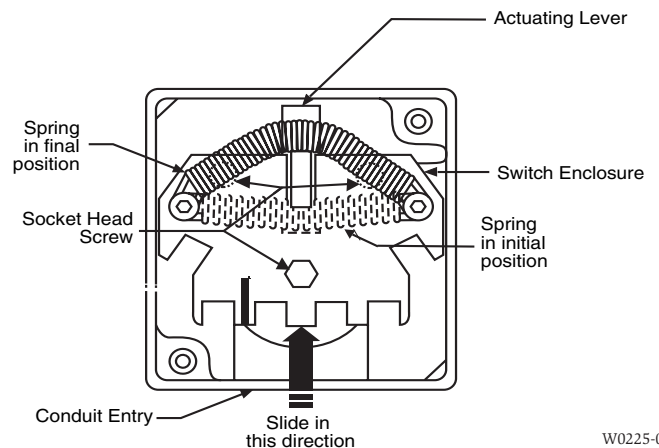
2. Ground Screw — A ground screw is provided with all supervisory switch models. When grounding is required, clamp wire with the screw in hole located near conduit entrance.
3. Wiring — See Figure 6, Page 4.

### Section 4

#### Reversing The Action Of PIBV2

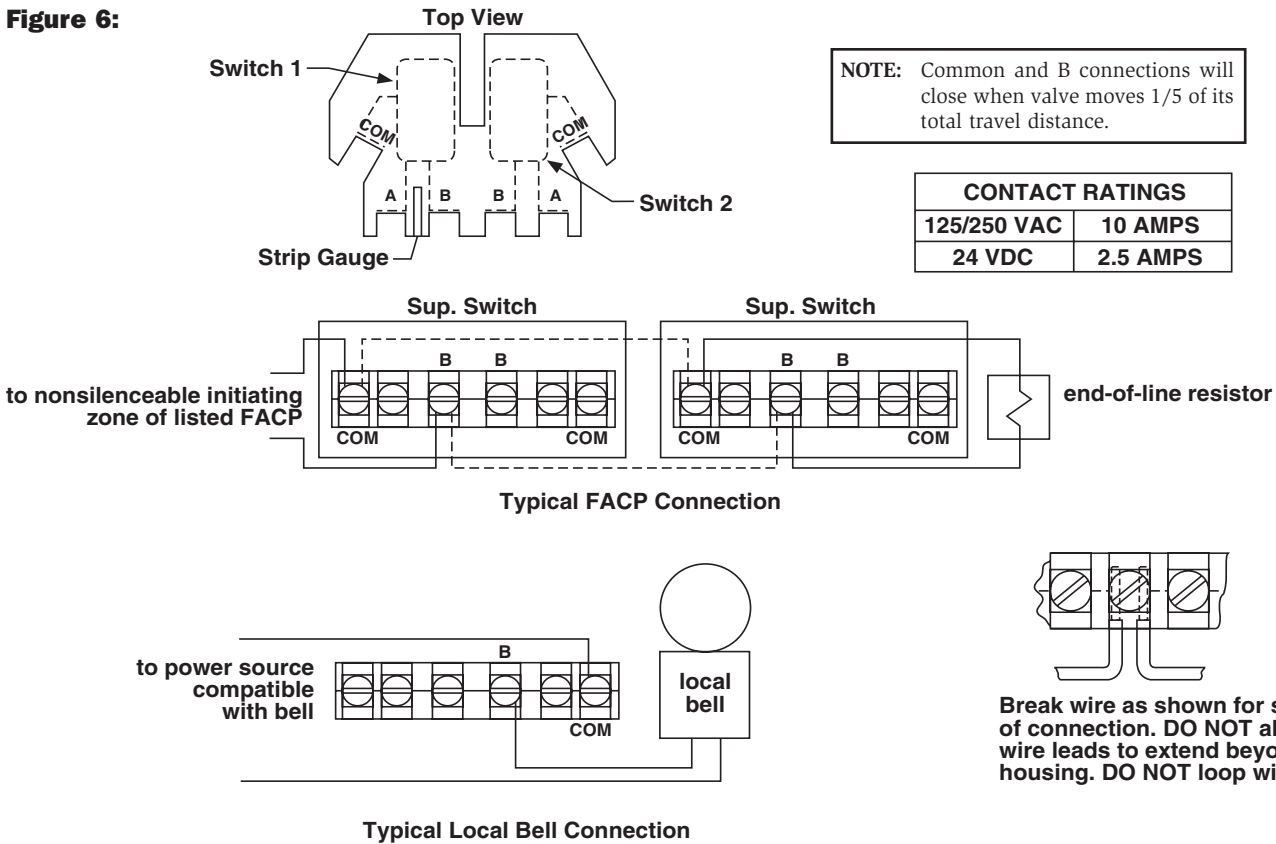
1. Loosen the 3 phillips screws on the top of the black switch enclosure so that the switch enclosure is loose and free to move (see Figure 5).
2. Slide the switch enclosure away from the conduit entry toward the actuating pivot arm as far as possible and tighten the 3 screws to secure the enclosure. (Ensure that switch enclosure remains oriented away from the conduit entry as screws are tightened.)
3. Grasp the spring at the center and lift it over the actuating cam so that it seats on the opposite side of the actuator (see Figure 5).

**Figure 5:**



W0225-00

**Figure 6:**

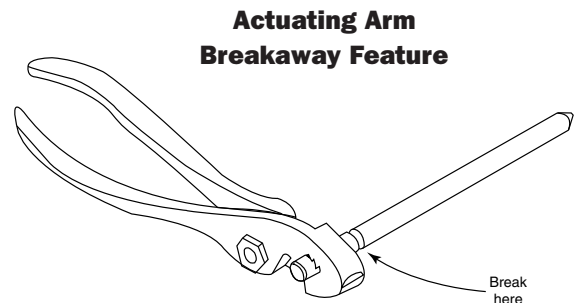


W0323-00

**WARNING: High Voltage. Electrocution Hazard.** Do not handle live AC wiring or work on a device to which AC power is applied. Doing so may result in severe injury or death.

When utilizing switches at voltages greater than 74 VDC  $\text{---}$  or 49 VAC  $\text{~}$ , means to provide all-pole disconnection must be incorporated in the field wiring, such as a circuit breaker.

**Figure 7:**



W0321-00

**▲WARNING**

**The Limitations of Supervisory Switch Alarm Devices**

- Alarms generated by the activation of the actuating lever may not be received by a central station if telephone or other communication lines to the alarm device are out of service, disabled, or open.
- Supervisory switch alarm devices have a normal service life of 10-15 years.
- Supervisory switches are not a substitute for insurance. Building owners should always insure property and lives being protected.

**Three-Year Limited Warranty**

System Sensor warrants its enclosed supervisory switch to be free from defects in materials and workmanship under normal use and service for a period of three years from date of manufacture. System Sensor makes no other express warranty for this supervisory switch. No agent, representative, dealer, or employee of the Company has the authority to increase or alter the obligations or limitations of this Warranty. The Company's obligation of this Warranty shall be limited to the repair or replacement of any part of the supervisory switch which is found to be defective in materials or workmanship under normal use and service during the three year period commencing with the date of manufacture. After phoning System Sensor's toll free number 800-SENSOR2 (736-7672) for a Return Authorization number, send defective units postage prepaid to: System Sensor, Returns Department, RA # \_\_\_\_\_, 3825

Ohio Avenue, St. Charles, IL 60174. Please include a note describing the malfunction and suspected cause of failure. The Company shall not be obligated to repair or replace units which are found to be defective because of damage, unreasonable use, modifications, or alterations occurring after the date of manufacture. In no case shall the Company be liable for any consequential or incidental damages for breach of this or any other Warranty, expressed or implied whatsoever, even if the loss or damage is caused by the Company's negligence or fault. Some states do not allow the exclusion or limitation of incidental or consequential damages, so the above limitation or exclusion may not apply to you. This Warranty gives you specific legal rights, and you may also have other rights which vary from state to state.