

For Residential and Commercial Applications

Job Name		Engineer / Architect	
Job Location		Wholesaler	
Submittal Date		Contractor	

MFR17X/OFR /OFR37X Multi-Turn Angle Stop – Female Iron Pipe x Flare

Use: For use in potable water distribution systems in accessible locations only. Not intended for recirculation systems/continuous use of temperatures above 115° F. For those applications, use our KT™ series ball stop.

Design Features:

- **Machined one-piece brass body** provides strength, durability and long-lasting performance
- **Knurled oval handle** provides a secure grip and smooth on/off operation
- **Easy-to-remove handle** with screw attachment protects accidental stop operation during rough-ins

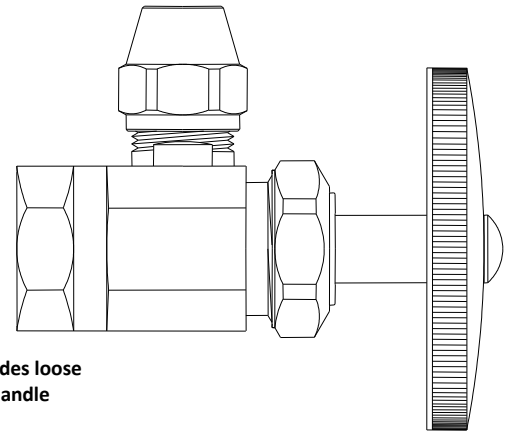


Operating Specifications:

Temperature: 40° - 160° F
Pressure: 125 PSI maximum



Excludes loose key handle

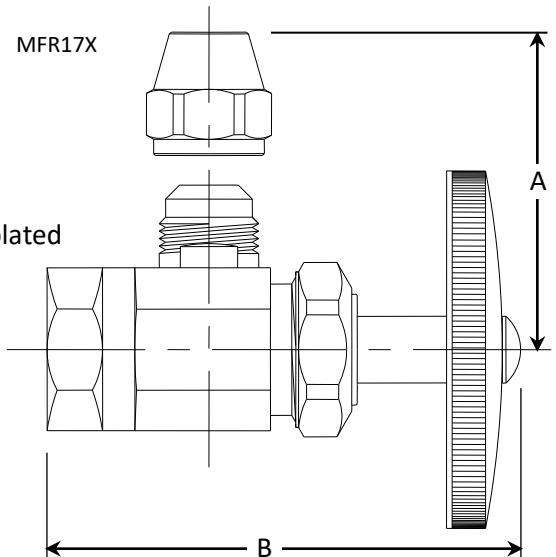


STOP MATERIAL SPECIFICATIONS	
Body	Brass, plated
Stem	POM or brass
Bib & Packing Washers	Nitrile or EPDM rubber
Packing Nut	Brass, plated
Handle	Metal, plated; ABS, plated; or polycarbonate
Handle Screw	Steel, zinc plated
Flare Nut	Brass

Part Listing:

- OFR17X C 1/2" FIP x 3/8" OD flare with loose key, chrome plated
- OFR37X C 1/2" FIP x 3/8" OD flare, chrome plated

PART DIMENSIONS (Inches)		
Model	DIM. A	DIM. B
OFR17X	1.22	2.55
OFR37X	1.22	2.55



Listings & Certifications:

- IAPMO listed to ASME A112.18.1 / CSA B125.1 (includes NSF/ANSI 372 and NSF/ANSI/CAN 61)



Excludes loose key handle

This specification and all information contained herein is the confidential and exclusive property of BrassCraft Manufacturing Company and shall not be disclosed to others without the written consent of BrassCraft. This specification must be returned to BrassCraft if requested.

BrassCraft®