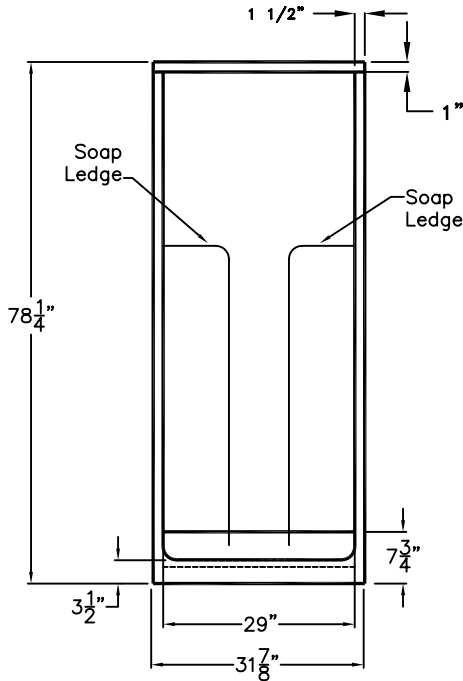


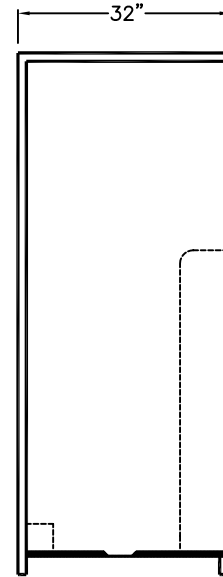
# LUXURY GELCOAT SERIES

## SUBMITTAL DATA

FRONT VIEW



SIDE VIEW



### Architectural Specifications

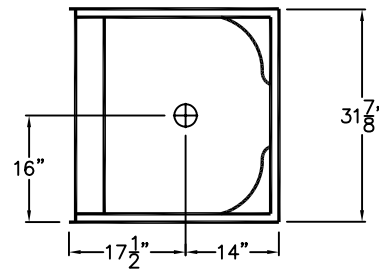
The gelcoat residential shower unit shall be an Aquarius Model G 3280 sh center drain unit for valve installation on either the left or right hand wall. The finished surface shall be a sanitary-grade polyester gelcoat exhibiting a minimal thickness of 15 dry mils and a finished Barcol hardness of 80-90 as tested with ASTM D-2583. The unit shall be constructed of molded fiberglass and resin with 15% minimum fiberglass and resin composite. The finish of the units shall be constructed of a fire retardant gelcoat with a Class A Flame Spread Rating of 25 or less.

The unit's floor shall be of an anti-flex design using a sandwich-type construction with a composite board and hard wood core encased in multiple layers of fiberglass and resin composite. The base of the unit shall be attached to form an integral part of the unit. The unit's back and side walls shall be reinforced with a polyurethane foam core.

This unit complies with ANSI Z124.2 and shall meet the requirements of IAPMO, HUD, NAHB, and the Southern Building Code.

Note: Due to the small outside dimensions of this unit, the G 3280 sh has inside dimensions that do not allow it to meet the 30" inside diameter measurements required by some plumbing codes.

TOP VIEW



DUE TO THE NATURE OF THE MATERIALS  
DIMENSIONS MAY VARY ± 1/2"

Job Name:	AQUARIUS	
Model No.:	Drawing#: G3280 SH	
Approved by:	Date Approved:	Date: 7-18-96 Revised: 1-18-12
Rep.:	Wholesaler:	Quote No.:

PRAXIS INDUSTRIES, INC.  
ROUTE 1, BOX 46D - SAVANNAH, TN 38372  
1 (800) 443-7269 - FAX (901) 925-4290