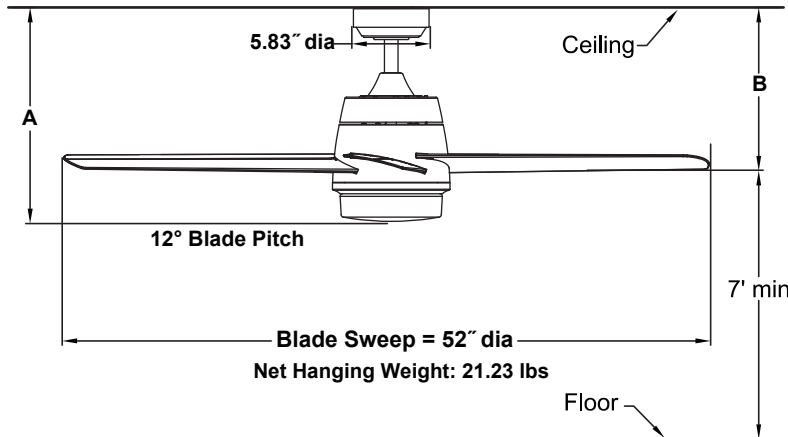


BERLIN™

LP8064
52" Ceiling Fan**



	A	B
Fan w/4.5" downrod	16.48"	12.63"
Fan w/12" downrod	23.98"	20.13"
Fan w/18" downrod	29.98"	26.13"
Fan w/24" downrod	35.98"	32.13"
Fan w/36" downrod	47.98"	44.13"
Fan w/48" downrod	59.98"	56.13"
Fan w/60" downrod	71.98"	68.13"
Fan w/72" downrod	83.98"	80.13"

INSTALLATION REQUIREMENTS:

Fan must be attached to a securely anchored electrical junction box capable of withstanding a load of at least 35 lbs.

ELECTRICAL REQUIREMENTS:

Requires a grounded electrical supply line of 120 volts AC, 60 Hz, 15 amp circuit.

MOTOR SPECS:

172 x 20 AC motor is designed for optimal performance with this fan.

BLADES:

A set of five 23" plastic blades is included.

CONTROL OPTIONS:

CW60WH-8064 wall control is included. This wall control has 3 fan speeds switch and light dimming switch. The reverse switch is located on the top housing. Optional CW1SW, CW2 and CWRL4 wall controls available—sold separately.

Optional BTCR9, CRL8TS, C4 and CRL4WH remote controls with receiver unit and BTR9 receiver unit are available—sold separately. Instructions are provided with each control.

LIGHTING OPTIONS:

One 100-watt halogen minican bulb included.

DOWNROD OPTIONS:

Fan comes with a 1" Dia. x 4.5" downrod (DRT1-45). Optional downrods are available in 12", 18", 24", 36", 48", 60" and 72". For installations requiring a longer downrod, a downrod coupler is available. Fan must use 12" or longer downrod, and can be mounted on a sloped ceiling up to 19°. Optional sloped ceiling kits (SCK1-52) are available for up to 42°. Call technical support for more information.

LOCATION USE:

Fan is rated for dry and damp locations.

Available Finishes

LBN	Brushed Nickel with Gray Blade and Opal Frosted Glass
LAZ	Aged Bronze with Aged Bronze Blade and Opal Frosted Glass

Airflow / Energy Efficiency Info (120V)

Fan Speed	Max RPM	CFM	CFM / Watts	Amps	Watts
High	170	5712	107	0.45	53
Med	123	4175	143	0.34	29
Low	83	2677	190	0.23	14

Energy Guide FTC

Power (Watt)	Total Air Delivery (CFMave)	Estimated Yearly Energy Cost (\$)	Ceiling Fan Efficiency (CFM/W)
36	4562	10	127

Light Bulb Information (120V)

Bulb Type	Watts	QTY	Lumens Amount	Color Temp	CRI
minican	100	1	1600	2750	99%