

Thermostatic Mixing Valve

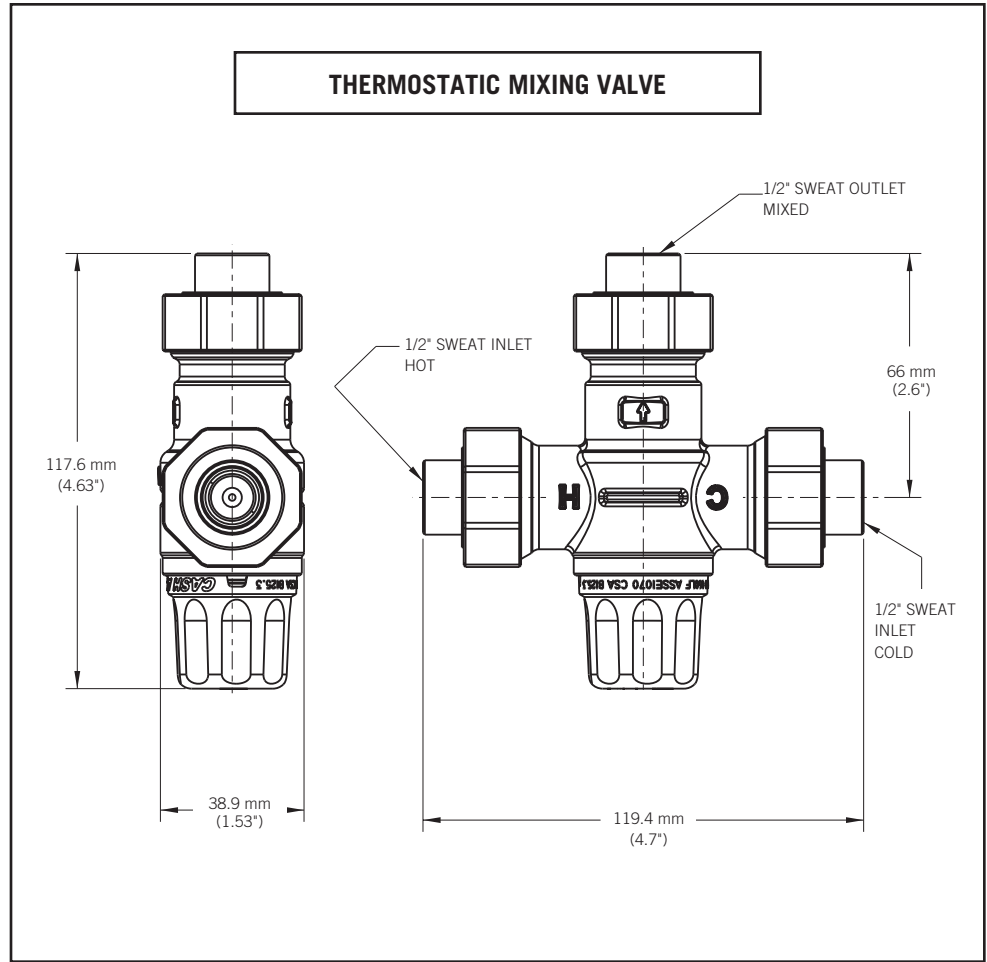
TECK
COMMERCIAL

DELTA

❑ R2570-MIXLF

SPECIFICATION: (EXAMPLE)

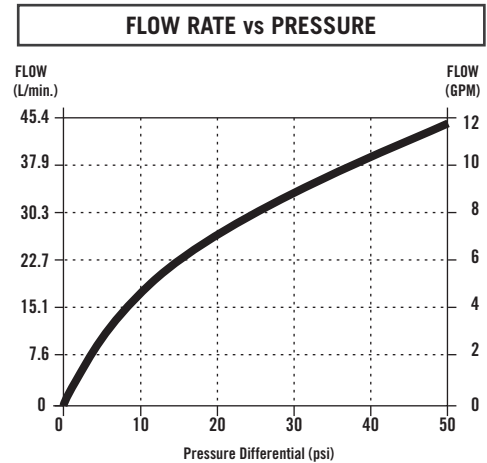
- Thermostatic mixing valve
- Brass body
- Thermostatic element senses the outlet water temperature and reacts to maintain a constant delivery temperature even under changing flows or variations in supply temperatures or pressures
- Regulating piston made from Engineered polymer
- Outlet flow reduced to a trickle in the event of a cold water supply failure
- Snap-on cover over a spindle mechanism that requires a special tool to adjust temperature. The special tool is provided with each valve.
- Supplied with integral poppet style check valves on both inlets to prevent crossflow
- Inlets/outlets: 1/2" copper sweat
- Outlet temperature range: 95 - 120°F (35 - 49°C)
- Hot temperature supply range: 120 - 180°F (49 - 82°C)
- Minimum acceptable temperature differential of hot water inlet to tempered water outlet is 5°F (3°C)
- Working pressure: 145 psi (1,000 kPa) max.
- Pressure difference between hot and cold supply should not exceed $\pm 20\%$
- Maximum flow rate @ 45 psi pressure loss – 11.0 gpm (42 L/min)
- Minimum flow rate @ 45 psi pressure loss – 0.34 gpm (1.29 L/min)



APPROVALS:

- Listed to ASSE 1069, ASSE 1070/ ASME A112.1070/CSA B125.70 and CSA B125.3
- Verified compliant with 0.25% weighted average Pb content regulations

(Contact Delta Representative for State and/or Local Approvals.)



Note: Measurements may vary $\pm 6\text{mm}$ (0.25")

Refer to www.specselect.com for individual models.

Note: Use this page as a product submittal sheet.