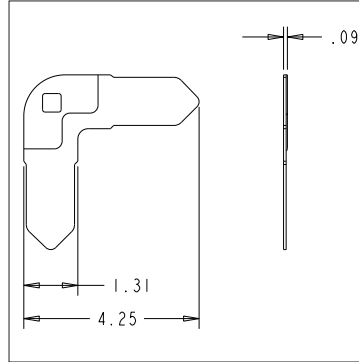


Product Data Sheet



Features

- Tapered ends for easy insertion into flange
- Holds ductwork together in conjunction with the Elgen Flange.
- Provides a sealing surface for the Elgen 440 Butyl Gasket
- Union Made-Yellow Label

Description

The Elgen J Corner is designed to be used with the Elgen J Flange System for rectangular ductwork.

Optional Construction

- Stainless Steel 304
- Stainless Steel 316
- Aluminum
- PCD
- Galvanneal (Paint Grip)
- Agion (Antimicrobial Coating)

Standard Construction

Stamped from 12 GA ASTM A-653 G60 material
Accepts 3/8" carriage bolt
Weight(per box): 78 lbs

Packaging

Box Qty	Skid Qty
250	24,000

Guarantee

All Elgen products are guaranteed by Elgen Manufacturing against defective material.

Elgen Manufacturing
10 Railroad Ave, Closter NJ 07624
Tel: 800.503.9805 :: Fax: 201.964.9030
info@elgenmfg.com :: www.elgenmfg.com