

For Residential and Commercial Applications

Job Name		Engineer / Architect	
Job Location		Wholesaler	
Submittal Date		Contractor	

PSA Series Male Pipe Sweat Adaptor - Male Iron Pipe x Sweat

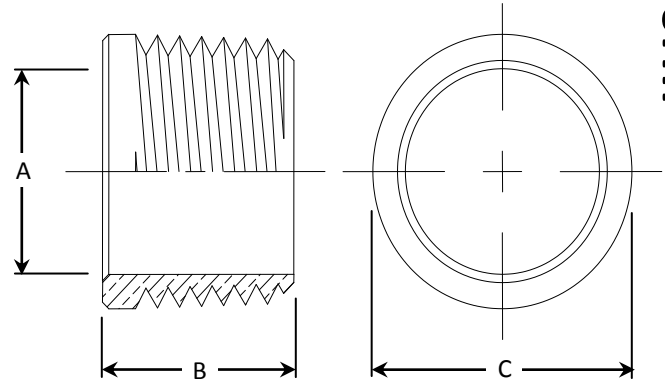
Use: For use with water, grease, fuels, LP and natural gas, refrigeration, instrumentation and hydraulic systems in low and medium pressure pipe line connections. Use in combination with brass, copper and iron pipe

Design Features:

- Easily converts female iron pipe to sweat
- Also meets ASME and ASA requirements
- Available in a range of sizes

Operating Specifications:

- Temperature:** -65° - 250° F
Working Pressure: Up to 1200 PSI
Vibration: Fair resistance to vibration and pipe movement depending on conditions



MATERIAL SPECIFICATIONS	
Fitting body	C36000 brass

PART DIMENSIONS (Inches)			
Model	DIA. A	DIM. B	DIA. C
PSA-8	.630	.62	.84
PSA-12	.880	.75	1.05
PSA-16	1.130	.81	1.31

Part Listing:

- PSA-8 1/2" M.I.P. x 1/2" Nom. Sweat Flush Bushing
- PSA-12 3/4" M.I.P. x 3/4" Nom. Sweat Flush Bushing
- PSA-16 1" M.I.P. x 1" Nom. Sweat Flush Bushing

This specification and all information contained herein is the confidential and exclusive property of BrassCraft Manufacturing, and shall not be disclosed to others without the written consent of BrassCraft. This specification must be returned to BrassCraft if requested.

