

For Residential and Commercial Applications

Job Name		Engineer / Architect	
Job Location		Wholesaler	
Submittal Date		Contractor	

PHN Series HEX Nipples – Male Iron Pipe x Male Iron Pipe

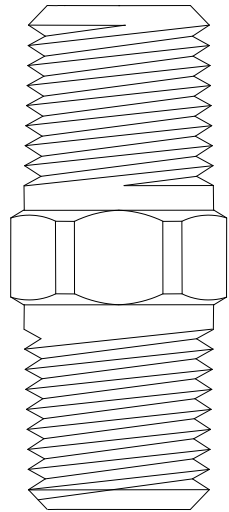
Use: For use with water, grease, fuels, LP and Natural Gas, refrigeration, instrumentation and hydraulic systems in low and medium pressure pipe line connections. Use in combination with brass, copper and iron pipe.

Design Features:

- Designed and manufactured to SAE (Society of Automotive Engineers) thread standards – SAE 130137 (*denotes non-SAE)
- Also meet ASME and ASA requirements
- Available in a broad range of sizes

Operating Specifications:

Temperature: -65° - 250° F
Working Pressure: up to 1200 PSI
Vibration: fair resistance to vibration and pipe movement depending on conditions



MATERIAL SPECIFICATIONS	
Fitting body	C36000 brass

Part Listing:

- PHN-2 1/8" M.I.P. x 1/8" M.I.P.
- PHN-2 B 1/8" M.I.P. x 1/8" M.I.P., bulk
- PHN-4-2 1/4" M.I.P. x 1/8" M.I.P.
- PHN-4-2 B 1/4" M.I.P. x 1/8" M.I.P., bulk
- PHN-4 1/4" M.I.P. x 1/4" M.I.P.
- PHN-4 B 1/4" M.I.P. x 1/4" M.I.P., bulk
- PHN-6-2 3/8" M.I.P. x 1/8" M.I.P.
- PHN-6-2 B 3/8" M.I.P. x 1/8" M.I.P., bulk
- PHN-6-4 3/8" M.I.P. x 1/4" M.I.P.
- PHN-6-4 B 3/8" M.I.P. x 1/4" M.I.P., bulk
- PHN-6 3/8" M.I.P. x 3/8" M.I.P.
- PHN-6 B 3/8" M.I.P. x 3/8" M.I.P., bulk
- PHN-8-4 1/2" M.I.P. x 1/4" M.I.P.
- PHN-8-4 B 1/2" M.I.P. x 1/4" M.I.P., bulk

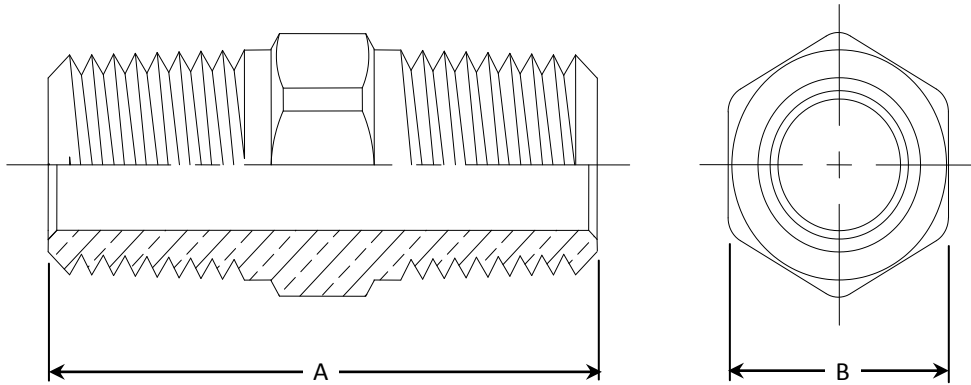
This specification and all information contained herein is the confidential and exclusive property of BrassCraft Manufacturing, and shall not be disclosed to others without the written consent of BrassCraft. This specification must be returned to BrassCraft if requested.



PHN Series HEX Nipples – Male Iron Pipe x Male Iron Pipe

Part Listing (con't):

- PHN-8-6 1/2" M.I.P. x 3/8" M.I.P.
- PHN-8-6 B 1/2" M.I.P. x 3/8" M.I.P., bulk
- PHN-8 1/2" M.I.P. x 1/2" M.I.P.
- PHN-8 B 1/2" M.I.P. x 1/2" M.I.P., bulk
- PHN-12* 3/4" M.I.P. x 3/4" M.I.P.
- PHN-12 B* 3/4" M.I.P. x 3/4" M.I.P., bulk



PART DIMENSIONS (Inches)		
Model	DIM. A	HEX. B
PHN-2	.97	7/16
PHN-4-2	1.19	9/16
PHN-4	1.38	9/16
PHN-6-2	1.22	11/16
PHN-6-4	1.41	11/16
PHN-6	1.41	11/16
PHN-8-4	1.62	7/8
PHN-8-6	1.62	7/8
PHN-8	1.81	7/8
PHN-12	1.56	1-1/16

This specification and all information contained herein is the confidential and exclusive property of BrassCraft Manufacturing, and shall not be disclosed to others without the written consent of BrassCraft. This specification must be returned to BrassCraft if requested.

BrassCraft®