

**For Residential and Commercial Applications**

Job Name		Engineer / Architect	
Job Location		Wholesaler	
Submittal Date		Contractor	

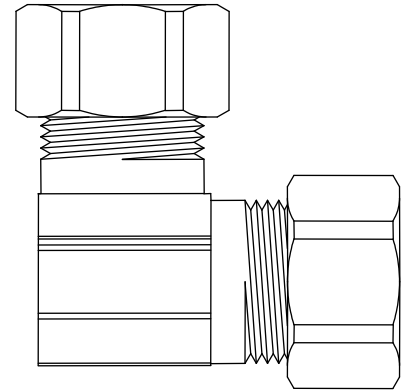
## 65 Series Compression x Compression Elbows

**Use:** For use with potable and non-potable water, instrumentation, hydraulic, and pneumatic systems. Designed for use with aluminum, copper, and plastic tubing\*. Not intended for use with steel tubing.

\* Plastic tubing requires a plastic insert and a sleeve (see 60PT & 63PT submittal forms for details)

**Design Features:**

- **Little to no tube preparation.** Compression fittings do not require flaring, soldering or other types of tube preparation
- **Available in a broad range of sizes**
- **No-lead available**



**Operating Specifications:**

**Temperature:** -65° - 250° F at maximum operating pressures

**Working Pressure:** See chart below

**Vibration:** Fair vibration resistance

<b>WORKING PRESSURE</b>		
PSI	Tube O.D.	Tube Wall (Inches)
400	1/8	0.030
400	3/16	0.030
300	1/4	0.030
300	5/16	0.032
200	3/8	0.032
200	1/2	0.032
150	5/8	0.035
100	3/4	0.035
75	7/8	0.035



**Standard Product**

<b>MATERIAL SPECIFICATIONS</b>	
<b>Fitting Body</b>	Brass
<b>Compression Sleeve</b>	Brass
<b>Compression Nut</b>	Brass
<b>Option</b>	Chrome plating

**Standard Part Listing:**

- 65-2                    1/8" OD Tube, both ends
- 65-2-1 B                1/8" OD Tube, both ends - body only, bulk

*This specification and all information contained herein is the confidential and exclusive property of BrassCraft Manufacturing, and shall not be disclosed to others without the written consent of BrassCraft Mfg. This specification must be returned to BrassCraft Mfg. if requested.*

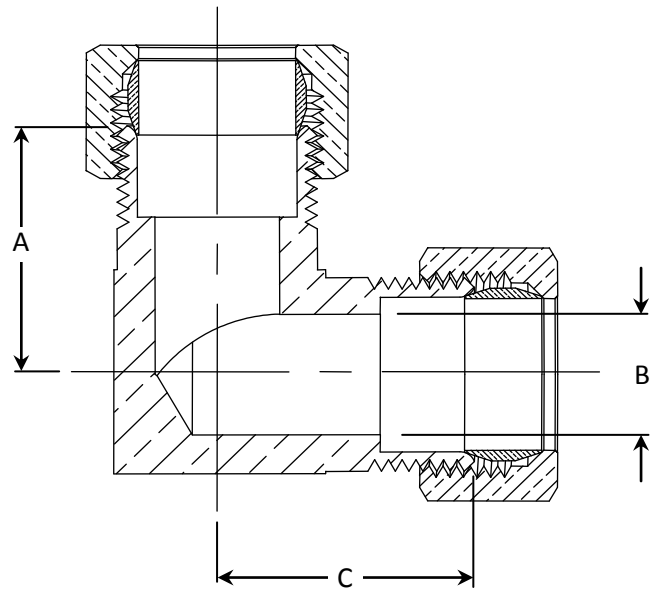


# 65 Series Compression x Compression Elbows

## Standard Part Listing (con't):

- 65-3            3/16" OD Tube, both ends
- 65-3-1 B       3/16" OD Tube, both ends - body only, bulk
- 65-4            1/4" OD Tube, both ends
- 65-4 B          1/4" OD Tube, both ends, bulk
- 65-4-1 B       1/4" OD Tube, both ends - body only, bulk
- 65-5            5/16" OD Tube, both ends
- 65-5-1 B       5/16" OD Tube, both ends - body only, bulk
- 65-6            3/8" OD Tube, both ends
- 65-6 B          3/8" OD Tube, both ends, bulk
- 65-6 C          3/8" OD Tube, both ends, chrome plated
- 65-6-1 B       3/8" OD Tube, both ends - body only, bulk
- 65-6-1 CB      3/8" OD Tube, both ends - body only, chrome plated, bulk
- 65-8            1/2" OD Tube, both ends
- 65-8 B          1/2" OD Tube, both ends, bulk
- 65-8 C          1/2" OD Tube, both ends, chrome plated
- 65-8-1 B       1/2" OD Tube, both ends - body only, bulk
- 65-10           5/8" OD Tube, both ends
- 65-10 B        5/8" OD Tube, both ends, bulk
- 65-10 C        5/8" OD Tube, both ends, chrome plated
- 65-10-1 B     5/8" OD Tube, both ends - body only, bulk
- 65-14           7/8" OD Tube, both ends

<b>PART DIMENSIONS (Inches)</b>			
<b>Model</b>	<b>DIM. A</b>	<b>DIA. B</b>	<b>DIM. C</b>
65-2	.61	.09	.61
65-3	.61	.12	.61
65-4	.60	.18	.60
65-5	.67	.25	.67
65-6	.73	.31	.73
65-8	.92	.41	.92
65-10	1.04	.50	1.04
65-14	1.25	.75	1.25



*This specification and all information contained herein is the confidential and exclusive property of BrassCraft Manufacturing, and shall not be disclosed to others without the written consent of BrassCraft Mfg. This specification must be returned to BrassCraft Mfg. if requested.*

**BrassCraft**®