


For Residential and Commercial Applications

Job Name		Engineer / Architect	
Job Location		Wholesaler	
Submittal Date		Contractor	

120 Series Female Iron Pipe x Male Iron Pipe Adaptors

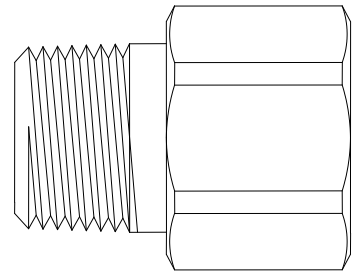
Use: For use with water, grease, fuels, LP and Natural Gas, refrigeration, instrumentation, and hydraulic systems in low and medium pressure pipe line connections. Use in combination with brass, copper, and iron pipe.

Design Features:

- **Designed and manufactured to SAE** (Society of Automotive Engineers) **thread standards** – SAE 130139
- **Also meet ASME and ASA requirements**
- **Available in a broad range of sizes**
-  **No Lead**

Operating Specifications:

- Temperature:** -65° - 250° F
- Working Pressure:** up to 1200 PSI
- Vibration:** fair resistance to vibration and pipe movement depending on conditions



Standard Product

MATERIAL SPECIFICATIONS	
Body	Brass

No-Lead Product

MATERIAL SPECIFICATIONS	
Body	No-lead brass

Standard Part Listing:

- | | | |
|--------------------------|-----------|---------------------------|
| <input type="checkbox"/> | 120-2 | 1/8" FIP x 1/8" MIP |
| <input type="checkbox"/> | 120-2 B | 1/8" FIP x 1/8" MIP, bulk |
| <input type="checkbox"/> | 120-4-2 | 1/4" FIP x 1/8" MIP |
| <input type="checkbox"/> | 120-4-2 B | 1/4" FIP x 1/8" MIP, bulk |
| <input type="checkbox"/> | 120-4 | 1/4" FIP x 1/4" MIP |
| <input type="checkbox"/> | 120-4 B | 1/4" FIP x 1/4" MIP, bulk |
| <input type="checkbox"/> | 120-6-2 | 3/8" FIP x 1/8" MIP |
| <input type="checkbox"/> | 120-6-2 B | 3/8" FIP x 1/8" MIP, bulk |
| <input type="checkbox"/> | 120-6-4 | 3/8" FIP x 1/4" MIP |
| <input type="checkbox"/> | 120-6-4 B | 3/8" FIP x 1/4" MIP, bulk |
| <input type="checkbox"/> | 120-6 | 3/8" FIP x 3/8" MIP |
| <input type="checkbox"/> | 120-6 B | 3/8" FIP x 3/8" MIP, bulk |
| <input type="checkbox"/> | 120-8-4 | 1/2" FIP x 1/4" MIP |
| <input type="checkbox"/> | 120-8-4 B | 1/2" FIP x 1/4" MIP, bulk |
| <input type="checkbox"/> | 120-8-6 | 1/2" FIP x 3/8" MIP |
| <input type="checkbox"/> | 120-8-6 B | 1/2" FIP x 3/8" MIP, bulk |

This specification and all information contained herein is the confidential and exclusive property of BrassCraft Manufacturing Co., and shall not be disclosed to others without the written consent of BrassCraft Mfg. Co. This specification must be returned to BrassCraft Mfg. Co. if requested.



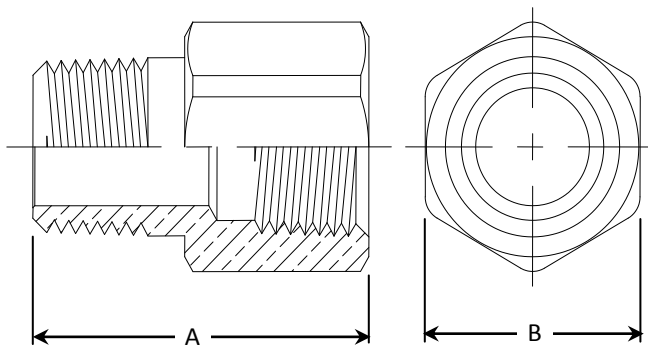
120 Series Female Iron Pipe x Male Iron Pipe Adaptors

Standard Part Listing (con't):

- 120-8-6S B 1/2" FIP x 3/8" MIP, fitting SAE approved, bulk
- 120-8 1/2" FIP x 1/2" MIP
- 120-8 B 1/2" FIP x 1/2" MIP, bulk
- 120-8 K150 1/2" FIP x 1/2" MIP, case of 150
- 120-12-6 B 3/4" FIP x 3/8" MIP, bulk
- 120-12-8 3/4" FIP x 1/2" MIP
- 120-12-8 B 3/4" FIP x 1/2" MIP, bulk
- 120-12 3/4" FIP x 3/4" MIP
- 120-12 B 3/4" FIP x 3/4" MIP, bulk

No-Lead Part Listing (con't):

- 120-2X 1/8" FIP x 1/8" MIP
- 120-2X B 1/8" FIP x 1/8" MIP, bulk
- 120-4-2X 1/4" FIP x 1/8" MIP
- 120-4-2X B 1/4" FIP x 1/8" MIP, bulk
- 120-4X 1/4" FIP x 1/4" MIP
- 120-4X B 1/4" FIP x 1/4" MIP, bulk
- 120-6-2X 3/8" FIP x 1/8" MIP
- 120-6-2X B 3/8" FIP x 1/8" MIP, bulk
- 120-8-4X 1/2" FIP x 1/4" MIP
- 120-8-4X B 1/2" FIP x 1/4" MIP, bulk
- 120-8-6X 1/2" FIP x 3/8" MIP
- 120-8-6X B 1/2" FIP x 3/8" MIP, bulk
- 120-8X 1/2" FIP x 1/2" MIP
- 120-8X B 1/2" FIP x 1/2" MIP, bulk
- 120-12-8X 3/4" FIP x 1/2" MIP
- 120-12-8X B 3/4" FIP x 1/2" MIP, bulk



PART DIMENSIONS (Inches)		
Model	DIM. A	HEX. B
120-2	.88	9/16
120-4-2	1.06	3/4
120-4	1.25	3/4
120-6-2	1.07	7/8
120-6-4	1.25	7/8
120-6	1.25	7/8
120-8-4	1.47	1-1/16
120-8-6	1.34	1
120-8-6S	1.47	1-1/16
120-8	1.66	1-1/16
120-12-6	1.50	1-3/8
120-12-8	1.69	1-3/8
120-12	1.69	1-3/8

Listings & Certifications:

- No-Lead product CSA listed to Low Lead Content Certification Program – Plumbing Products Class 6853-01

This specification and all information contained herein is the confidential and exclusive property of BrassCraft Manufacturing Co., and shall not be disclosed to others without the written consent of BrassCraft Mfg. Co. This specification must be returned to BrassCraft Mfg. Co. if requested.



BrassCraft®