

K

SMITH® JAY R. SMITH MFG. CO.®
 MEMBER OF MORRIS GROUP INTERNATIONAL
 POST OFFICE BOX 3237
 MONTGOMERY, ALABAMA 36109-0237 (USA)
 TEL: 334-277-8520 FAX: 334-272-7396 www.jrsmith.com

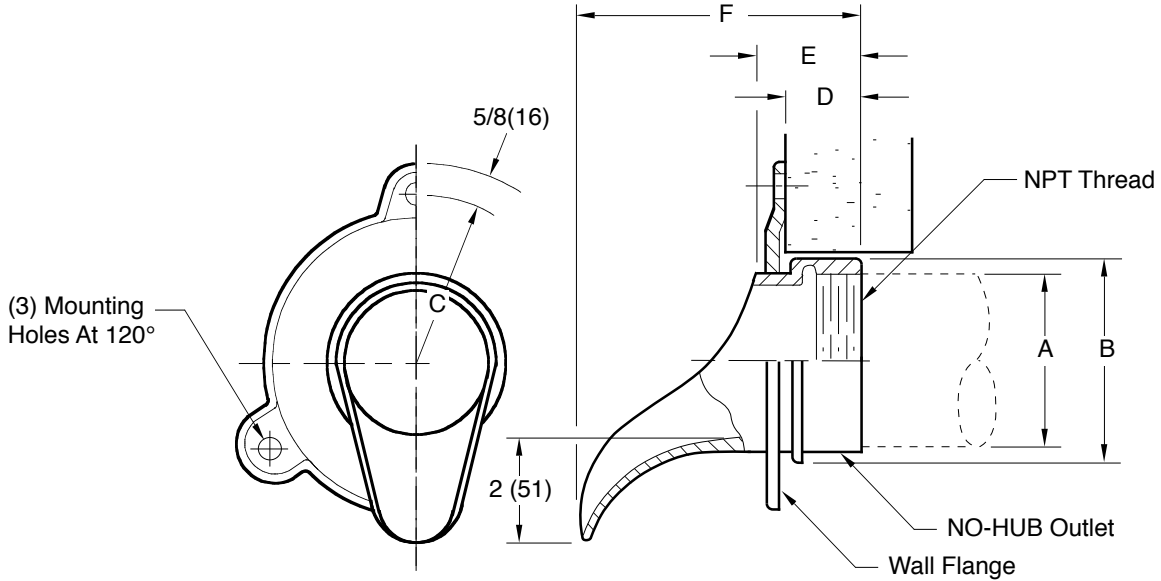


LOCATION

ROOF ACCESSORY

DOWNSPOUT NOZZLE

FUNCTION: Used as a parapet overflow or at the base of a wall where a concealed leader discharges rainwater to ground. Nozzle design diverts water away from building, eliminating wall stains. Wall flange covers rough opening and serves as anchor.



NOTE: For ADA Compliant See Fig. 1770-ADA

Fig. 1770T.....Threaded Outlet
 Fig. 1770Y.....NO-HUB Outlet 02(50), 03(75), 04(100) and 06(150)
 ** When -NB is specified with NO-HUB outlet, ALL SIZES will be supplied with a 2646Y NO-HUB adaptor.

A=PIPE	02(50)	03(75)	04(100)	05(125)	06T(150)	06Y(150)	08(200)	10(255)	12(305)
B=DIA	2 3/4 (70)	4 (100)	5 (125)	6 (150)	7 1/4 (185)	7 1/4 (185)	9 1/4 (235)	11 1/8 (283)	13 1/4 (335)
C=RAD	2 3/4 (70)	3 1/2 (89)	3 7/8 (98)	4 3/8 (111)	5 (125)	5 (125)	5 7/8 (149)	7 1/4 (185)	8 (205)
D	1 3/8 (35)	1 3/8 (35)	1 3/8 (35)	1 3/8 (35)	1 3/8 (35)	1 13/16 (46)	1 5/8 (41)	1 3/4 (44)	2 (51)
E	2 1/16 (52)	2 1/16 (52)	2 1/16 (52)	2 1/16 (52)	2 1/16 (52)	2 1/2 (64)	2 3/8 (60)	2 3/4 (70)	2 15/16 (75)
F	5 5/8 (143)	5 5/8 (143)	5 5/8 (143)	5 5/8 (143)	5 5/8 (143)	6 1/4 (160)	5 15/16 (149)	5 3/8 (138)	7 9/16 (192)

REGULARLY FURNISHED:
 Cast Bronze Nozzle and Flange.

VARIATIONS:
 Bird Screen -BS
 * NO-HUB Adaptor (specify Fig. 2646Y)
 [5"(125), 8"(200), 10"(255) and 12"(305) only]

OPTIONAL MATERIALS:
 ** Nickel Bronze -NB
 Polished Bronze -PB
 Chrome Plated -CP

NOTE: Dimensions shown in parentheses are in millimeters.

DRAWING NUMBER
S1770

SIZE
A

SCALE:
NONE

DATE:
2-25-85

APPROVED BY:
JD

CHECKED BY:
JD

DRAWN BY:
CR

1770

WE CAN ASSUME NO RESPONSIBILITY FOR USE OF SUPERSEDED OR VOID DATA

DIMENSIONS ARE SUBJECT TO MANUFACTURERS TOLERANCE AND CHANGE WITHOUT NOTICE

K	8-30-19	Rev. Opt. Mat./Added Note **	MW	CL	WEIGHT POUNDS	VOLUME CUBIC FEET	FIGURE NUMBER 1770
J	10-18-18	Added Note ADA Compliant	TBW	CL			
H	5-26-16	Rev. Optional Materials	TBW	TK			
G	01/14/11	Added NO-HUB Outlet	JJ	TK			
REV.	DATE	DESCRIPTION	BY	CKD. BY			