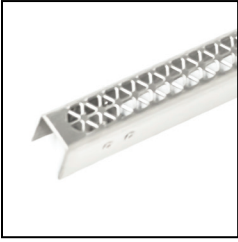


# ID Infinity Drain



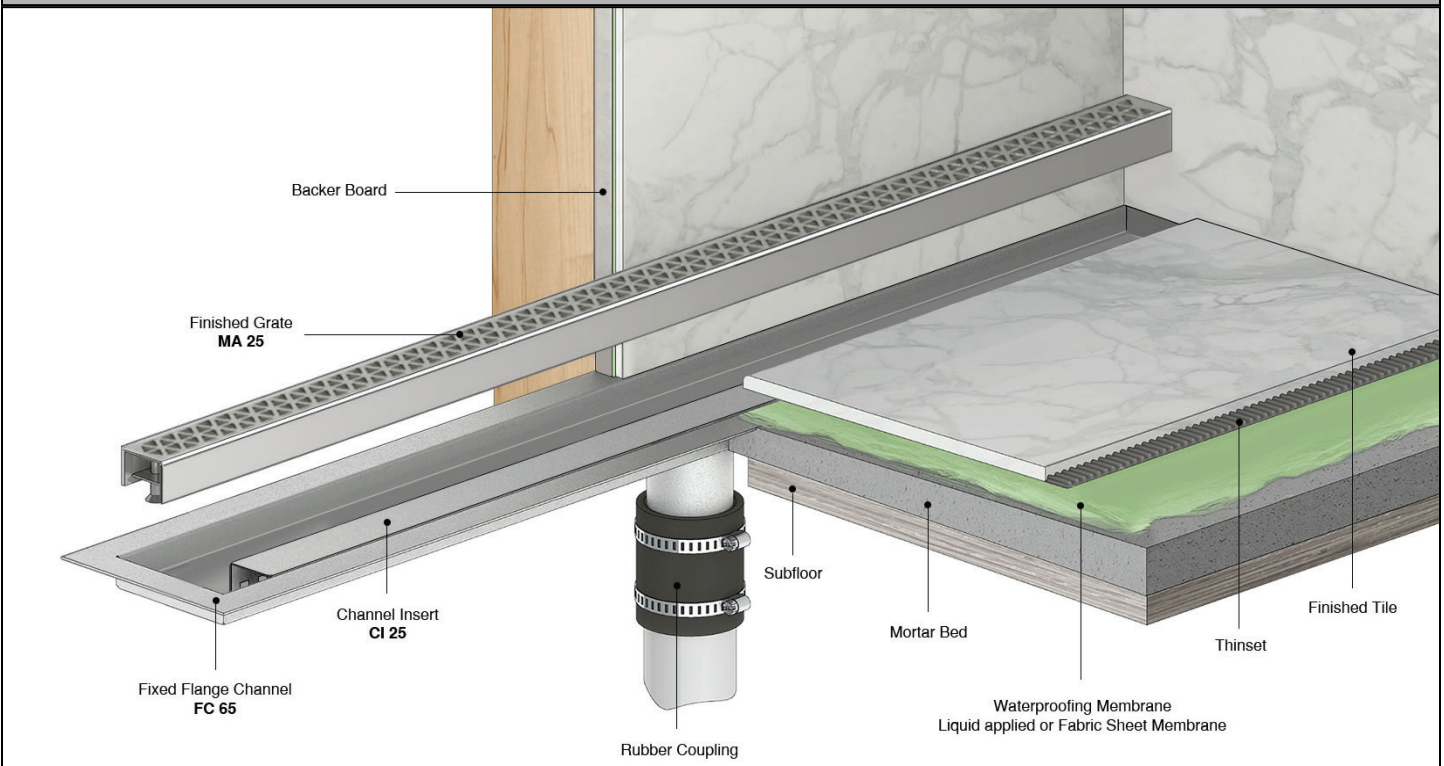
## FFMN 25 Series Fixed Flange

- FFMN 2532 - 32" Complete Kit
- FFMN 2536 - 36" Complete Kit
- FFMN 2542 - 42" Complete Kit
- FFMN 2548 - 48" Complete Kit
- FFMN 2560 - 60" Complete Kit

### Features

- Fixed flange with centered outlet location
- Indoor or outdoor use
- 16 gauge, 304L stainless steel grate and channel
- Pre - pitched channel
- Grate can be removed for cleaning
- NOT Site Sizable™
- Compatible with: liquid applied or fabric sheet membranes
- Flow rate - 9 gpm per outlet
  - Flow rate measured at outlet only. Measurement does not account for water in channel or sheeting on shower floor.
  - Additional outlets can be added and combined into a larger waste line to increase flow rates

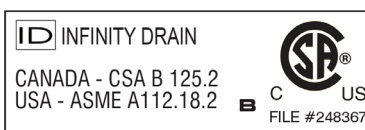
### Installation



### Care & Maintenance

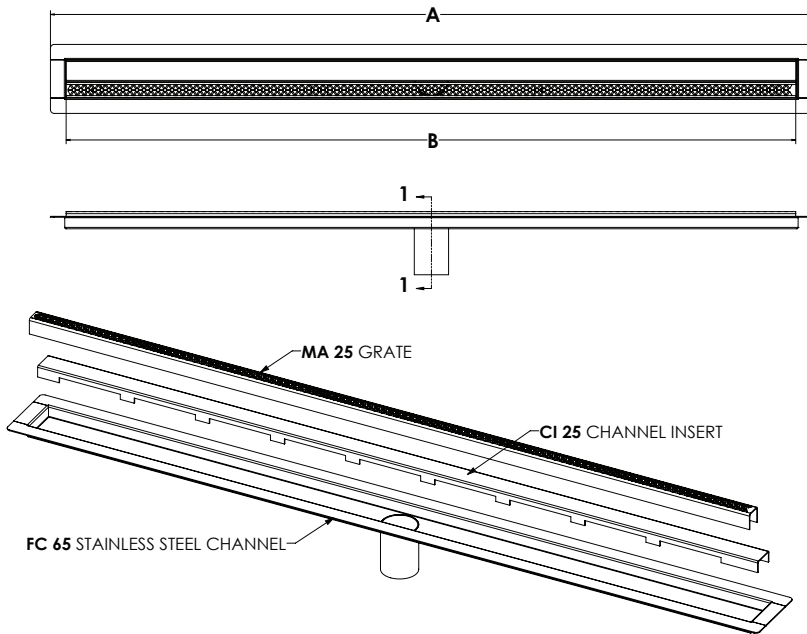
FFMN 25 stainless steel linear drain top grates are made of 304L stainless steel. This material is non-porous, hygienic, rust-free and extremely durable. Bar Keepers Friend® and Soft Scrub® are commonly available products that can be used to protect and clean your Satin Stainless drain cover. For stains that have been left for an excessive amount of time, stronger cleaning agents such as Steel Brite® may be needed. For Polished Stainless and other finishes we recommend a mild soap and a soft cloth for cleaning. DO NOT use any abrasive cleaners, scrub pads or all household cleaning agents, such as bleach, to sit on the drain cover for a long period of time. Stainless steel does not rust. External factors, such as contamination from other highly ferrous metals, built up road salt, sea salt, or chlorine may have caused "surface" rust which can be removed using Barkeepers Friend®, Soft Scrub® with Bleach, or Steel Brite®. Always follow the directions on the bottle. Follow proper maintenance procedures to prevent excessive surface rust. In areas of frequent exposure to salt, chlorine, and other chemical compounds, maintenance of the stainless grates should be performed at least 2-3 times per year.

**Infinity Drain**  
145 Dixon Avenue  
Amityville, NY 11701  
Phone: 516.767.6786  
Fax: 516.740.3066  
www.Infinity Drain.com

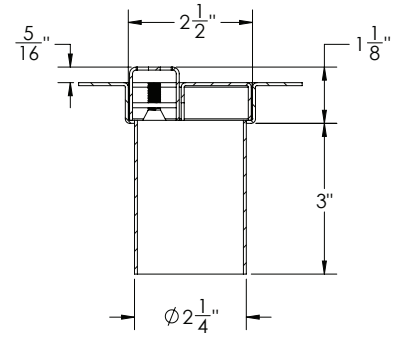


NOTE: Installer must verify all rough-in dimensions prior to installation and consult local and national codes. Conformity and compliance to local and national codes are the responsibility of the installer.

# ID Infinity Drain



Grate can be adjusted upwards an additional 1/2"



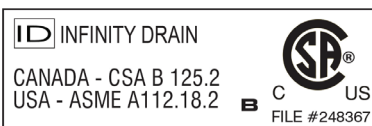
**SECTION 1-1**

Model Number	Complete Kit Contents	A (Maximum Overall Length)	B (Maximum Grate Length)
<input type="checkbox"/> FFMN 2532	1 - MA 2532 Grate 1 - FC 6532 Fixed Flange Channel 1 - CI 2532 Channel Insert 1 - DKEY Lift Out Key	34 1/8"	31 7/8"
<input type="checkbox"/> FFMN 2536	1 - MA 2536 Grate 1 - FC 6536 Fixed Flange Channel 1 - CI 2536 Channel Insert 1 - DKEY Lift Out Key	38 1/8"	35 7/8"
<input type="checkbox"/> FFMN 2542	1 - MA 2542 Grate 1 - FC 6542 Fixed Flange Channel 1 - CI 2542 Channel Insert 1 - DKEY Lift Out Key	44 1/8"	41 7/8"
<input type="checkbox"/> FFMN 2548	1 - MA 2548 Grate 1 - FC 6548 Fixed Flange Channel 1 - CI 2548 Channel Insert 1 - DKEY Lift Out Key	50 1/8"	47 7/8"
<input type="checkbox"/> FFMN 2560	1 - MA 2560 Grate 1 - FC 6560 Fixed Flange Channel 1 - CI 2560 Channel Insert 1 - DKEY Lift Out Key	62 1/8"	59 7/8"

## Finishes

Satin Stainless    Polished Stainless    Matte White    Matte Black    Satin Bronze    Lifetime Oil Rubbed Bronze

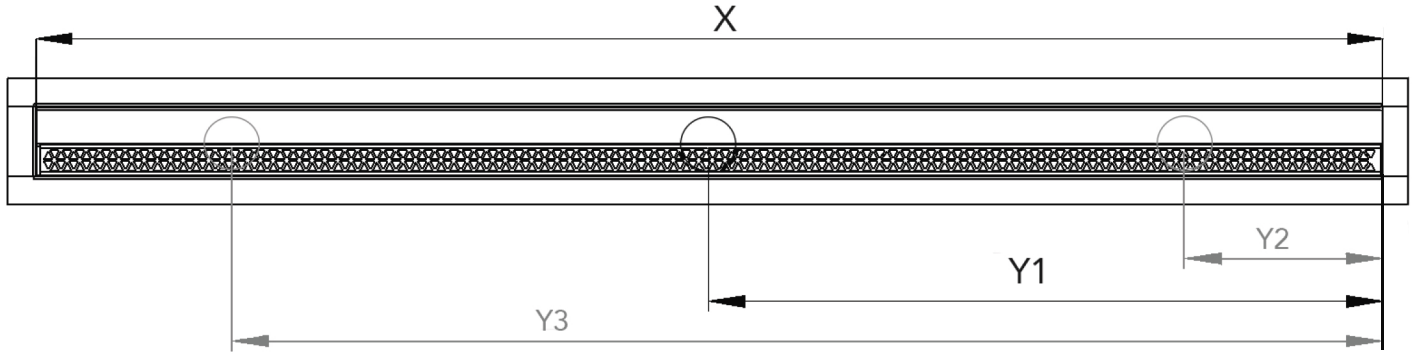
**Infinity Drain**  
145 Dixon Avenue  
Amityville, NY 11701  
Phone: 516.767.6786  
Fax: 516.740.3066  
www.InfinityDrain.com



NOTE: Installer must verify all rough-in dimensions prior to installation and consult local and national codes. Conformity and compliance to local and national codes are the responsibility of the installer.

# ID Infinity Drain

FFMN 25 CUSTOM



- Satin Stainless   
  Polished Stainless   
  Oil Rubbed Bronze   
  Matte White   
  Matte Black   
  Satin Bronze

**X: LENGTH:** Overall Inside Channel Dimension (inches): \_\_\_\_\_

Desired finished dimension  
For lengths greater than 60", multiple grates are supplied, unless otherwise noted.

**Y: OUTLET LOCATION:** \_\_\_\_\_ # of outlets | Center of Outlet(s) to right edge: Y1 \_\_\_\_\_ Y2 \_\_\_\_\_ Y3 \_\_\_\_\_

**RUSH:** Yes \_\_\_\_\_ NO \_\_\_\_\_

Rush charge applied per set-up. Turnaround is 7 business days, plus shipping. (Rush does not apply to some custom designs, please contact Infinity Drain for details)

**Customer:** \_\_\_\_\_

**Job Name:** \_\_\_\_\_

**Approved by:** \_\_\_\_\_

**Date:** \_\_\_\_\_

**Infinity Drain**  
145 Dixon Avenue  
Amityville, NY 11701  
Phone: 516.767.6786  
Fax: 516.740.3066  
www.InfinityDrain.com



NOTE: Installer must verify all rough-in dimensions prior to installation and consult local and national codes. Conformity and compliance to local and national codes are the responsibility of the installer.