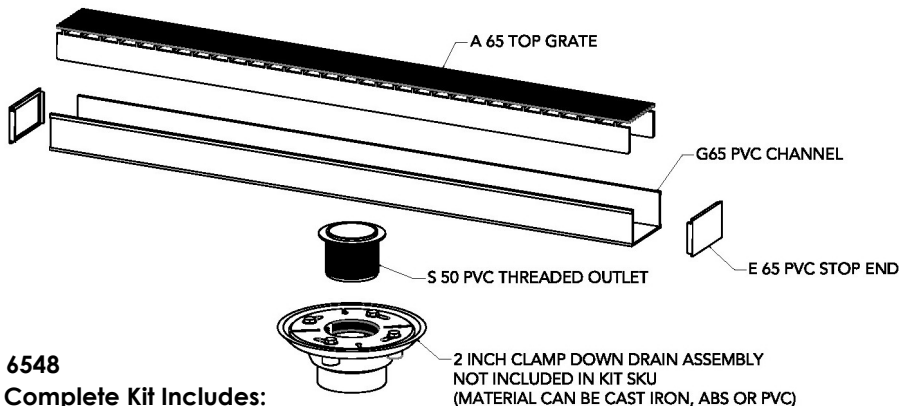
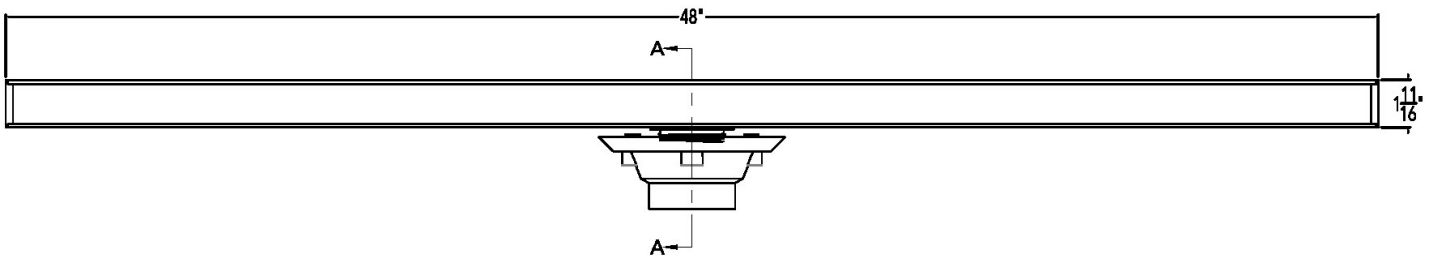
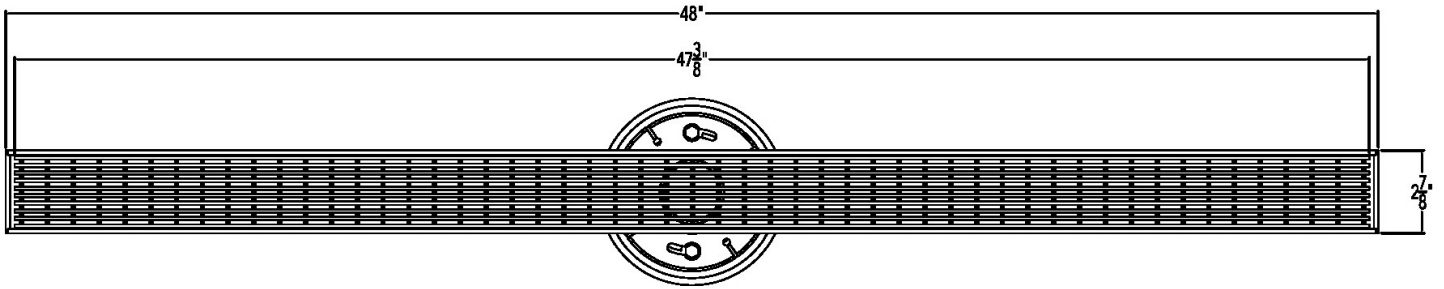


S-AG 6548 Specifications

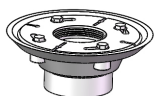


AG 6548
48" Complete Kit Includes:
 (48 1/8" l x 2 7/8" w x 1 5/8" h)

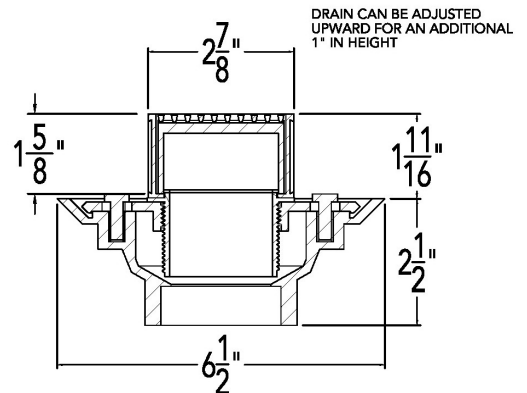
- 1 - A 6548 Stainless Steel Grate
- 1 - G 6548 PVC Channel
- 2 - E 65 End Section
- 1 - S50 Treaded Outlet

Add Clamp Down Drain:

- CDA 22 Clamp Down Drain ABS
- CDI 22 Clamp Down Drain Cast Iron
- CDP 22 Clamp Down Drain PVC



2" clamp down drain not included in kit



SECTION A-A

Note: Installer must verify all rough-in dimensions prior to installation and consult local and national codes. Conformity and compliance to local and national codes are the responsibility of the installer.

Infinity Drain
 18 Secatoag Avenue
 Port Washington, NY 11050
 Phone: 516.767.6786
 Fax: 516.740.3066
 www.InfinityDrain.com

