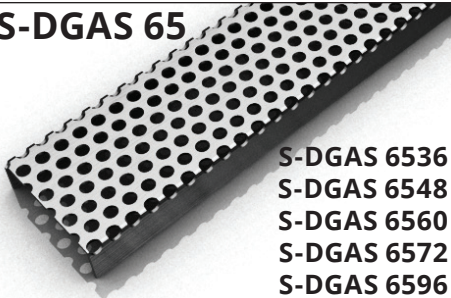


S-DGAS 65



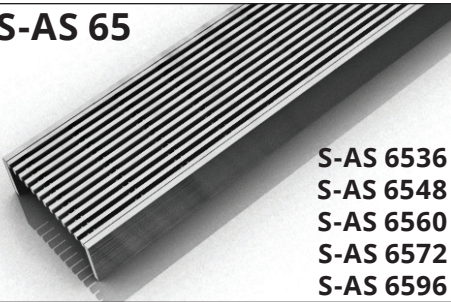
S-DGAS 6536
S-DGAS 6548
S-DGAS 6560
S-DGAS 6572
S-DGAS 6596

S-DGAS 99
High Flow



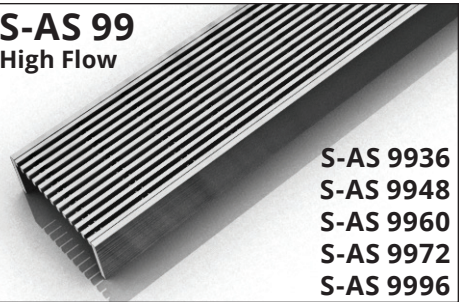
S-DGAS 9936
S-DGAS 9948
S-DGAS 9960
S-DGAS 9972
S-DGAS 9996

S-AS 65



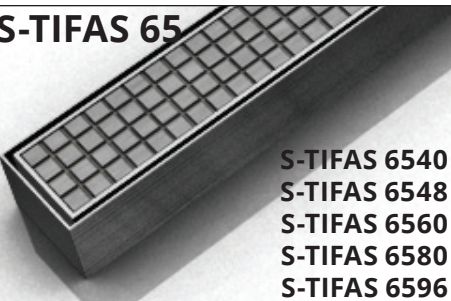
S-AS 6536
S-AS 6548
S-AS 6560
S-AS 6572
S-AS 6596

S-AS 99
High Flow



S-AS 9936
S-AS 9948
S-AS 9960
S-AS 9972
S-AS 9996

S-TIFAS 65



S-TIFAS 6540
S-TIFAS 6548
S-TIFAS 6560
S-TIFAS 6580
S-TIFAS 6596

S-TIFAS 99
High Flow

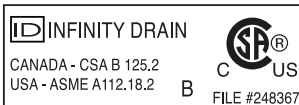
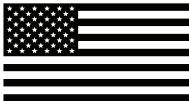


S-TIFAS 9940
S-TIFAS 9948
S-TIFAS 9960
S-TIFAS 9980
S-TIFAS 9996

The Site Sizeable Series intended for use with traditional waterproofing methods:

- Hot Mop
- Copper Pan
- Rubber Liner (Chloraloy®)
- PVC Liner
- Lead Pan
- Fiberglass

Made in the U.S.A.



Infinity Drain • 145 Dixon Avenue, Amityville, New York 11701
Phone 516.767.6786 • Fax 516.740.3066 • www.InfinityDrain.com

Dimension are subject to Manufacturers tolerance and change without notice. We can assume no responsibility for use of superseded or void data.

Las dimensiones están sujetos a la tolerancia del fabricante y cambio sin previo aviso. No podemos asumir ninguna responsabilidad por el uso de datos a sustituir los nulos.

Series Components:

SS = Stainless Steel

S-AS 65 Series	
SA 6536	36" SS Grate
SA 6548	48" SS Grate
SA 6560	60" SS Grate
LC 6528	28" SS Closed Ended Channel
LC 6540	40" SS Closed Ended Channel
LC 6552	52" SS Closed Ended Channel
LC 6564	64" SS Closed Ended Channel
LC 6588	88" SS Closed Ended Channel
LF 65	8" SS Outlet Section
GJS 65	SS Joiner Strip
TNAS	SS Threaded Nipple
ZSIKA	Sikaflex 1a Construction Sealant
HS 2	2" Hair Strainer

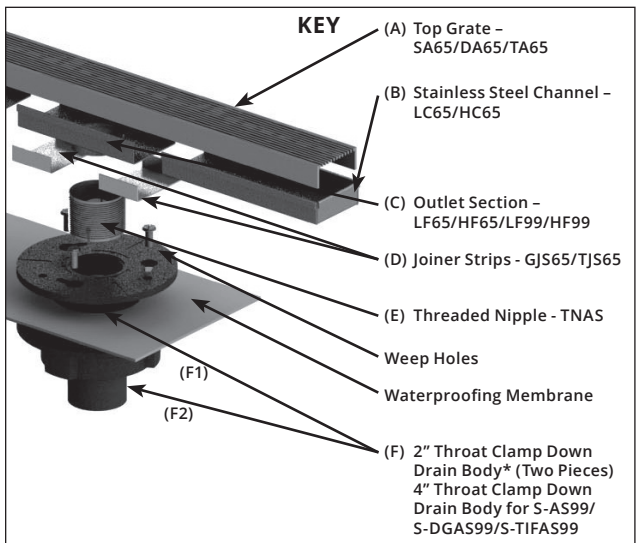
S-DGAS 65 Series	
DA 6536	36" SS Grate
DA 6548	48" SS Grate
DA 6560	60" SS Grate
LC 6528	28" SS Closed Ended Channel
LC 6540	40" SS Closed Ended Channel
LC 6552	52" SS Closed Ended Channel
LC 6564	64" SS Closed Ended Channel
LC 6588	88" SS Closed Ended Channel
LF 65	8" SS Outlet Section
GJS 65	SS Joiner Strip
TNAS	SS Threaded Nipple
ZSIKA	Sikaflex 1a Construction Sealant
HS 2	2" Hair Strainer

S-TIFAS 65 Series	
TA 6540	40" SS Grate
TA 6548	48" SS Grate
TA 6560	60" SS Grate
HC 6532	32" SS Closed Ended Channel
HC 6540	40" SS Closed Ended Channel
HC 6552	52" SS Closed Ended Channel
HC 6572	72" SS Closed Ended Channel
HC 6588	88" SS Closed Ended Channel
HF 65	8" SS Outlet Section
TJS 65	SS Joiner Strip
TNAS	SS Threaded Nipple
HS 2	2" Hair Strainer
TIF PL	TIF Plates
TKEY	Lift Out Key
ZSIKA	Sikaflex 1a Construction Sealant

S-AS 99 Series	
SA 6536	36" SS Grate
SA 6548	48" SS Grate
SA 6560	60" SS Grate
LC 6528	28" SS Closed Ended Channel
LC 6540	40" SS Closed Ended Channel
LC 6552	52" SS Closed Ended Channel
LC 6564	64" SS Closed Ended Channel
LC 6588	88" SS Closed Ended Channel
LF 99	8" SS Outlet Section
GJS 65	SS Joiner Strip
ZSIKA	Sikaflex 1a Construction Sealant
CDI43W	Cast Iron Drain Body
HS 2	2" Hair Strainer

S-DGAS 99 Series	
DA 6536	36" SS Grate
DA 6548	48" SS Grate
DA 6560	60" SS Grate
LC 6528	28" SS Closed Ended Channel
LC 6540	40" SS Closed Ended Channel
LC 6552	52" SS Closed Ended Channel
LC 6564	64" SS Closed Ended Channel
LC 6588	88" SS Closed Ended Channel
LF 99	8" SS Outlet Section
GJS 65	SS Joiner Strip
ZSIKA	Sikaflex 1a Construction Sealant
CDI43W	Cast Iron Drain Body
HS 2	2" Hair Strainer

S-TIFAS 99 Series	
TA 6540	40" SS Grate
TA 6548	48" SS Grate
TA 6560	60" SS Grate
HC 6532	32" SS Closed Ended Channel
HC 6540	40" SS Closed Ended Channel
HC 6552	52" SS Closed Ended Channel
HC 6572	72" SS Closed Ended Channel
HC 6588	88" SS Closed Ended Channel
HF 99	8" SS Outlet Section
TJS 65	SS Joiner Strip
TIF PL	TIF Plates
TKEY	Lift Out Key
ZSIKA	Sikaflex 1a Construction Sealant
CDI43W	Cast Iron Drain Body



*Not provided by Infinity Drain kits

Note: Installer must verify all rough-in dimensions prior to installation and consult local and national codes. Conformity and compliance to local and national codes are the responsibility of the installer.

Tenga en cuenta: Instalador debe comprobar todas las dimensiones en las partes previa a la instalación y consultar localmente y nacionalmente los códigos. La conformidad y el cumplimiento de códigos local y nacional es responsabilidad del instalador.

S-DGAS65/S-AS65/S-TIFAS65 kits: DO NOT include the mechanically fastening clamp down drain due to the variance of material by local code. This is a residential drain that is available through *Infinity Drain* or your local plumbing supply from various manufacturers (i.e. Oatey®, Sioux Chief™, JSC™, PROFLO™, Matco-Norca™).

S-DGAS99/S-AS99/S-TIFAS99 kits are provided with a (CDI43W) Cast Iron mechanically fastening clamp down drain body. This item can be substituted for an ABS or PVC drain body (CDA 43/CDP 43).

S-DGAS65/S-AS65/S-TIFAS65 kits: NO INCLUIE la sujeción mecánica del drenaje por la razón que varía el material de código local. Este drenaje es residencial que está disponible a través de Infinity Drain o su local suministro de plomería de diversos fabricantes. (i.e. Oatey®, Sioux Chief™, JSC™, PROFLO™, Matco-Norca™).

S-DGAS99/S-AS99/S-TIFAS99 kits son proveído con (CDI 43 W) drenaje en hierro fundido. Este artículo puede ser sustituto en ABS en plástico, o PVC. (CDA 42/CDP 42/CDA 43/CDP 43).

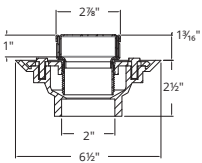
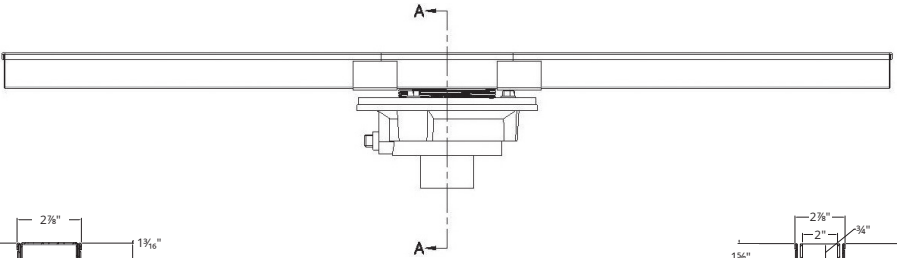


Available Clamp Down Drains:

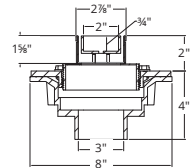
CDI 22	Clamp Down Drain Cast Iron	CDA 42	Clamp Down Drain, ABS, 4" Throat, 2" No Hub Outlet
CDP 22	Clamp Down Drain PVC	CDI 43	Clamp Down Drain, Cast Iron, 4" Throat, 3" No Hub Outlet
CDA 22	Clamp Down Drain ABS	CDP 43	Clamp Down Drain, PVC, 4" Throat, 3" No Hub Outlet
CDI 42	Clamp Down Drain, Cast Iron, 4" Throat, 2" No Hub Outlet	CDA 43	Clamp Down Drain, ABS, 4" Throat, 3" No Hub Outlet
CDP 42	Clamp Down Drain, PVC, 4" Throat, 2" No Hub Outlet	CDI43W	Clamp Down Drain, Cast Iron with threaded ring

Optional Components: (Not Included)

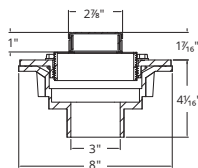
SLA 65	Stainless Steel 90° Angle Joiner for LC/SC Channel	ERB	Eccentric Reducer Bushing 4"x2"	SE 65	2" Stainless Steel End Section
TNRN	Stainless Steel Threaded Nipple Extension	TE 65	2" Stainless Steel End Section	SC 6548	48" Stainless Open Ended Channel
UCP 2	Universal 2" Clamping Plate	TC 6548	48" Stainless Open Ended Channel	SC 6596	96" Stainless Open Ended Channel
UCP 4	Universal 4" Clamping Plate	TC 6596	96" Stainless Open Ended Channel	SHA 65	Stainless Steel 90° Joiner for HC/TC Channel



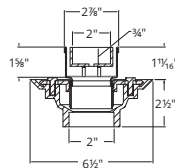
Section A-A
S-DGAS 65, S-AS 65



Section A-A
S-TIFAS 99



Section A-A
S-DGAS 99, S-AS 99



Section A-A
S-TIFAS 65

Installation

1. Determine the location of the drain outlet location. Typically linear drains should span a dimension from wall to wall, against a wall or at a shower entrance.

OPTIONAL PROCEDURE:

When drain install is required to be flush against the finished wall, build out wall with backer board over round clamp down drain body (F) to compensate for the drain radius.

PROCEDIMIENTO OPCIONAL:

Cuando el drenaje sea instalado, se requiere que esté completamente a la pared, construir la pared con múltiples de placas de cemento sobre el redondo drenaje (F) para compensar el radial del drenaje.

2. If clamp down drain body (F) is not installed. Attach (F) to existing waste line and allow drain to recess into subfloor. **Ensure that drain body (F) is level.** Unscrew and remove top clamp down plate from drain body

3. Spread a primary mortar bed across the intended shower area. Pitch this bed in four directions towards the drain body (F).

4. When mortar layer is dry, perform necessary waterproofing (PVC Liner, CPE Rubber Liner/Chloraloy™, Lead Pan, Copper Pan, Hot Mop, Fiberglass) as per local code. Ensure waterproofing layer reaches the edge of the hole in the drain body (F).

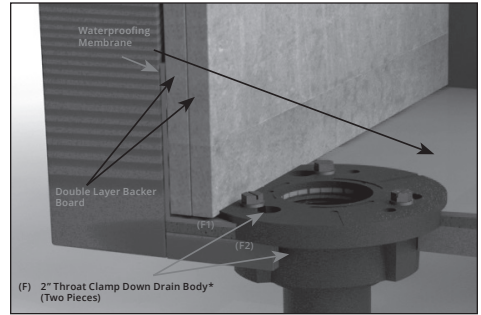
5. Calculate desired finished wall to wall length, keeping in mind wall tile thickness and $8\pm\frac{1}{4}$ " for the outlet section (C). When utilizing **full assembly length**: using a band saw, shop saw, or a hack saw with a 32 tooth blade, cut the channel along its length where the outlet section (C) is to be placed. When using **less than full assembly length**, remove equal amounts (half of total excess to be removed) from each open end of channel (B1). Gently file back rough edges.

(i.e. If 6 inches of total excess channel length is to be removed. Remove 3 inches from each open end of channel).

Instalación

1. Determine la ubicación del emplazamiento del drenaje. Típicamente el drenaje lineal atraviesa una dimensión de pared a pared, contra la pared, o en una entrada de un baño.

OPTIONAL PROCEDURE / PROCEDIMIENTO OPCIONAL



2. Si el drenaje (F) no está instalado. Adjuntar el drenaje (F) a la línea de residuos existentes y permite el drenaje a que recese en el piso. Asegura, que el drenaje (F) este **nivelado**. Destornilla y remueve la placa de sujeción de arriba.

3. Esparcir una primaria de capa de mortero a través del destino o zona del baño. Lanzar la capa de mortero en cuatro direcciones hacia el drenaje (F).

4. Cuando la capa de mortero este seca, realice la impermeabilización necesaria (Forro del PVC, cobre, panel de vidrio) según el código local. Asegura que la capa de impermeabilización alcance al borde del agujero en el drenaje (F).

5. Calcular deseada terminación de pared a pared, teniendo en cuenta que el espesor de la pared $8\pm\frac{1}{4}$ " para la sección de salida (C). Cuando utilice la **longitud del ensamblaje** complete: usando una sierra de cinta, arco de sierra, con 32 por pulgada de cuchilla, corte el canal a lo largo de donde necesita la sección de salida (C) ser colocado. Cuando se utiliza **el uso de menos de la longitud**, elimine cantidad iguales (Mitad del exceso total que se retira) en cada parte final del canal (B1). Suavemente lime de nuevo en las orillas.

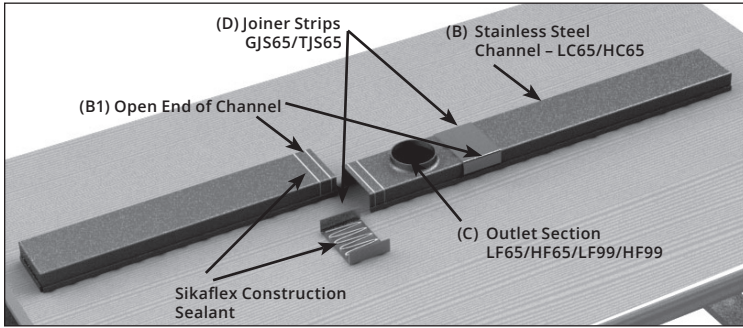
(i.e. Si 6 pulgadas en total exceso tiene que ser eliminado. Elimine 3 pulgadas de cada parte abierta en el canal, (B1).

Note: (1) Length indicated on kits are total lengths. 8" outlet section and full stainless channel lengths combine to create a total length that is specified in kit description.

(2) 96", 72", and 80" kits include enough stainless steel channel to allow use of **ONE** outlet. (This is not recommended)

TENGA EN CUENTA: (1) Total longitud indicada en el ensamblaje son 8" sección de salida y la longitud del canal de acero crea una combinación de longitud total que es especificado en la descripción del kit.

(2) 96", 80", and 72" kits incluyen suficiente canal de acero para permitir el uso de una sección/outlet. (Esto no es recomendable)



6. Clean all parts using denatured alcohol. On a flat surface, place each cut end of the stainless channel flush against each end of the outlet section (C). Using provided Sikaflex 1a construction sealant place the joiner strips (D) from the underside of the seam to join the channel pieces to the outlet section (C). Remove any Sikaflex spillover with a clean cloth dampened with denatured alcohol. Allow to dry at least 8 hours before handling.

6. Limpie todas las partes usando alcohol desnaturalizado. Sobre una superficie plana, coloque cada parte final del canal de acero ras contra cada lado final de la sección de salida (C). Usando Sikaflex sellador de construcción que es incluido, coloque la tiras/joiner strips (D) desde la parte inferior del cordón para unirse a la piezas del canal a la sección de salida (C). Elimine cualquier desbordamiento de Sikaflex con un paño limpio humedecido con alcohol desnaturalizado. Permitir que se seque durante la noche antes de manejarlo.

Note: Sikaflex construction sealant continues to cure for 7 days.

TENGA EN CUENTA: Sikaflex sellador de construcción requiere 7 días para curación completa.

7a. ONLY FOR S-AS65/S-DGAS65/S-TIFAS 65 Install: Reattach the top clamp down plate (F1) to the drain body over the waterproofing layer using bolts. Screw threaded nipple (E) into top clamp down plate (F1) of the drain body. Adjust to the desired height to allow assembly to end 1/16" below the intended finished tile height. Turn clockwise to lower, counter-clockwise to raise. *(Combined height of threaded nipple (E) and stainless steel channel assembly (B,C,&D) must be 1/16" less than the combined height of mortar, thinset, AND tile/floor material).*

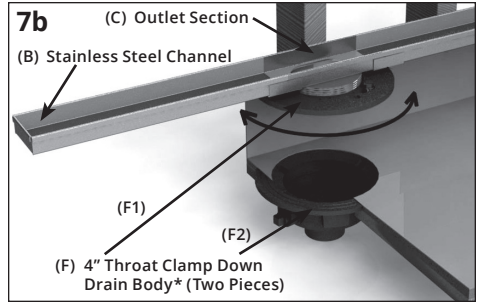
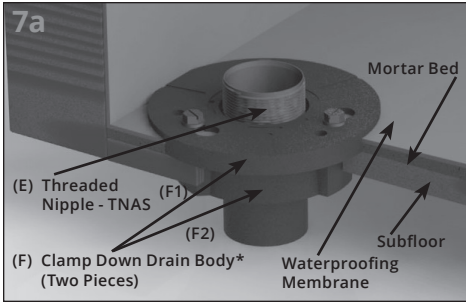
7a. SOLO PARA S-AS65/S-DGAS65/S-TIFAS 65 Instalación: Reconecte la placa de sujeción de arriba del drenaje (D2) sobre las capas de impermeabilización utilizando tornillo. Enrosque el niple roscado (E) adentro de la placa del drenaje. Ajustar la altura deseada para permitir la pieza que termine 1/16" debajo del acabado destino. Gire hacia la derecha para bajar, hacia la izquierda para aumentar. *(La altura combinada del (niple roscado (E) y la pieza del canal de acero (B, C, & D) debe ser 1/16" menos de la combinación de la altura de mortero, thinset, material de tile/material de suelo de baldosas.)*

7b. ONLY FOR S-AS99/S-DGAS99/

S-TIFAS99 Install: Thread the top clamp down plate (F1) only on to the detached outlet section (LF99/HF99) and adjust plate to desired height to allow outlet section to end 1/16" below the intended finished floor material height. Reattach the top clamp down plate and assembled channel to the clamp down drain body (F) over the waterproofing layer using the bolts.

7b. SOLO PARA S-AS99/S-DGAS99/

S-TIFAS99 Instalación: Rosca la parte superior de la placa del drenaje solamente a la parte suelta (LF99/HF99) y ajuste la placa a la altura deseada para permitir la sección de salida que termine 1/16" debajo del destinado material de altura. Reconecte la placa de sujeción de arriba del drenaje (F) sobre las capas de impermeabilización utilizando tornillo.



8a. ONLY FOR S-AS65/S-DGAS65/

S-TIFAS65 Install: Test fit the combined stainless steel channel onto the threaded nipple (E) and confirm height. After confirming correct height use Sikaflex 1a construction sealant to join the threaded nipple to the underside of the outlet in the outlet section (C) of the assembled channel. Be sure to support the underside of the assembled channel.

8a. SOLO PARA S-AS65/S-DGAS65/S-

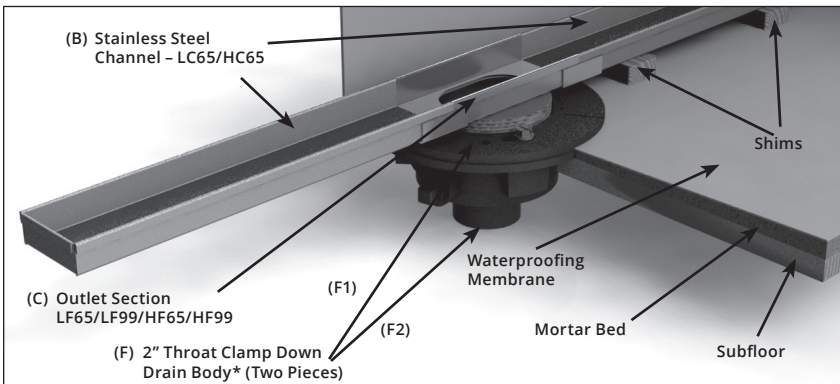
TIFAS65 Instalación: Pruebe y ajuste la combinación del canal de acero en el niple roscado (E) Y confirmar altura. Después de confirmar la altura use Sikaflex construcción de sellador para unir la niple roscado a parte inferior de la sección de salida (C) del canal. Asegúrese a soportar la parte inferior del canal.

8b. ONLY FOR S-AS99/S-DGAS99/

S-TIFAS99 Install: Confirm the correct height of assembled outlet section and channel that was previously joined to the clamp down drain.

8b. SOLO PARA S-AS99/S-DGAS99/S-

TIFAS99 Instalación: Confirmar la correcta altura de la sección de salida y del canal que anteriormente fue unida al drenaje.



Note:

Model	Overall Minimum Height	Overall Maximum Height
S-DGAS 65/S-AS 65	1 3/16"	2 3/16"
S-DGAS 99/S-AS 99	1 7/16"	2 7/16"
S-TIFAS 65	1 11/16"	2 11/16"
S-TIFAS 99	2"	3"

9. Create a mortar bed the length of the channel on the waterproofing membrane and backfill the underside of the assembled stainless steel channel and level. Use necessary amount of mortar to adequately support the channel.

10. Measure and cut the top grate (A) to a $\frac{1}{8}$ " less than the inside length of the assembled channel using a hack saw, band saw, or shop saw with a 32 tooth per inch blade. Gently file back the rough edges.

9. Crear un base de mortero de la longitud del canal en la membrana de impermeabilización y rellene la parte de inferior del canal de acero inoxidable y nivélelo. Utilice la cantidad necesaria de mortero para soportar adecuadamente el canal.

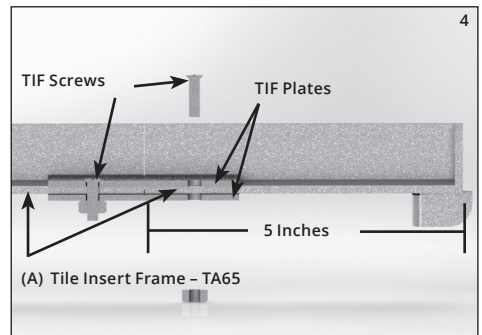
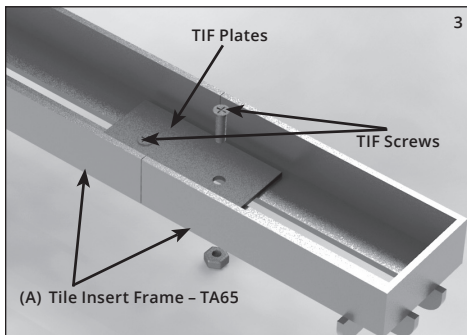
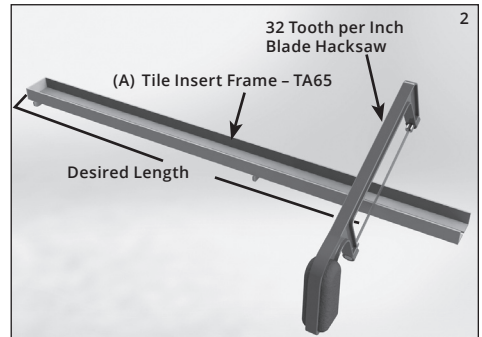
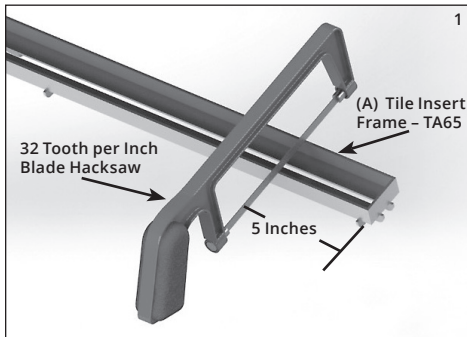
10. Medir y cortar la parte superior (A) a $\frac{1}{8}$ " menos de la longitud interior del canal usando una sierra para metal con un hoja de 32 dientes por pulgada, sierra de cinta. Suavemente lima los bordes ásperos.

ONLY FOR S-TIFAS65/S-TIFAS99 INSTALL:

Measure the inside length of the channel. Cut 5" from one end of the TA65 grate (A) and set this aside. Cut the remainder of the TA65 grate (A) to the measured length of the inside channel less 5". Join the desired cut length to the 5" end using the provided TIF plates and screws.

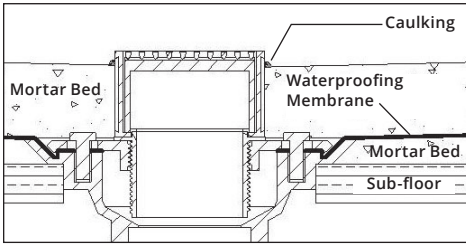
SOLO PARA S-TIFAS65/S-TIFAS99

Instalación: Medir la longitud de adentro del canal. Corte 5" de un lado del final de la reja TA 65 (A) a la medición de la longitud del canal por dentro menos 5". Unir la parte que corto de 5" usando la placa TIF y enrosca.



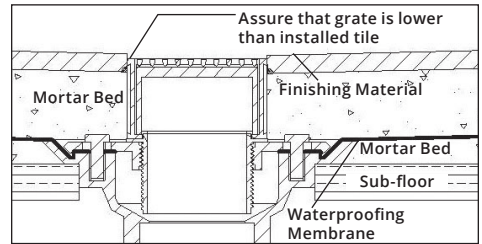
11. Using desired material, mark the thickness along the channel so that it will finish 1/16" above the channel. Lay final mortar bed across the wet area. Pitch this bed in one plane toward the linear drain. Allow space for thinset and finishing material to finish 1/16" above the channel. After dry, apply a bead of silicone caulk around the channel. Lay thinset and finishing material to the edge of the combined stainless steel channel. **DO NOT** allow material to finish on top of the stainless steel channel edge. (Please refer to figures below)

11. Usando el material que desea, marque el espesor a lo largo del canal de modo que termine 1/16" arriba del canal. Coloque mortero definitivo través de la zona húmeda. Brea esto en un plano hacia el drenaje lineal. Permita el espacio para el thinset y material terminado 1/16" arriba del canal. Después que este seco, aplique una gota de masilla de silicona alrededor del canal. Colocar thinset y material hasta el borde del canal de acero. **NO PERMITA** el material que termine en el borde del canal de acero. (Por favor referirse a las cifras inferiores)



Before finishing material

Antes que el material esté terminado



After finishing material

Después que el material esté terminado

12. ONLY FOR S-TIFAS 65 INSTALL:

Spread a layer of mortar into the Tile Insert Frame (TA65), allowing for thinset and material to finish 1/16" above the metal frame. Allow to dry, spread thinset and finishing material.

12. SOLO PARA S-TIFAS 65 INSTALACION:

Extender una capa de mortero en Tile Insert Frame (TA65), permitiendo el thinset y material que termine 1/16" arriba del marco de metal. Permita que se seque, extienda thinset y material terminado.

