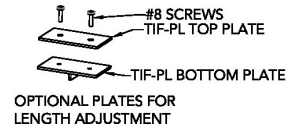
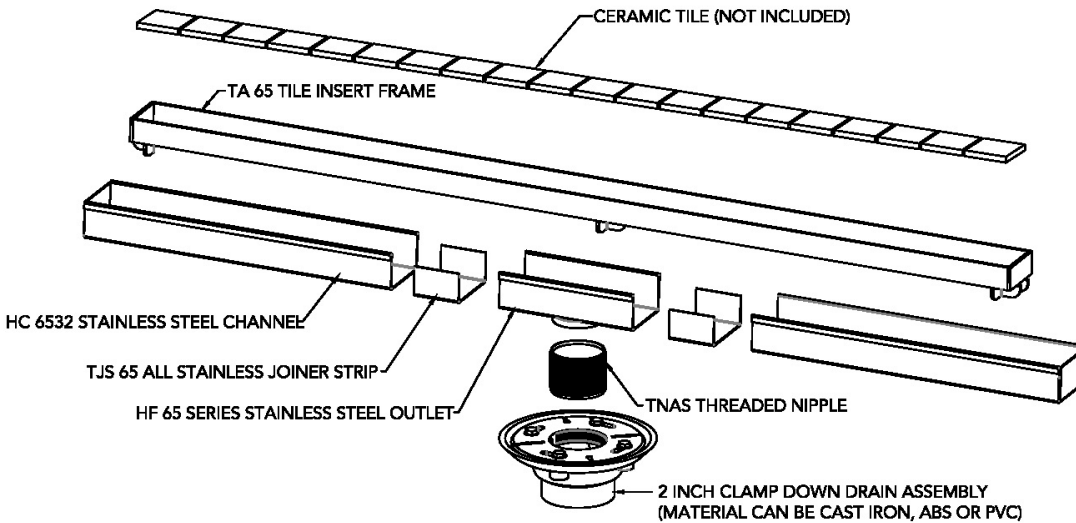
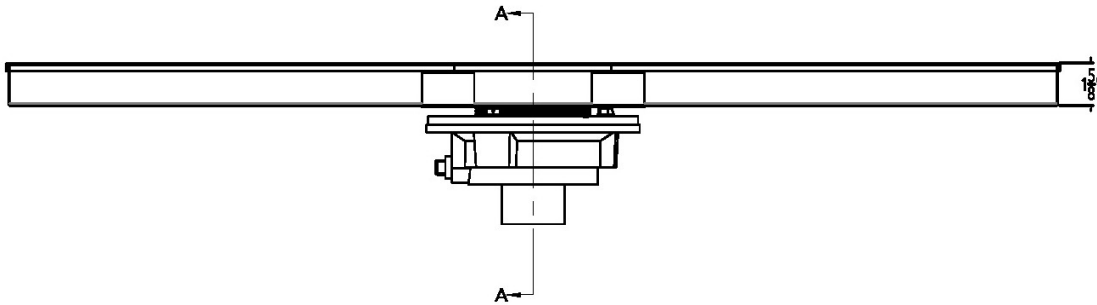
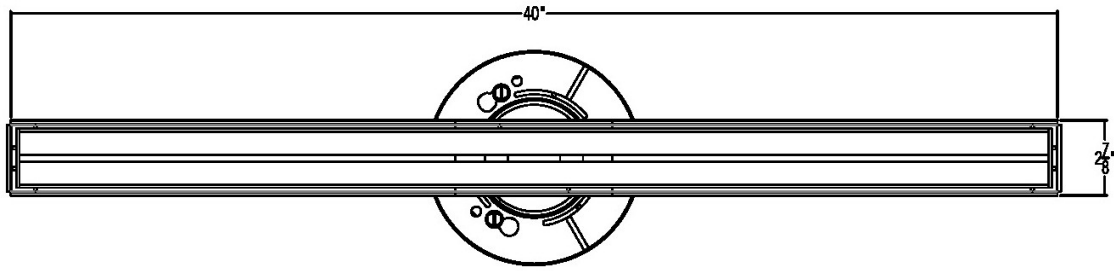


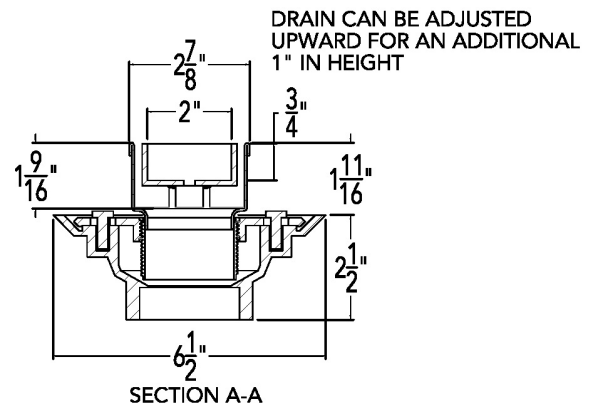
# S-TIFAS 6540 Specifications



## S-TIFAS 6540 SS

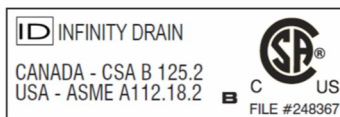
### 40" Complete Kit Includes:

- (40 1/8" l x 2 7/8" w x 1 5/8" h)
- 1 - TA 6540 Tile Insert Frame
- 1 - HC 6532 Stainless Steel Channel
- 1 - HF 65 8" Outlet Section Stainless Steel
- 2 - TJS 65 Stainless Steel Joiner Strip
- 1 - TNAS Threaded Nipple
- 1 - TKEY Lift Out Key
- 1 - Sikaflex 1a Construction Sealant



## Infinity Drain

18 Secatoag Avenue  
 Port Washington, NY 11050  
 Phone: 516.767.6786  
 Fax: 516.740.3066  
 www.InfinityDrain.com



**Note:** Installer must verify all rough-in dimensions prior to installation and consult local and national codes. Conformity and compliance to local and national codes are the responsibility of the installer.