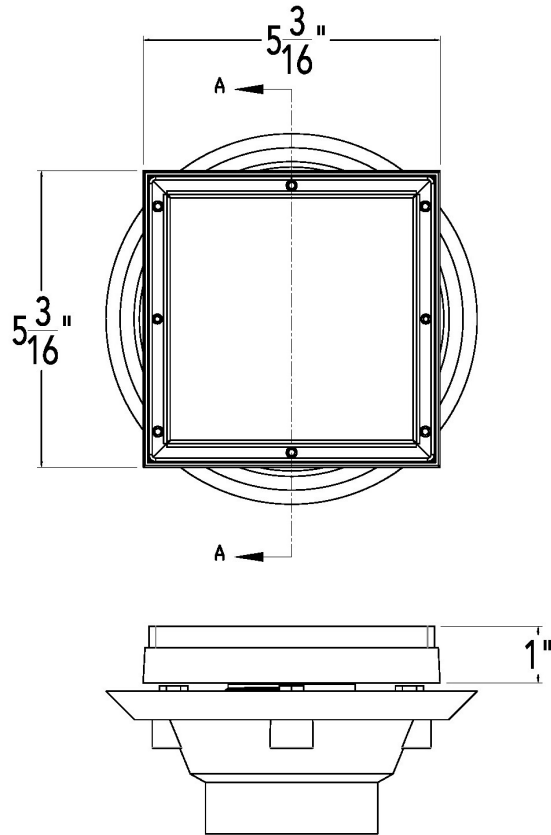
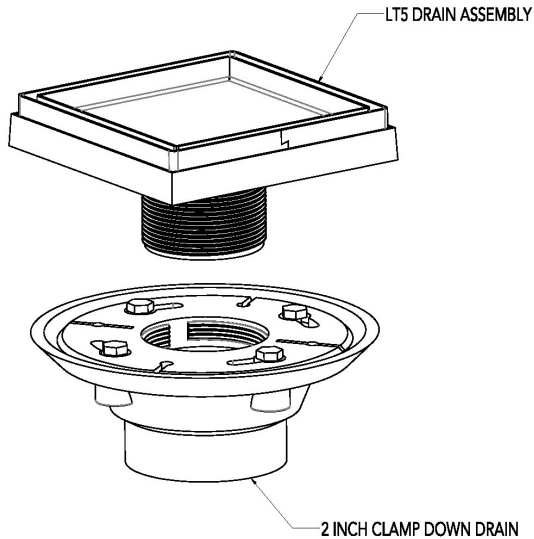


LTD 5 Specifications

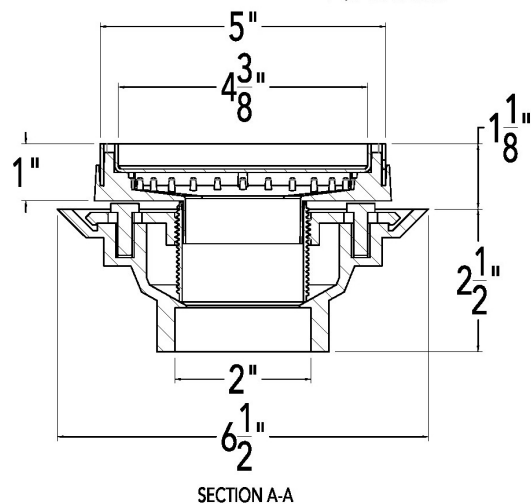


LTD5-2I SS
5" x 5" Kit with Cast Iron Drain Body
2" Outlet
 (5" L x 5" W x 1" H)
 1 - LT5-2 Tile Drain Strainer
 1 - CDI 22 Clamp Down Drain

LTD5-2A SS
5" x 5" Kit with ABS Drain Body
2" Outlet
 (5" L x 5" W x 1" H)
 1 - LT5-2 Tile Drain Strainer
 1 - CDA 22 Clamp Down Drain

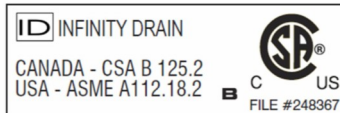
LTD5-2P SS
5" x 5" Kit with PVC Drain Body
2" Outlet
 (5" L x 5" W x 1" H)
 1 - LT5-2 Tile Drain Strainer
 1 - CDP 22 Clamp Down Drain

DRAIN CAN BE ADJUSTED
 UPWARD AN ADDITIONAL
 1 1/8" IN HEIGHT



SECTION A-A

Infinity Drain
 18 Secatoag Avenue
 Port Washington, NY 11050
 Phone: 516.767.6786
 Fax: 516.740.3066
 www.InfinityDrain.com



Note: Installer must verify all rough-in dimensions prior to installation and consult local and national codes. Conformity and compliance to local and national codes are the responsibility of the installer.