

Care and Cleaning

Inside of the oven

Be certain the oven control is turned off and the oven is warm or cool to the touch before cleaning any part of this oven.

Clean the inside of the oven often for proper heating performance.

Some spatters can be removed with a paper towel, others may require a warm soapy cloth. Remove greasy spatters with a sudsy cloth, then rinse with a damp cloth.

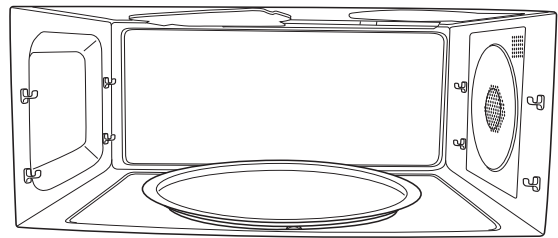
If the dirt and spatter do not come off easily with a warm sudsy cloth, place a medium sized bowl full of water in the unit on the metal tray and press the SPEEDCOOK pad. Select MY RECIPE and set for 10 minutes at U=10, L=10, M=7, C=10. This should loosen the dirt in the oven so that it can be removed with a warm sudsy cloth.

If you notice yellowing on the metal inside the oven that cannot be removed with a warm sudsy cloth, use a stainless steel cleaner that removes heat discoloration and/or tarnishing. You can then clean the inside of the oven as you normally do.

Do not use abrasive cleaners or sharp utensils on oven walls.

Never use a commercial oven cleaner on any part of your oven.

Do not clean the inside of the oven with metal scouring pads. Pieces can break off the pad inside the oven, causing electrical shock as well as damaging the inside surface finish of the oven.



Removable Turntable

The area underneath the turntable should be cleaned frequently to avoid odors and smoking during a cooking cycle.

The turntable can be broken if dropped. Wash carefully in warm, sudsy water. Dry completely and replace.

To replace the turntable, place its center over the spindle in the center of the oven and turn it until it seats into place.



Turntable

Do not use the oven without the turntable in place.

Cooking Trays and Wire Oven Rack

To prevent breakage, allow the trays to cool completely before cleaning. Wash carefully in hot, sudsy water or in the dishwasher.

Do not use abrasives to clean the glass tray or wire oven rack, as they may damage the finish.

A plastic scrubbing pad may be used to clean the metal trays.



Clear glass tray



Metal tray



Wire oven rack

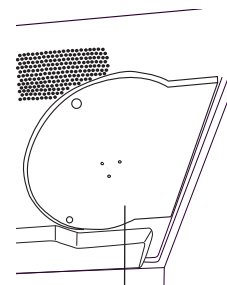


Metal grill tray

Mica Sheet

Do not remove the mica sheet.

To clean the mica sheet: Allow the oven to cool completely. Wipe clean with a warm soapy cloth.



Mica Sheet

Care and Cleaning

Halogen lamp cover and mica sheet

Do not remove the halogen lamp glass cover or the mica sheet.

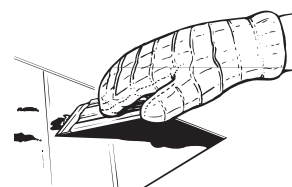
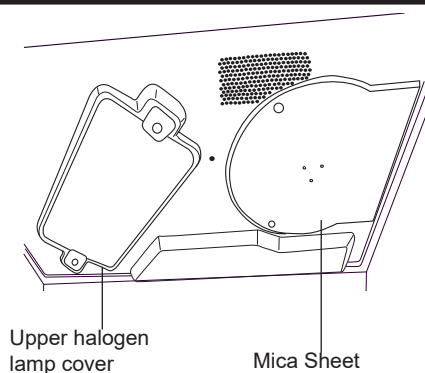
The upper halogen lamp cover must be kept free of grease and food splatterings in order to operate effectively.

Clean the lamp glass cover and mica sheet often to avoid excess smoking and decreased cooking power.

To clean the upper lamp cover: Allow the oven and glass cover to cool completely. Wipe clean with a warm soapy cloth or plastic scrubbie.

For heavy burned on soil, a cleaning scraper may be used to clean the halogen lamp cover. Hold the cleaning scraper at a 30° angle. Scrape the glass clean and wipe up excess soil.

To clean the mica sheet: Allow the oven to cool completely. Wipe clean with a warm soapy cloth.



For heavy or burned on soil

Outside of the Oven

We recommend against using cleaners with ammonia or alcohol, as they can damage the appearance of the oven. If you choose to use a common household cleaner, first apply the cleaner directly to a clean cloth, then wipe the soiled area.

Case

Clean the outside of the microwave with a sudsy cloth. Rinse and then dry. Wipe the window clean with a damp cloth.

Control Panel

Wipe with a damp cloth. Dry thoroughly. Do not use cleaning sprays, large amounts of soap and water, abrasives or sharp objects on the panel - they can damage it. Some paper towels can also scratch the control panel.

Stainless Steel Surfaces (on some models)

The stainless steel panel can be cleaned with Stainless Steel Magic or a similar product using a clean, soft cloth. Apply stainless cleaner carefully, avoiding the surrounding plastic or glass parts. Do not use appliance wax, polish, bleach or products containing chlorine on stainless steel.

Plastic Color Panels (on some models)

Use a clean, soft, lightly dampened cloth, then dry thoroughly.

Door Seal

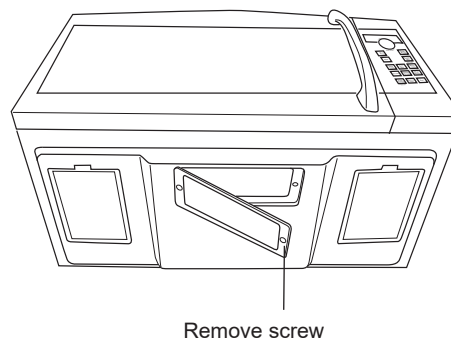
It's important to keep the area clean where the door seals against the oven. Use only mild, non-abrasive detergents applied with a clean sponge or soft cloth. Rinse well.

Bottom

Clean off the grease and dust on the bottom often. Use a solution of warm water and detergent.

Replacing the Surface Light

1. To replace the surface light, first disconnect the power at the main fuse or circuit breaker panel or unplug the oven.
2. Remove the screw from the side of the light compartment cover and lower the cover until it stops.
3. Be sure the bulb to be replaced is cool before removing. Gently pull the bulb from the receptacle.
Replace with a 130 volt, 50-watt halogen bulb. Order WB08X10051 from your GE Appliances supplier.
4. Raise the light cover and replace the screw. Connect electrical power to the oven.



Remove screw

Care and Cleaning

Removing and Cleaning the Filters

1. The metal filters trap grease released by foods on the cooktop. They also prevent flames from foods on the cooktop from damaging the inside of the oven.
2. For this reason, the filters must always be in place when the hood is used. The vent filters should be cleaned once a month, or as needed.
3. To remove, slide them to the rear using the tabs. Pull down and out.
4. To clean the vent filters, soak them and then swish around in hot water and detergent. Don't use ammonia or ammonia products because they will darken the metal. Light brushing can be used to remove embedded dirt.
5. Rinse, shake and let dry before replacing.
6. To replace, slide the filters into the frame slots on the back of each opening. Press up and to the front to lock into place.

Replacing the Oven Cavity Lamp

1. Disconnect power at the main fuse or circuit breaker panel.
2. Remove the top grill by removing the two screws that hold it in place.
3. Remove charcoal filter if present. Slide the filter toward the left and pull toward the front to remove.
NOTE: Charcoal filter is an optional kit, you may not have one.
4. Remove the screw holding the lamp shield in place.
5. Pull the lamp shield out. Pull the light bulb out and replace with the 120V-130V, 20-watt halogen bulb. Order WB25X10019 from your GE Appliances supplier.
6. Return the lamp and lamp shield to original position and replace screw and charcoal filter.
7. Replace the grill and 2 screws. Reconnect power to the oven.

Charcoal Filter (JX81D - optional kit)

If the model is not vented to the outside, the air will be recirculated through a disposable charcoal filter that helps remove smoke and odors.

The charcoal filter cannot be cleaned. It must be replaced. Order Part No. JX81D-WB02X10943 from your GE Appliances supplier.

The charcoal filter should be replaced when it is noticeably dirty or discolored (usually after 6 to 12 months, depending on usage).

To install a new filter:

1. Remove plastic and other outer wrapping from the new filter.
2. Remove the top grill by removing the two screws that hold it in place.
3. Insert the filter into the top opening of the oven as shown.
4. It will rest at an angle on two back support tabs and in front by two tabs.
5. Replace the grill and two screws.

To remove the filter, repeat step 2 above, remove the filter and repeat step 5.

