

PS920SF

GE Profile™ Series 30" Slide-In Electric Convection Range with Warming Drawer

Dimensions and Installation Information (in inches)

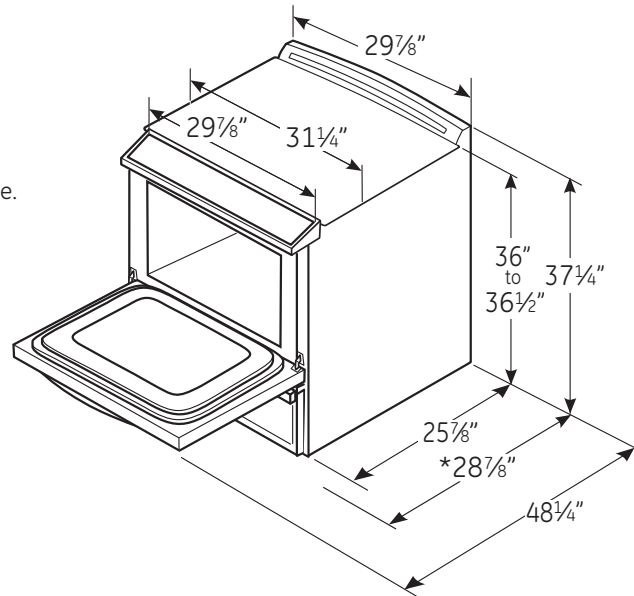
Receptacle Locations: Locally approved flexible service cord or conduit must be used because terminals are not accessible after range installation. See shaded area in drawing for location of electrical outlet box. Recommended outlet locations allow range to be installed directly against rear wall.

Note: This appliance has been approved for 0" spacing to adjacent surfaces above the cooktop. However, a 6" minimum spacing to surfaces less than 15" above the cooktop and adjacent cabinet is recommended to reduce exposure to steam, grease splatter and heat.

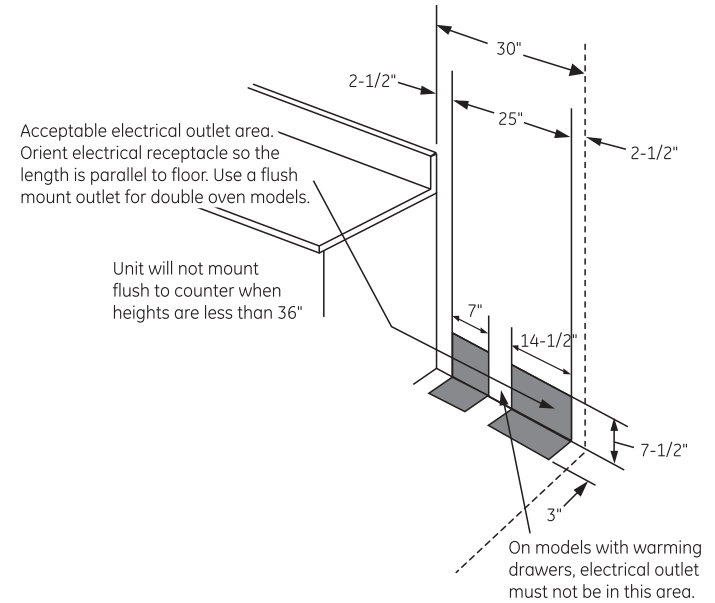
Installation Information: Before installing, consult installation instructions for current dimensional data and additional requirements.

| KW Rating | |
|--------------|----------|
| 240V | 13.5 |
| 208V | 10.1 |
| Breaker Size | |
| 240V | 40 Amps† |
| 208V | 40 Amps† |

†Note: Check local codes for required breaker size.



*Depth including door handle is approximately 28-7/8".



NOTE: Use a 4' power cord to prevent interference with unit when installing.



imagination at work

For answers to your Monogram® or GE® appliance questions, visit our website at geappliances.com or call GE Answer Center® service, 800.626.2000.



*ADA qualified based on Uniform Federal Accessibility Standards



All GE ranges are equipped with an Anti-Tip device. The installation of this device is an important, required step in the installation of the range.



Listed by Underwriters Laboratories



Specification Revised 11/14

PS920SF

GE Profile™ Series 30" Slide-In Electric Convection Range with Warming Drawer

Features and Benefits

- True European Convection with Precise Air - Enjoy perfectly even results without turning the pan
- 6"/9"/12" 3600W Power Boil - Pots and pans fit perfectly on the flexible heating element
- Expandable Bridge Zone - Use only the heat you need with an expandable cooktop zone
- 5.3 cu. ft. Oven Capacity - Enough room to cook an entire meal at once
- Warming Drawer - Variable temperature control keeps foods warm
- Self-Clean Roller Rack - Easily access items with racks that glide smoothly
- Glass Touch Controls - Set temperatures quickly and clean with little effort
- Self-clean with Steam Clean option - Clean your oven the way you want
- Fast Preheat - Make hot meals in a hurry with less time preheating
- Hidden Bake - Make cleanup easy by eliminating hard-to-reach areas
- Black Gloss Oven Interior - Enjoy a clean and sleek appearance
- Model PS920SFSS - Stainless steel



imagination at work