



V-3 and V-3C Hose Bibb Atmospheric Backflow Preventers

DESCRIPTION

The Cash Acme V-3 Hose Bibb Atmospheric Backflow Preventers are designed to prevent dangerous back-siphonage and backflow into a potable water supply.

The Cash Acme V-3 Backflow Preventers are for use around homes, schools, commercial buildings, laboratories and any place involving moveable hoses that are attached to threaded faucets, indoors or out.

The Cash Acme V-3 attaches to any standard male 3/4" hose-thread sill cock. The valve is fitted with a male outlet connection to permit garden hose attachment. The V-3 is suitable for systems with a maximum pressure of 125 psi and a maximum temperature of 180° F.

When backflow conditions occur, due to back pressure or back-siphonage, the seat and diaphragm close to prevent any water from flowing back through the unit and into the water supply line. At the same time, the diaphragm lifts off the vent holes to break any vacuum, and any trapped water under pressure is allowed to escape through the vent holes.

FEATURES AND BENEFITS

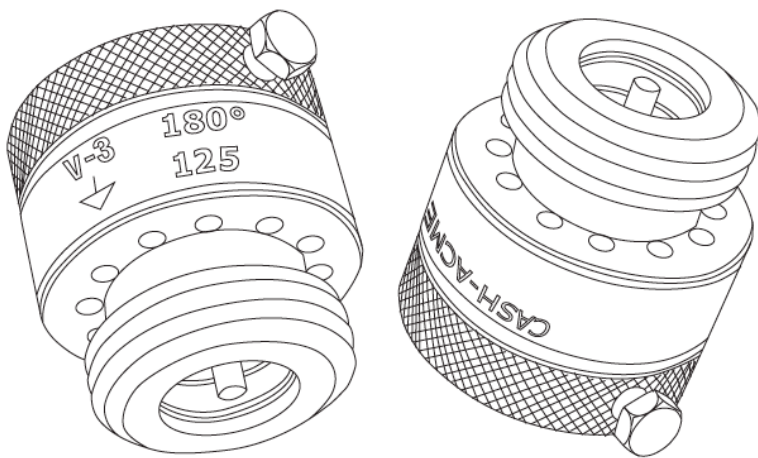
Designed for any place involving moveable hoses attached to threaded faucets:
Use on homes, schools, laboratories or any commercial building.

The V-3 is equipped with a protruding "tip" device for manual draining of faucet (after hose removal):

Prevents freezing.

Listed by ASSE 1011, CSA and IAPMO:
Inspector friendly, peace of mind!

Polished chrome plating designs are also available:
Modern finishes for a modern application.

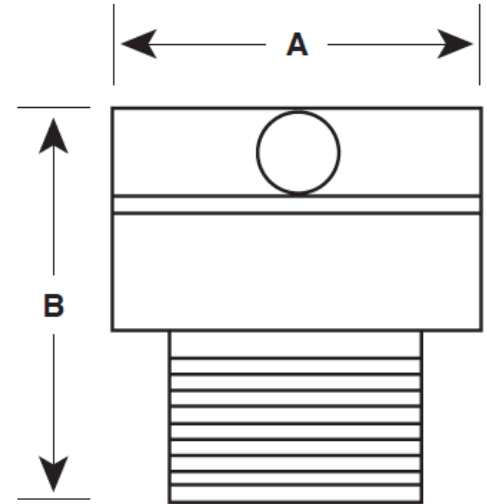
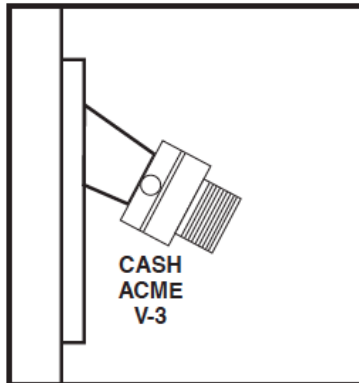




V-3 and V-3C Hose Bibb Atmospheric Backflow Preventers

TYPICAL INSTALLATION

The **Cash Acme V-3 Backflow Preventer** features a breakaway set screw, just tighten until the head snaps off, and the installation is virtually tamper-proof.



SPECIFICATION DATA

Performance:

Maximum temperature	180° F
Maximum pressure	125 psi
Service	Water

Materials:

Body	Brass
Seat Disc	Buna-N
Spring	Stainless steel

Dimensions	A	B
3/4"	1 5/16"	1 5/16"

AVAILABLE CONNECTIONS

3/4" Threaded (NPT)

CERTIFICATIONS

The **Cash Acme V-3** and **V-3C** are certified to ASSE Standard 1011 and CSA B64.2, listed by IAPMO (UPC) and approved by CSA.