

SPEAKMAN® SI-FOO1

Holt Vessel Sink Faucet

FEATURES:

- Lead-free brass construction
- Lever handle
- 1.5 gpm flow rate
- Ceramic cartridge
- Flexible supply lines

COMPLIANCE:

- ASME A112.18.1/CSA B125.1 certified
- NSF 61 certified
- WaterSense certified
- NSF 372 certified

FINISH:



PC

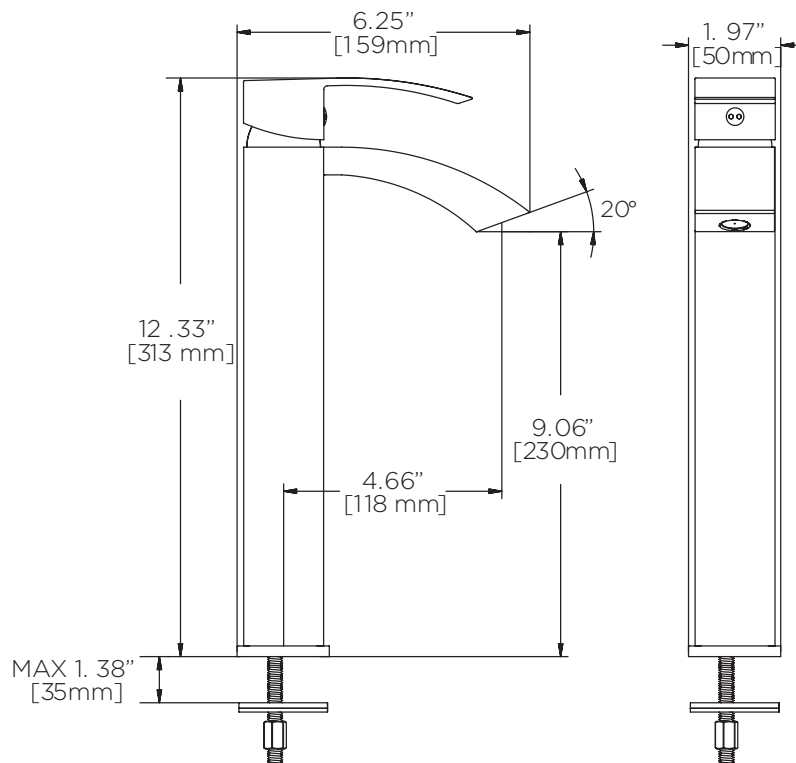
WARRANTY:

- Limited Lifetime Warranty (consumer use)
- 5 Year Limited (commercial use)



DIMENSIONS:

NOTE: 1. All dimensions are in inches (millimeters) unless otherwise specified and are subject to change without notice.



Architect/Engineer Approval Space:

SPEAKMAN
400 ANCHOR MILL ROAD
NEW CASTLE, DE 19720

P: 800-537-2107
F: 800-977-2747
W: WWW.SPEAKMAN.COM
R: JUNE 2015