

# SPEAKMAN® SI-FOO2

## Keila Vessel Sink Faucet

### FEATURES:

- Lead-free brass construction
- Lever handle
- 1.5 gpm flow rate
- Ceramic cartridge
- Flexible supply lines

### COMPLIANCE:

- ASME A112.18.1/CSA B125.1 certified
- NSF 61 certified
- WaterSense compliant
- NSF 372 certified

### FINISH:



PC

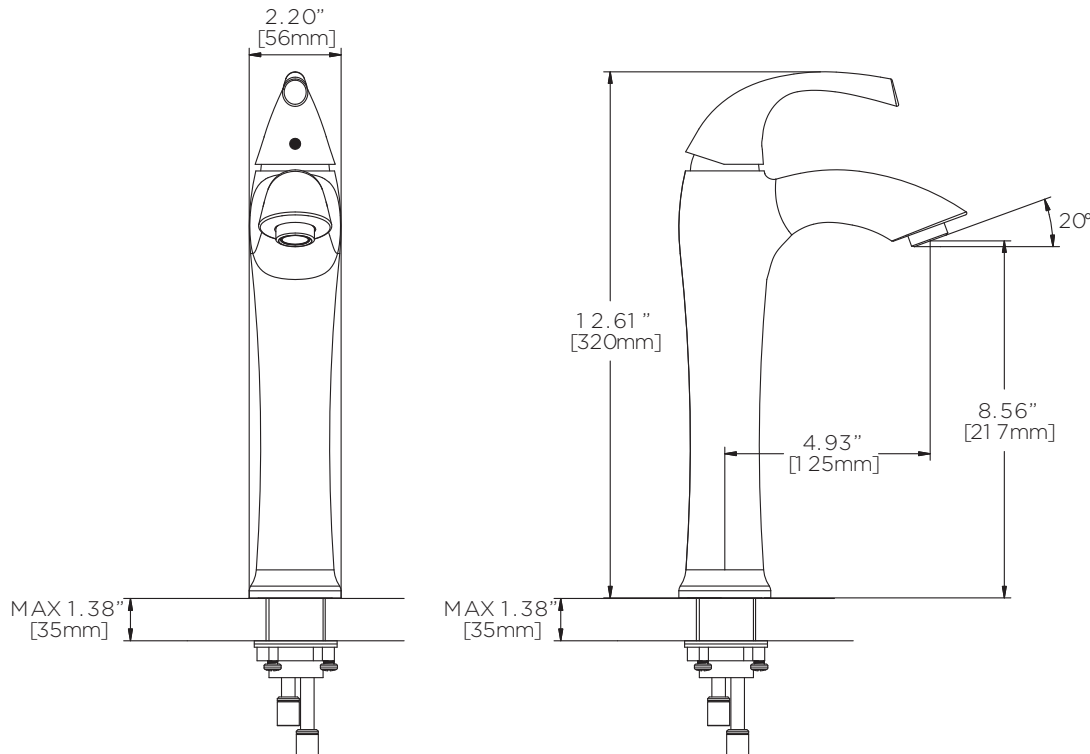
### WARRANTY:

- Limited Lifetime Warranty (consumer use)
- 5 Year Limited (commercial use)



### DIMENSIONS:

NOTE: 1. All dimensions are in inches (millimeters) unless otherwise specified and are subject to change without notice.



Architect/Engineer Approval Space:

SPEAKMAN  
400 ANCHOR MILL ROAD  
NEW CASTLE, DE 19720

P: 800-537-2107  
F: 800-977-2747  
W: WWW.SPEAKMAN.COM  
R: FEBRUARY 2016