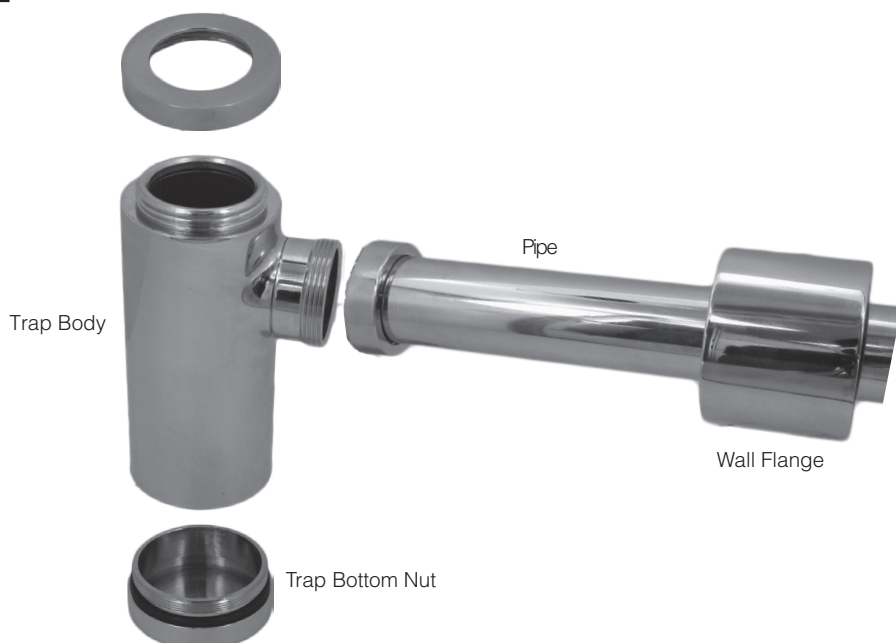


Contemporary Bottle Trap Installation instruction

Product Numbers

ITEM	FINISH
MB139512	Chrome Plated
MB139527	PVD Brushed Nickel



INSTALLATION

- Check the pop-up drain is correctly installed to the lavatory according its instructions.
- Remove the inlet nut from the trap body and check the poly washer is inside the inlet nut.
- Slide the tailpiece into the trap body. To ensure a proper compression fit, the tailpiece must be inserted at least 1" (2.5 cm) inside the inlet nut
- With the threads facing down, slide the inlet nut down with poly washer onto the tailpiece and hand-tighten the inlet nut until the nut is flush against the trap body.
- Remove the outlet nut from the trap body. Ensure the poly washer is inside the outlet nut.
- With the threads of the outlet nut facing toward the trap body, slide the outlet nut with poly washer onto the pipe. Be sure to utilize the poly washer and the pipe must be inserted inside the trap body.
- Hand-tighten the outlet nut until the nut is flush against the trap body.
- Slide the wall flange onto the free end of the pipe and insert the pipe then adjust the wall flange to cover the drain stub out.
- Turn on the water supply to let water run through the drain for checking leaks.

