

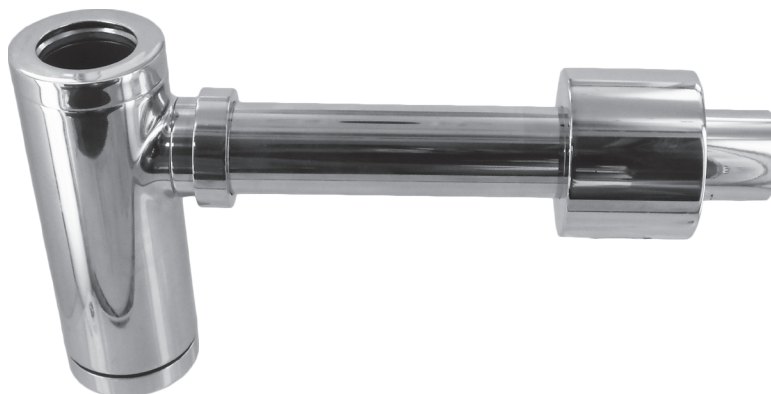
Contemporary Bottle Trap

Product Features

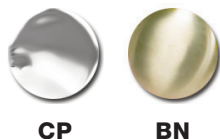
- Brass construction
- 17 Gauge
- 1-1/4"(31.75mm) Tube Inlet x 1-1/4"(31.75mm) Outlet
- Deep Wall Flange
- Meets ASME A112.18.2/CSA B125.2-11
- Not approved for use in Massachusetts

Note:

Bottle trap body comes pre-assembled with non-removable interior partition which creates the trap seal. The trap bottom nut can be removed for cleaning.



Finishes Available



CP

BN

Product Numbers

ITEM	FINISH
MB363CP	Chrome Plated
MB363BN	PVD Brushed Nickel

Product Specifications/Dimensions

