

NIBCO® Press System Lead-Free* Bronze Ball Valves

Features: Silicon Performance Bronze® Two-Piece Body • Copper Ends • Full Port • Blowout-Proof Stem • Stainless Trim

Approvals: MSS SP-145 • IAPMO/ANSI Z1157 (IGC-157) • NSF/ANSI-61-8 commercial hot 180°F (includes annex F and G) and NSF/ANSI-372

Size range: 1/2" - 2"

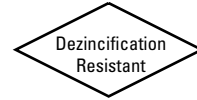
Pressure rating: 250 PSI non-shock cold working pressure

Body design pressure: 600 PSI CWP

Maximum pressure / temperature: 200 PSI at 250° F

Lead-free* markings:

Double oval in body casting, white handle and blue hang tag

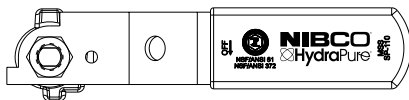


PC-585-66-LF

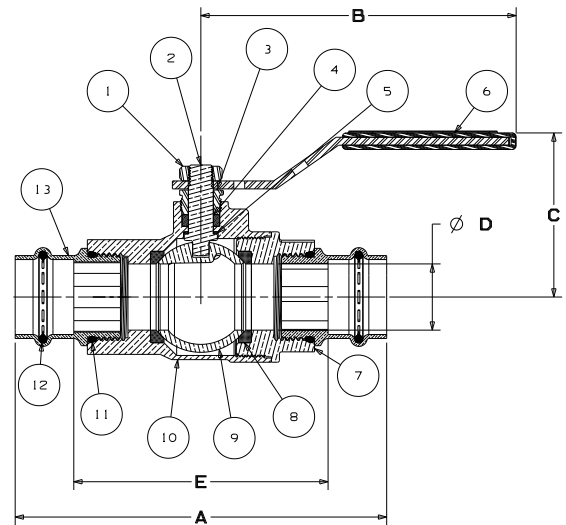
Press x Press
Female End

MATERIAL LIST

| PART | SPECIFICATION |
|---------------------------|---------------------------------------|
| 1. Handle Nut | Plated Steel |
| 2. Stem | Stainless Steel ASTM A276 Type 316 |
| 3. Pack Gland | Brass ASTM B16 Alloy C36000 |
| 4. Packing, Stem | PTFE |
| 5. Thrust Washer | Reinforced PTFE |
| 6. Handle Assembly | Plated Steel with Plastisol Coating |
| 7. Body End | Silicon Bronze ASTM B584 Alloy C87600 |
| 8. Seat Ring (2) | Reinforced PTFE |
| 9. Ball (vented) | Stainless Steel ASTM A276 Type 316 |
| 10. Body | Silicon Bronze ASTM B584 Alloy C87600 |
| 11. Boss seal o-ring (2) | EPDM |
| 12. O-Ring (2) | EPDM |
| 13. Press End Adapter (2) | Wrot Copper ASTM B75 Alloy C12200 |



Handle Markings



PC-585-66-LF
P x P

DIMENSIONS—WEIGHTS—QUANTITIES

| SIZE | | A | | B | | C | | D | | E | | F | | G | | J | | Weight | |
|-------|-----|------|-----|------|-----|------|-----|------|-----|------|-----|------|-----|------|-----|-------|-----|--------|------|
| In. | mm. | In. | mm. | In. | mm. | In. | mm. | In. | mm. | In. | mm. | In. | mm. | In. | mm. | In. | mm. | Lbs. | Kg. |
| 1/2 | 15 | 3.93 | 100 | 3.96 | 101 | 1.96 | 50 | 0.50 | 13 | 2.53 | 64 | 1.20 | 30 | 0.70 | 18 | 5.93 | 151 | 0.80 | 0.36 |
| 3/4 | 20 | 5.00 | 127 | 4.76 | 121 | 2.28 | 58 | 0.75 | 19 | 3.23 | 82 | 1.56 | 40 | 0.96 | 24 | 7.33 | 186 | 1.56 | 0.71 |
| 1 | 25 | 5.61 | 142 | 4.76 | 121 | 2.48 | 63 | 1.00 | 25 | 3.84 | 98 | 1.97 | 50 | 0.89 | 23 | 7.56 | 192 | 2.13 | 1.00 |
| 1-1/4 | 32 | 6.23 | 158 | 6.76 | 172 | 3.10 | 79 | 1.25 | 32 | 4.21 | 107 | 2.31 | 59 | 1.01 | 26 | 9.86 | 250 | 3.73 | 1.69 |
| 1-1/2 | 40 | 7.56 | 192 | 6.76 | 172 | 3.32 | 84 | 1.50 | 38 | 4.79 | 122 | 2.84 | 72 | 1.39 | 35 | 10.53 | 267 | 5.53 | 2.51 |
| 2 | 50 | 8.40 | 213 | 6.76 | 172 | 3.56 | 90 | 2.00 | 51 | 5.36 | 136 | 3.54 | 90 | 1.51 | 38 | 10.94 | 278 | 7.95 | 3.61 |

*Weighted average lead content ≤ 0.25%