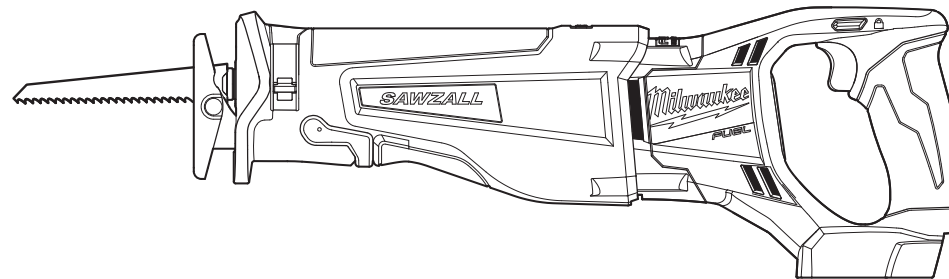




OPERATOR'S MANUAL
MANUEL de L'UTILISATEUR
MANUAL del OPERADOR



Cat. No.
No de cat.
2720-20

M18™ FUEL™ SAWZALL® RECIPROCATING SAW
PASSE-PARTOUT SAWZALL® M18™ FUEL™
SIERRA SABLE-SAWZALL® DE M18™ FUEL™

TO REDUCE THE RISK OF INJURY, USER MUST READ AND UNDERSTAND OPERATOR'S MANUAL.

AFIN DE RÉDUIRE LE RISQUE DE BLESSURES, L'UTILISATEUR DOIT LIRE ET BIEN COMPRENDRE LE MANUEL DE L'UTILISATEUR.

PARA REDUCIR EL RIESGO DE LESIONES, EL USUARIO DEBE LEER Y ENTENDER EL MANUAL DEL OPERADOR.

GENERAL POWER TOOL SAFETY WARNINGS

⚠ WARNING READ ALL SAFETY WARNINGS AND ALL INSTRUCTIONS. Failure to follow the warnings and instructions may result in electric shock, fire and/or serious injury. **Save all warnings and instructions for future reference.** The term “power tool” in the warnings refers to your mains-operated (corded) power tool or battery-operated (cordless) power tool.

WORK AREA SAFETY

- Keep work area clean and well lit. Cluttered or dark areas invite accidents.
- Do not operate power tools in explosive atmospheres, such as in the presence of flammable liquids, gases or dust. Power tools create sparks which may ignite the dust or fumes.
- Keep children and bystanders away while operating a power tool. Distractions can cause you to lose control.

ELECTRICAL SAFETY

- Power tool plugs must match the outlet. Never modify the plug in any way. Do not use any adapter plugs with earthed (grounded) power tools. Unmodified plugs and matching outlets will reduce risk of electric shock.
- Avoid body contact with earthed or grounded surfaces such as pipes, radiators, ranges and refrigerators. There is an increased risk of electric shock if your body is earthed or grounded.
- Do not expose power tools to rain or wet conditions. Water entering a power tool will increase the risk of electric shock.
- Do not abuse the cord. Never use the cord for carrying, pulling or unplugging the power tool. Keep cord away from heat, oil, sharp edges or moving parts. Damaged or entangled cords increase the risk of electric shock.
- When operating a power tool outdoors, use an extension cord suitable for outdoor use. Use of a cord suitable for outdoor use reduces the risk of electric shock.
- If operating a power tool in a damp location is unavoidable, use a ground fault circuit interrupter (GFCI) protected supply. Use of an GFCI reduces the risk of electric shock.

PERSONAL SAFETY

- Stay alert, watch what you are doing and use common sense when operating a power tool. Do not use a power tool while you are tired or under the influence of drugs, alcohol or medication. A moment of inattention while operating power tools may result in serious personal injury.
- Use personal protective equipment. Always wear eye protection. Protective equipment such as dust mask, non-skid safety shoes, hard hat, or hearing protection used for appropriate conditions will reduce personal injuries.
- Prevent unintentional starting. Ensure the switch is in the off-position before connecting to power source and/or battery pack, picking up or carrying the tool. Carrying power tools with your finger on the switch or energising power tools that have the switch on invites accidents.

- Remove any adjusting key or wrench before turning the power tool on. A wrench or a key left attached to a rotating part of the power tool may result in personal injury.
- Do not overreach. Keep proper footing and balance at all times. This enables better control of the power tool in unexpected situations.
- Dress properly. Do not wear loose clothing or jewellery. Keep your hair, clothing and gloves away from moving parts. Loose clothes, jewellery or long hair can be caught in moving parts.
- If devices are provided for the connection of dust extraction and collection facilities, ensure these are connected and properly used. Use of dust collection can reduce dust-related hazards.

POWER TOOL USE AND CARE

- Do not force the power tool. Use the correct power tool for your application. The correct power tool will do the job better and safer at the rate for which it was designed.
- Do not use the power tool if the switch does not turn it on and off. Any power tool that cannot be controlled with the switch is dangerous and must be repaired.
- Disconnect the plug from the power source and/or the battery pack from the power tool before making any adjustments, changing accessories, or storing power tools. Such preventive safety measures reduce the risk of starting the power tool accidentally.
- Store idle power tools out of the reach of children and do not allow persons unfamiliar with the power tool or these instructions to operate the power tool. Power tools are dangerous in the hands of untrained users.
- Maintain power tools. Check for misalignment or binding of moving parts, breakage of parts and any other condition that may affect the power tool's operation. If damaged, have the power tool repaired before use. Many accidents are caused by poorly maintained power tools.
- Keep cutting tools sharp and clean. Properly maintained cutting tools with sharp cutting edges are less likely to bind and are easier to control.
- Use the power tool, accessories and tool bits etc. in accordance with these instructions, taking into account the working conditions and the work to be performed. Use of the power tool for operations different from those intended could result in a hazardous situation.

BATTERY TOOL USE AND CARE

- Recharge only with the charger specified by the manufacturer. A charger that is suitable for one type of battery pack may create a risk of fire when used with another battery pack.

- Use power tools only with specifically designed battery packs. Use of any other battery packs may create a risk of injury and fire.
- When battery pack is not in use, keep it away from other metal objects like paper clips, coins, keys, nails, screws, or other small metal objects that can make a connection from one terminal to another. Shorting the battery terminals together may cause burns or a fire.
- Under abusive conditions, liquid may be ejected from the battery; avoid contact. If contact accidentally occurs, flush with water. If liquid contacts eyes, additionally seek medical help. Liquid ejected from the battery may cause irritation or burns.


SERVICE

- Have your power tool serviced by a qualified repair person using only identical replacement parts. This will ensure that the safety of the power tool is maintained.

SPECIFIC SAFETY RULES

- Hold power tool by insulated gripping surfaces, when performing an operation where the cutting accessory may contact hidden wiring. Cutting accessory contacting a “live” wire may make exposed metal parts of the power tool “live” and could give the operator an electric shock.
- Use clamps or another practical way to secure and support the workpiece to a stable platform. Holding the work by hand or against your body leaves it unstable and may lead to loss of control.
- Maintain labels and nameplates. These carry important information. If unreadable or missing, contact a MILWAUKEE service facility for a free replacement.
- WARNING Some dust created by power sanding, sawing, grinding, drilling, and other construction activities contains chemicals known to cause cancer, birth defects or other reproductive harm. Some examples of these chemicals are:
 - lead from lead-based paint
 - crystalline silica from bricks and cement and other masonry products, and
 - arsenic and chromium from chemically-treated lumber.
 Your risk from these exposures varies, depending on how often you do this type of work. To reduce your exposure to these chemicals: work in a well ventilated area, and work with approved safety equipment, such as those dust masks that are specially designed to filter out microscopic particles.

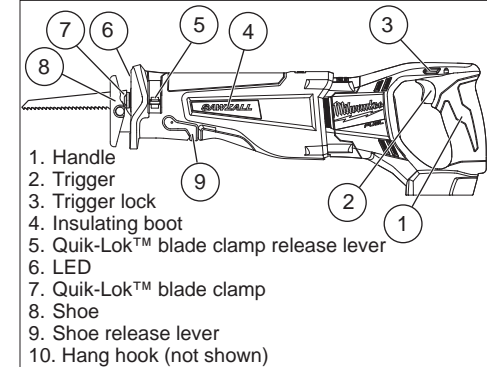
SYMBOLGY

V	Volts
---	Direct Current
n ₀ XXXXmin. ⁻¹	No Load Strokes per Minute (SPM)
 US	Underwriters Laboratories, Inc. United States and Canada

SPECIFICATIONS

Cat. No.	Volts DC	No Load Strokes Per Minute	Length of Stroke
2720-20	18	0 - 3000	1-1/8"

FUNCTIONAL DESCRIPTION



ASSEMBLY

⚠ WARNING Recharge only with the charger specified for the battery. For specific charging instructions, read the operator's manual supplied with your charger and battery.

Inserting/Removing the Battery

To remove the battery, push in the release buttons and pull the battery pack away from the tool. To insert the battery, slide the pack into the body of the tool. Make sure it latches securely into place.

⚠ WARNING To reduce the risk of injury, always remove battery pack before changing or removing accessories. Only use accessories specifically recommended for this tool. Others may be hazardous.

Selecting a Blade

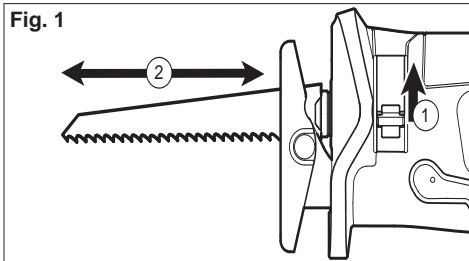
The Quik-Lok® Blade Clamp can be used with all 1/2" shank universal Sawzall® blades. Use MILWAUKEE High Performance Super Sawzall® blades for best performance. When selecting a blade, choose the right type and length. Many types of blades are available for a variety of applications: cutting metal, wood, nail-embedded wood, scroll cutting, roughing-in, and contours. Many lengths are also available. Choose a length long enough to extend beyond the shoe and your work throughout the stroke. Do not use blades less than 4" long since they won't extend beyond the shoe throughout the stroke. For best performance and longest life, see your MILWAUKEE Electric Tool catalog or go online to www.milwaukeekeetool.com to select the best blade for the job.

Installing and Removing Blades from the Quik-Lok® Blade Clamp

Remove battery pack before changing blades. Make sure the spindle and blade clamp areas are clean. Metal chips and sawdust may prevent the Quik-Lok® Blade Clamp from clamping securely.

1. Depending on the job, the blade may be inserted with the teeth facing up or down. To **install** a blade, slide the release lever up. Insert the blade into the clamp until the tang butts against the collar.

Fig. 1



2. Release the lever and the spring loaded mechanism will clamp the blade firmly in place.
3. Tug on blade to make sure it is securely locked in place.
4. To **remove** a blade, slide the release lever up and pull the blade from the tool. Be careful when handling hot blades.

Quik-Lok® Blade Clamp Maintenance

- Periodically clean dust and debris from the Quik-Lok® Blade Clamp with dry compressed air.
- If the collar resists, slide the release lever back and forth to shake debris loose.
- Periodically lubricate Quik-Lok® Blade Clamp with a dry lubricant such as graphite.

Removing broken blades from the Quik-Lok® Blade Clamp

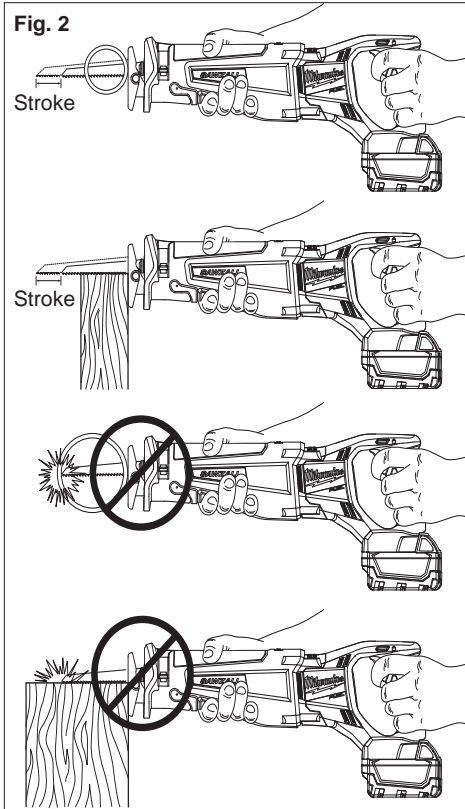
Broken blades can be removed by the following methods.

- Remove battery pack before removing blades.
- Point the tool downward, slide up and hold the release lever, and shake the tool up and down (**DO NOT** turn the tool on while your fingers are holding the blade clamp open). The shank of the broken blade should drop out of the clamp.
- If shaking the tool doesn't work...
In most cases, a corner of the broken blade will extend beyond the blade clamp. Slide up and hold the release lever, and pull the broken blade out of the clamp by this corner.
- If the broken stub doesn't extend far enough to be grabbed by its corner, use a thin blade with small teeth (such as a metal cutting blade) to hook the blade that is jammed in the clamp while holding up the release lever, and pull it out.

Adjusting the Pivot Shoe

WARNING To reduce the risk of injury, blades must extend beyond the shoe and workpiece throughout the stroke. Blades may shatter if they impact the workpiece or shoe. (Fig. 2)

Fig. 2



The shoe can be adjusted forward or backward to eight positions to take advantage of the unused portion of the blade or for special jobs requiring low blade clearance.

1. To adjust the shoe, rotate the shoe release lever toward the front of the tool and slide the shoe forward or backward to the desired position.
 2. To lock the shoe in position, push the shoe release lever up.
 3. After adjusting the shoe, slowly pull the trigger to be sure the blade always extends beyond the shoe and your workpiece throughout the stroke.
- DO NOT OPERATE SAWZALL® WITHOUT SHOE. STRIKING THE SPINDLE AGAINST WORKPIECE MAY DAMAGE THE TOOL.**

OPERATION

WARNING Always remove battery pack before changing or removing accessories. Only use accessories specifically recommended for this tool. Others may be hazardous.

WARNING To reduce the risk of injury, wear safety goggles or glasses with side shields.

Trigger Lock

To **lock** the trigger, push the trigger lock to the right. The trigger will not work while the switch is in the locked position. Always lock the trigger and remove the battery pack before performing maintenance and changing accessories. Lock the trigger when storing the tool and when the tool is not in use. To **unlock** the trigger, push the trigger lock to the left.

WARNING To reduce the risk of personal injury, always hold tool securely.

Starting, Stopping and Controlling Speed

1. To **start** the tool, grasp the handle firmly and pull the trigger.
NOTE: An LED is turned on when the trigger is pulled.
2. To **vary** the speed, increase or decrease the pressure on the trigger. The further the trigger is pulled, the greater the speed.
3. To **stop** the tool, release the trigger. Make sure the blade comes to a complete stop before removing the blade from a partial cut or laying the tool down.

Electric Brake

The electric brake engages when the trigger is released, causing the blade to stop and allowing you to proceed with your work. Generally, the saw blade stops within two seconds. However, there may be a delay between the time you release the trigger and when the brake engages. Occasionally the brake may miss completely. If the brake misses frequently, the saw needs servicing by an authorized *MILWAUKEE* service facility. You must always wait for the blade to stop completely before removing the saw from the workpiece.

General Cutting

For straight or contour cutting from an edge, line the blade up with your cutting line. Before the blade contacts the workpiece, grasp the handle firmly and pull the trigger. Then guide the tool along your cutting line. Always hold the shoe flat against the workpiece to avoid excessive vibration.

Cutting Metals

Begin cutting at a slow speed, gradually increasing speed as you cut. When cutting into metals or hard materials that can not be cut from an edge, drill a starting hole larger than the widest part of the blade.

WARNING To reduce the risk of explosion, electric shock and property damage, always check the work area for hidden gas pipes, electrical wires or water pipes when making blind or plunge cuts.

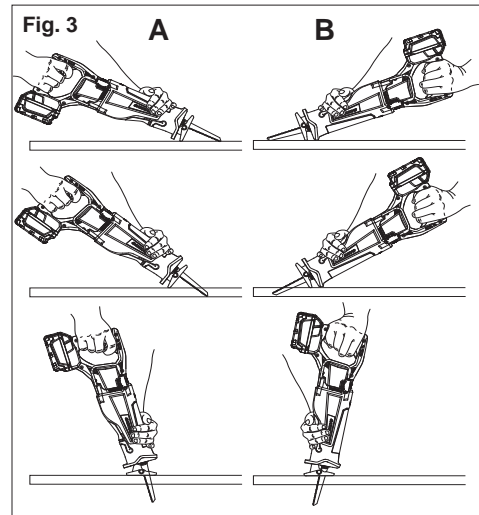
Plunge Cutting

Your *MILWAUKEE* Sawzall® is ideal for plunge cutting directly into surfaces that can not be cut from an edge, such as walls or floors. Plunge cutting may be done two ways depending on how the blade is inserted. Column A shows how to plunge cut with the teeth of the blade facing downward. Column B shows how to plunge cut with the teeth of the blade facing upward. Do not plunge cut into metal surfaces (see "Cutting Metals").

1. Insert the blade into the tool.
If you inserted the blade with the teeth facing downward, hold the tool as shown in Column A, resting the edge of the shoe on the workpiece.
If you inserted the blade with the teeth facing upward, hold the tool as shown in Column B, resting the edge of the shoe on the workpiece.
2. With the blade just above the workpiece, pull the trigger. Using the edge of the shoe as a pivot, lower the blade into the workpiece as shown.
3. As the blade starts cutting, raise the handle of the tool slowly until the shoe rests firmly on the workpiece. Then guide the tool along your cutting line to acquire the desired cut.

NOTE: To make plunge cutting easier, use a heavy gauge blade and install the blade with the teeth facing upward as shown in Column B.

Fig. 3



MAINTENANCE

⚠ WARNING To reduce the risk of injury, always unplug the charger and remove the battery pack from the charger or tool before performing any maintenance. Never disassemble the tool, battery pack or charger. Contact a MILWAUKEE service facility for ALL repairs.

Maintaining Tool

Keep your tool, battery pack and charger in good repair by adopting a regular maintenance program. After six months to one year, depending on use, return the tool, battery pack and charger to A MILWAUKEE service facility for:

- Lubrication
- Mechanical inspection and cleaning (gears, spindles, bearings, housing, etc.)
- Electrical inspection (battery pack, charger, motor)
- Testing to assure proper mechanical and electrical operation

If the tool does not start or operate at full power with a fully charged battery pack, clean the contacts on the battery pack. If the tool still does not work properly, return the tool, charger and battery pack, to a MILWAUKEE service facility for repairs.

⚠ WARNING To reduce the risk of personal injury and damage, never immerse your tool, battery pack or charger in liquid or allow a liquid to flow inside them.

Cleaning

Clean dust and debris from charger and tool vents. Keep tool handles clean, dry and free of oil or grease. Use only mild soap and a damp cloth to clean the tool, battery pack and charger since certain cleaning agents and solvents are harmful to plastics and other insulated parts. Some of these include gasoline, turpentine, lacquer thinner, paint thinner, chlorinated cleaning solvents, ammonia and household detergents containing ammonia. Never use flammable or combustible solvents around tools.

Repairs

For repairs, return the tool, battery pack and charger to the nearest service center.

ACCESSORIES

⚠ WARNING Always remove battery pack before changing or removing accessories. Only use accessories specifically recommended for this tool. Others may be hazardous.

For a complete listing of accessories refer to your MILWAUKEE Electric Tool catalog or go online to www.milwaukeeetool.com. To obtain a catalog, contact your local distributor or service center.

LIMITED WARRANTY - USA AND CANADA

Every MILWAUKEE power tool (including cordless product – tool, battery pack(s) - see separate & distinct CORDLESS BATTERY PACK LIMITED WARRANTY statements & battery charger and Work Lights*) is warranted to the original purchaser only to be free from defects in material and workmanship. Subject to certain exceptions, MILWAUKEE will repair or replace any part on an electric power tool which, after examination, is determined by MILWAUKEE to be defective in material or workmanship for a period of five (5) years* after the date of purchase unless otherwise noted. Return of the power tool to a MILWAUKEE factory Service Center location or MILWAUKEE Authorized Service Station, freight prepaid and insured, is required. A copy of the proof of purchase should be included with the return product. This warranty does not apply to damage that MILWAUKEE determines to be from repairs made or attempted by anyone other than MILWAUKEE authorized personnel, misuse, alterations, abuse, normal wear and tear, lack of maintenance, or accidents.

*The warranty period for, Job Site Radios, M12™ Power Port, M18™ Power Source, and Trade Titan™ Industrial Work Carts is one (1) year from the date of purchase. The warranty period for a LED Work Light and LED Upgrade Bulb is a limited LIFETIME warranty to the original purchaser only, if during normal use the LED bulb fails the Work Light or Upgrade Bulb will be replaced free of charge.

*This warranty does not cover Air Nailers & Stapler, Airless Paint Sprayer, Cordless Battery Packs, Gasoline Driven Portable Power Generators, Hand Tools, Hoist – Electric, Lever & Hand Chain, M12™ Heated Jackets, Reconditioned product and Test & Measurement products. There are separate and distinct warranties available for these products.

Warranty Registration is not necessary to obtain the applicable warranty on a MILWAUKEE power tool product. The manufacturing date of the product will be used to determine the warranty period if no proof of purchase is provided at the time warranty service is requested.

ACCEPTANCE OF THE EXCLUSIVE REPAIR AND REPLACEMENT REMEDIES DESCRIBED HEREIN IS A CONDITION OF THE CONTRACT FOR THE PURCHASE OF EVERY MILWAUKEE PRODUCT. IF YOU DO NOT AGREE TO THIS CONDITION, YOU SHOULD NOT PURCHASE THE PRODUCT. IN NO EVENT SHALL MILWAUKEE BE LIABLE FOR ANY INCIDENTAL, SPECIAL, CONSEQUENTIAL OR PUNITIVE DAMAGES, OR FOR ANY COSTS, ATTORNEY FEES, EXPENSES, LOSSES OR DELAYS ALLEGED TO BE AS A CONSEQUENCE OF ANY DAMAGE TO, FAILURE OF, OR DEFECT IN ANY PRODUCT INCLUDING, BUT NOT LIMITED TO, ANY CLAIMS FOR LOSS OF PROFITS. SOME STATES DO NOT ALLOW THE EXCLUSION OR LIMITATION OF INCIDENTAL OR CONSEQUENTIAL DAMAGES, SO THE ABOVE LIMITATION OR EXCLUSION MAY NOT APPLY TO YOU. THIS WARRANTY IS EXCLUSIVE AND IN LIEU OF ALL OTHER EXPRESS WARRANTIES, WRITTEN OR ORAL. TO THE EXTENT PERMITTED BY LAW, MILWAUKEE DISCLAIMS ANY IMPLIED WARRANTIES, INCLUDING WITHOUT LIMITATION ANY IMPLIED WARRANTY OF MERCHANTABILITY OR FITNESS FOR A PARTICULAR USE OR PURPOSE; TO THE EXTENT SUCH DISCLAIMER IS NOT PERMITTED BY LAW, SUCH IMPLIED WARRANTIES ARE LIMITED TO THE DURATION OF THE APPLICABLE EXPRESS WARRANTY AS DESCRIBED ABOVE. SOME STATES DO NOT ALLOW LIMITATIONS ON HOW LONG AN IMPLIED WARRANTY LASTS, SO THE ABOVE LIMITATION MAY NOT APPLY TO YOU. THIS WARRANTY GIVES YOU SPECIFIC LEGAL RIGHTS, AND YOU MAY ALSO HAVE OTHER RIGHTS WHICH VARY FROM STATE TO STATE. This warranty applies to product sold in the U.S.A. and Canada only.

Please consult the 'Service Center Search' in the Parts & Service section of MILWAUKEE's website www.milwaukeeetool.com or call **1.800.SAWDUST (1.800.729.3878)** to locate your nearest service facility for warranty and non-warranty service on a Milwaukee electric power tool.

LIMITED WARRANTY - MEXICO, CENTRAL AMERICA AND CARIBBEAN

TECHTRONIC INDUSTRIES' warranty is for 5 year since the original purchase date.

This warranty card covers any defect in material and workmanship on this Power Tool.

To make this warranty valid, present this warranty card, sealed/stamped by the distributor or store where you purchased the product, to the Authorized Service Center (ASC). Or, if this card has not been sealed/stamped, present the original proof of purchase to the ASC.

Call toll-free 1 800 832 1949 to find the nearest ASC, for service, parts, accessories or components.

Procedure to make this warranty valid

Take the product to the ASC, along with the warranty card sealed/stamped by the distributor or store where you purchased the product, and there any faulty piece or component will be replaced without cost for you. We will cover all freight costs relative with this warranty process.

Exceptions

This warranty is not valid in the following situations:

- a) When the product is used in a different manners from the end-user guide or instruction manual.
- b) When the conditions of use are not normal.
- c) When the product was modified or repaired by people not authorized by TECHTRONIC INDUSTRIES.

Note: If cord set is damaged, it should be replaced by an Authorized Service Center to avoid electric risks.

Model: _____

Date of Purchase: _____

Distributor or Store Stamp: _____

SERVICE AND ATTENTION CENTER
Av. Presidente Mazarik 29 Piso 7, 11570 Chapultepec Morales
Miguel Hidalgo, Distrito Federal, Mexico
Ph. 52 55 4160-3547

IMPORTED AND COMMERCIALIZED BY:
TECHTRONIC INDUSTRIES MEXICO, S.A. DE C.V.
Av. Presidente Mazarik 29 Piso 7, 11570 Chapultepec Morales
Miguel Hidalgo, Distrito Federal, Mexico

RÈGLES DE SÉCURITÉ GÉNÉRALES RELATIVES AUX OUTILS ÉLECTRIQUES

AVERTISSEMENT LIRE TOUTES LES RÈGLES ET INSTRUCTIONS DE SÉCURITÉ. Ne pas suivre l'ensemble des règles et instructions peut entraîner une électrocution, un incendie ou des blessures graves. **Conserver les règles et les instructions à des fins de référence ultérieure.** Le terme «outil électrique» figurant dans les avertissements ci-dessous renvoie à l'outil électrique à alimentation par le réseau (à cordon) ou par batterie (sans fil).

SÉCURITÉ DU LIEU DE TRAVAIL

- **Maintenir la zone de travail propre et bien éclairée.** Les zones encombrées ou mal éclairées sont favorables aux accidents.
- **Ne pas utiliser d'outil électrique dans une atmosphère explosive, telle qu'en en présence de liquides, de gaz ou de poussières inflammables.** Les outils électriques génèrent des étincelles qui peuvent enflammer les poussières ou les fumées.
- **Tenir les enfants et les personnes non autorisées à l'écart pendant le fonctionnement d'un outil électrique.** Un manque d'attention de l'opérateur risque de lui faire perdre le contrôle de l'outil.

SÉCURITÉ ÉLECTRIQUE

- **La fiche de l'outil électrique doit correspondre à la prise d'alimentation. Ne jamais modifier la fiche d'une manière quelconque. Ne pas utiliser d'adaptateur avec les outils électriques mis à la terre (à la masse).** Des fiches non modifiées et des prises d'alimentation assorties réduisent le risque de choc électrique.
- **Éviter tout contact corporel avec des surfaces reliées à la masse ou à la terre telles que tuyaux, radiateurs, cuisinières et réfrigérateurs.** Un risque de choc électrique plus élevé existe si le corps est relié à la masse ou à la terre.
- **Ne pas exposer les outils électriques à la pluie ou à l'humidité.** Le risque de choc électrique augmente si de l'eau s'infiltré dans un outil électrique.
- **Prendre soin du cordon. Ne jamais utiliser le cordon pour transporter, tirer ou débrancher l'outil électrique.** Tenir le cordon à l'écart de la chaleur, des huiles, des arêtes coupantes ou des pièces en mouvement. Un cordon endommagé ou emmêlé présente un risque accru de choc électrique.
- **Se procurer un cordon d'alimentation approprié en cas d'utilisation d'un outil électrique à l'extérieur.** L'utilisation d'un cordon d'alimentation pour usage extérieur réduit le risque de choc électrique.
- **S'il est nécessaire d'utiliser l'outil électrique dans un endroit humide, installer un disjoncteur différentiel (GFCI).** L'utilisation d'un GFCI réduit le risque de décharge électrique.

SÉCURITÉ INDIVIDUELLE

- **Être sur ses gardes, être attentif et faire preuve de bon sens en utilisant un outil électrique. Ne pas utiliser un outil électrique en cas de fatigue ou sous l'influence de drogues, d'alcool ou de médicaments.** Un instant d'inattention lors de l'utilisation d'un outil électrique peut entraîner des blessures graves.

- **Porter l'équipement de protection requis. Toujours porter une protection oculaire.** Selon les conditions, porter aussi un masque anti-poussières, des bottes de sécurité antidérapantes, un casque protecteur ou une protection auditive afin de réduire les blessures.
- **Empêcher les démarrages accidentels. S'assurer que la gâchette est en position d'arrêt avant de brancher l'outil à une source de courant, d'insérer la batterie, de le ramasser ou de le transporter.** Le fait de transporter l'outil en gardant le doigt sur la gâchette ou de le brancher lorsque la gâchette est en position de marche favorise les accidents.
- **Retirer toute clé de réglage avant de mettre l'outil sous tension.** Une clé laissée attachée sur une pièce mobile de l'outil électrique peut entraîner des blessures.
- **Ne pas travailler à bout de bras. Bien garder un bon équilibre à tout instant.** Ceci permet de mieux préserver la maîtrise de l'outil électrique dans des situations imprévues.
- **Porter des vêtements adéquats. Ne pas porter de vêtements amples ni de bijoux. Ne pas approcher les cheveux, vêtements et gants des pièces en mouvement.** Les vêtements amples, les bijoux ou les cheveux longs risquent d'être happés par les pièces en mouvement.
- **Si des dispositifs sont prévus pour l'extraction et la récupération des poussières, vérifier qu'ils sont connectés et utilisés correctement.** L'utilisation de ces dispositifs peut réduire les risques liés aux poussières.

UTILISATION ET ENTRETIEN DE L'OUTIL ÉLECTRIQUE

- **Ne pas forcer l'outil électrique. Utiliser l'outil électrique approprié à l'application considérée.** L'outil électrique adapté au projet considéré produira de meilleurs résultats, dans des conditions de sécurité meilleures, à la vitesse pour laquelle il a été conçu.
- **Ne pas utiliser l'outil électrique si le commutateur ne le met pas sous ou hors tension.** Tout outil électrique dont le commutateur de marche-arrêt est inopérant est dangereux et doit être réparé.
- **Débrancher la fiche de la prise d'alimentation et/ou la batterie de la prise d'alimentation avant d'effectuer des réglages, de changer d'accessoires ou de ranger l'outil.** De telles mesures de sécurité préventive réduisent le risque de mettre l'outil en marche accidentellement.
- **Ranger les outils électriques inutilisés hors de la portée des enfants et ne pas laisser des personnes qui connaissent mal les outils électriques ou ces instructions utiliser ces outils.**

Les outils électriques sont dangereux dans les mains d'utilisateurs non formés à leur usage.

- **Entretien des outils électriques. S'assurer de l'absence de tout désalignement ou de grippage des pièces mobiles, de toute rupture de pièce ou de toute autre condition qui pourrait affecter le bon fonctionnement de l'outil électrique.** En cas de dommages, faire réparer l'outil avant de l'utiliser de nouveau. Les outils électriques mal entretenus sont à la source de nombreux accidents.
- **Garder les outils de coupe affûtés et propres.** Les outils de coupe correctement entretenus et bien affûtés risquent moins de se gripper et sont plus faciles à manier.
- **Utiliser l'outil électrique, les accessoires, les grains etc. conformément à ces instructions en tenant compte des conditions de travail et de la tâche à effectuer.** L'utilisation de cet outil électrique pour effectuer une opération pour laquelle il n'est pas conçu peut occasionner une situation dangereuse.

UTILISATION ET ENTRETIEN DE LA BATTERIE

- **Ne recharger la batterie qu'avec le chargeur spécifié par le fabricant.** Un chargeur qui convient à un type de batterie peut créer un risque d'incendie s'il est utilisé avec un autre type de batterie.
- **N'utiliser les outils électriques qu'avec les batteries spécialement conçues pour eux.** L'utilisation de batteries d'autres marques peut créer un risque de blessure et d'incendie.
- **Lorsque la batterie est hors service, la ranger à l'écart d'autres objets métalliques tels que trombones, pièces de monnaie, clés, clous, vis et autres petits objets métalliques qui peuvent établir une connexion d'une borne à l'autre.** Un court-circuit aux bornes de la batterie peut provoquer des brûlures ou un incendie.
- **Du liquide peut être éjecté de la batterie en cas de manutention abusive ; éviter tout contact. En cas de contact accidentel avec les projections, rincer à l'eau. En cas de contact avec les yeux, consulter un médecin.** Le liquide s'échappant de la batterie peut provoquer des irritations ou des brûlures.

ENTRETIEN

- **Faire effectuer l'entretien de l'outil électrique par un technicien qualifié qui n'utilisera que des pièces de rechange identiques.** La sécurité d'utilisation de l'outil en sera préservée.

RÈGLES DE SÉCURITÉ SPÉCIFIQUES

- **Lorsque l'outil est utilisé pour un travail risquant de mettre l'accessoire de coupe en contact avec des fils électriques cachés, le tenir par les surfaces de prise isolées.** Le contact d'un accessoire de coupe avec un fil sous tension « électrifie » les pièces métalliques exposées de l'outil et peut électrocuter l'utilisateur.
- **Dans la mesure du possible, utiliser des serre-joints ou un autre moyen pratique pour maintenir la pièce sur une surface stable.** Le fait de tenir la pièce à travailler avec ses mains

ou contre son corps la rend instable et peut occasionner une perte de contrôle.

- **Maintenir en l'état les étiquettes et les plaques d'identification.** Des informations importantes y figurent. Si elles sont illisibles ou manquantes, contacter un centre de services et d'entretien MILWAUKEE pour un remplacement gratuit.
- **AVERTISSEMENT!** Certaines poussières générées par les activités de ponçage, de coupe, de rectification, de perçage et d'autres activités de construction contiennent des substances considérées être la cause de malformations congénitales et de troubles de l'appareil reproducteur. Parmi ces substances figurent :
 - le plomb contenu dans les peintures à base de plomb
 - la silice cristalline des briques, du ciment et d'autres matériaux de maçonnerie, ainsi que
 - l'arsenic et le chrome des sciages traités chimiquement.

Les risques encourus par l'opérateur envers ces expositions varient en fonction de la fréquence de ce type de travail. Pour réduire l'exposition à ces substances chimiques, l'opérateur doit : travailler dans une zone bien ventilée et porter l'équipement de sécurité approprié, tel qu'un masque anti-poussière spécialement conçu pour filtrer les particules microscopiques.

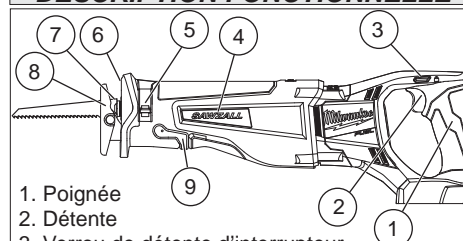
SPECIFICATIONS

No de Cat.	Volts cd	Cycles par minute	Longueur de course
2720-20	18	0 - 3 000	29 mm (1-1/8)

PICTOGRAPHIE

	Volts
	Tension CD seul
n_0 xxxxmin. ⁻¹	Cycles par minute à vide (SPM)
	Underwriters Laboratories, Inc. États-Unis et Canada

DESCRIPTION FONCTIONNELLE



1. Poignée
2. Détoné
3. Verrou de détoné d'interrupteur
4. Bouclier isolant
5. Levier de verrouillage du porte lame Quik-Lok™
6. DEL
7. Quik-Lok™ fixation de lame
8. Semelle
9. Levier de libération du patin
10. Crochet de rangement (non illustré)

MONTAGE DE L'OUTIL

AVERTISSEMENT Ne recharger la batterie qu'avec le chargeur spécifié. Pour les instructions de charge spécifiques, lire le manuel d'utilisation fourni avec le chargeur et les batteries.

Insertion/Retrait de la batterie

Pour retirer la batterie, enfoncer les boutons de déverrouillage et la tirer hors de l'outil. Pour insérer la batterie, la glisser dans le corps de l'outil. S'assurer qu'elle est fixée solidement.

AVERTISSEMENT Retirez la batterie avant de changer ou d'enlever les accessoires. Utilisez les accessoires spécifiquement recommandés pour cet outil, l'utilisation d'autres accessoires pourrait comporter des risques.

Choix d'une lame

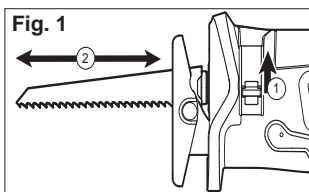
La fixation de lame Quik-Lok® peut être employée avec les lames Sawzall® universelles à tige 13 mm (1/2"). Pour un meilleur résultat, utilisez les lames MILWAUKEE Super Sawzall® à haut rendement. Lorsque vous choisissez une lame assurez-vous que le calibre et la longueur de la lame sont adéquats. Plusieurs genres de lames sont à votre disposition pour effectuer des tâches spécifiques : taille du métal, bois, bois cloué, découpage, dégrossissage et profilage. Les lames sont offertes en plusieurs longueurs. Optez pour une lame assez longue pour que sa course excède la semelle de l'outil et l'épaisseur du matériau à chaque cycle. **N'utilisez pas de lames moins longues que 102 mm (4"), car leur course n'excèdera pas la semelle de l'outil tout au long du cycle.**

Pour de meilleurs résultats et une durabilité accrue, prière de se reporter au catalogue MILWAUKEE Electric Tool ou visiter le site internet www.milwaukeeetool.com pour le choix d'une lame qui convienne à votre tâche.

Fixation de lame Quik-Lok

Retirez la batterie avant de changer la lame. Assurez-vous que le pivot et la fixation de lame sont propres. Des rognures et bran de scie peuvent empêcher la fixation Quik-Lok® de s'enclencher correctement.

1. Selon la tâche à accomplir, la lame peut être installée avec les dents vers le haut ou vers le bas. Pour installer une lame, glisser le levier de relâchement vers le haut. Insérer la lame dans le porte-lame jusqu'à ce que le tenon s'aboute contre le collet.



- Le fait de relâcher le levier et le mécanisme à ressort permet d'attacher la lame solidement en place.
- Tirez sur la lame pour vous assurer qu'elle est bien verrouillée en place.
- Pour retirer une lame, glissez le levier de relâchement vers le haut et tirez la lame hors de l'outil. Soyez prudent avec les lames brûlantes.

Entretien de la fixation de lame Quik-Lok®

- Nettoyez périodiquement la poussière et les débris de la fixation de lame Quik-Lok® à l'aide d'un jet d'air comprimé sec.
- Si le collet résiste à la torsion, tournez le collet dans un sens puis dans l'autre pour chasser les débris.
- Lubrifiez périodiquement la fixation de lame Quik-Lok® avec un lubrifiant sec tel le graphite.

Retrait d'une lame brisée de la fixation de lame Quik-Lok®

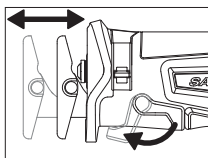
- Retirez la batterie avant d'enlever la lame brisée.
- Les lames brisées peuvent être retirées selon les méthodes ci-dessous.
 - Diriger l'outil vers le bas, glisser le levier de relâchement vers le haut et le maintenir en place, et secouer l'outil de haut en bas (NE PAS mettre l'outil en marche alors que les doigts retiennent le porte-lame ouvert). La queue de la lame brisée devrait tomber du porte-lame.
 - Si vous n'obtenez pas de résultats en secouant l'outil...
Glisser le levier de relâchement vers le haut et le maintenir en place, et tirer la lame brisée hors du porte-lame à partir du coin.
 - S'il est impossible d'attraper le moignon brisé par son coin, utiliser une lame mince munie de petites dents (comme une lame à métal) afin de crocheter la lame coincée dans le porte-lame. Maintenir le levier de relâchement vers le haut et retirer la lame.

Réglage du patin pivot

AVERTISSEMENT Pour réduire les risques de blessures, s'assurer que la lame s'étend toujours au-delà du patin et de la pièce à travailler sur toute la course. Les lames peuvent se briser en cas d'impact sur la pièce à travailler ou le patin. (Fig. 2)

Le patin peut être réglé vers l'avant et l'arrière en huit positions permettant de tirer profit de la portion non utilisée de la lame pour des travaux spéciaux nécessitant un faible dégagement de lame.

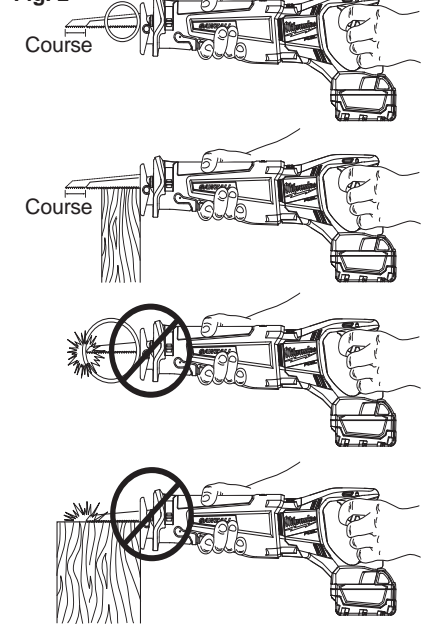
- Pour régler le patin, abaisser le levier de libération du patin et faire glisser le patin vers l'avant ou vers l'arrière à la position souhaitée.
- Pour verrouiller le patin en position, tirer sur le levier de libération du patin.



- Après avoir réglé le patin, appuyer lentement sur la détente pour vérifier que la lame s'étend toujours au-delà du patin et de la pièce à travailler sur toute la course.

NE PAS UTILISER L'OUTIL SAWZALL® SANS PATIN. FRAPPER L'AXE DE LA LAME CONTRE LA PIÈCE À TRAVAILLER PEUT ENDOMMAGER LE MÉCANISME À MOUVEMENT ALTERNATIF.

Fig. 2



MANIEMENT

AVERTISSEMENT Il faut toujours retirer la batterie et verrouiller la détente de l'outil avant de changer ou d'enlever les accessoires. L'emploi d'accessoires autres que ceux qui sont expressément recommandés pour cet outil peut comporter des risques.

AVERTISSEMENT Pour minimiser les risques de blessures, portez des lunettes à coques latérales.

Verrou de détente d'interrupteur

Pour verrouiller la gâchette, pousser son bouton de verrouillage vers la droite. The trigger will not work while the switch is in the locked position. Always lock the trigger and remove the battery pack before performing maintenance and changing accessories. Lock the trigger when storing the tool and when the tool is not in use. Pour déverrouiller la gâchette, pousser son bouton de verrouillage vers la gauche.

AVERTISSEMENT Afin de réduire les risques de blessures, tenez toujours l'outil solidement.

Marche, arrêt et contrôle de la vitesse

- Pour mettre l'outil en marche, saisir fermement la poignée et tirer sur la détente.
NOTE : Une DEL s'allume lorsque la gâchette est tirée.
- Pour faire varier la vitesse, augmenter ou réduire la pression sur la détente. La vitesse augmente en fonction de la pression exercée sur la détente.
- Pour arrêter l'outil, relâcher la détente. Laissez l'outil s'arrêter complètement avant d'en retirer la lame d'une coupe partielle ou de le déposer.

Frein électrique

Le frein électrique s'enclenche lors du relâchement de la pression sur la détente, ce qui a pour effet d'immobiliser la lame et de permettre à l'opérateur de poursuivre son travail. La lame de scie s'immobilise généralement dans les deux secondes qui suivent. Un délai peut se produire toutefois entre le relâchement total de la pression exercée sur la détente et l'enclenchement du frein. Il se peut qu'occasionnellement le frein ne s'enclenche pas du tout. En cas de dysfonctionnement fréquent du frein, faire réparer la scie par un centre d'entretien MILWAUKEE agréé. Il faut toujours attendre l'arrêt complet de la lame avant de retirer la scie de la pièce de travail.

Coupe, en général

Pour des coupes droites ou profilées à partir du bord d'une pièce, alignez la lame sur la ligne de coupe. Avant que la lame ne touche le matériau, empoignez fermement l'outil et appuyez sur la détente. Entamez la coupe en suivant le tracé. Maintenez toujours la semelle de l'outil sur la pièce afin d'éviter l'excès de vibration.

Coupe des métaux

Commencez à couper à basse vitesse et continuez la coupe en augmentant la vitesse graduellement. Lorsque vous taillez dans un métal dur et que vous ne pouvez commencer la coupe à partir du bord de la pièce, percez un trou de départ plus grand que la partie la plus large de la lame.

AVERTISSEMENT Pour minimiser les risques d'explosion, choc électrique et dommages à vos biens, lorsque vous effectuez une coupe en plongée, inspectez toujours l'aire de coupe pour y déceler la présence de fils électriques ou de canalisations.

Coupes en plongée

Votre passe-partout MILWAUKEE Sawzall® est l'outil idéal pour effectuer des coupes en plongée directement dans les surfaces, lorsqu'il est impossible d'entamer une coupe à partir du bord, dans le cas de murs ou de planchers par exemple. La coupe en plongée peut s'effectuer de deux façons, dépendant de la position de la lame. La vignette de la colonne A démontre comment effectuer une coupe en plongée avec les dents de lame orientées

vers le bas. Dans la colonne B, il est démontré comment effectuer une coupe en plongée avec les dents de lame orientées vers le haut. Ne faites pas une coupe en plongée dans une surface métallique (voir «Coupe des métaux»).

1. Insérez la lame dans l'outil.

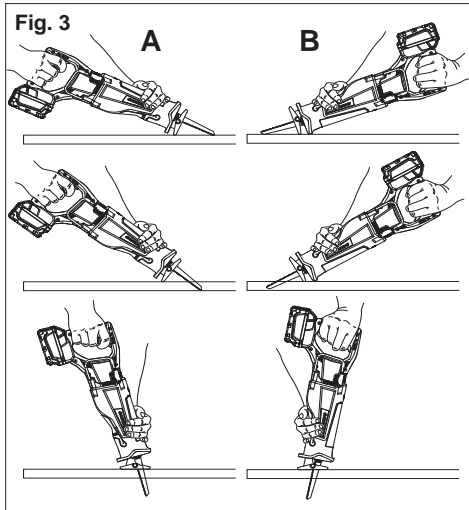
Si vous avez inséré la lame avec les dents orientées vers le bas, tenez l'outil tel qu'indiqué dans la colonne A, laissant le rebord de la semelle de l'outil reposer sur la pièce à tailler.

Si vous avez inséré la lame avec les dents orientées vers le haut, tenez l'outil tel qu'indiqué dans la colonne B, laissant le rebord de la semelle reposer sur la pièce, tel que démontré.

2. Maintenez la lame juste au-dessus de la surface et appuyez sur la détente. En vous servant du rebord de la semelle comme point d'appui, abaissez la lame dans la pièce à tailler, tel qu'indiqué.

3. À mesure que la lame s'enfonce dans la pièce, redressez lentement la poignée de l'outil jusqu'à ce que la semelle repose entièrement sur la surface de la pièce à tailler. Ensuite, guidez l'outil sur la ligne de coupe pour obtenir la coupe désirée.

N.B. Pour faciliter la coupe en plongée, utilisez une lame de calibre lourd que vous installerez avec les dents orientées vers le haut, tel que démontré dans la colonne B.



ACCESOIRES

AVERTISSEMENT Retirez toujours la batterie avant de changer ou d'enlever les accessoires. L'utilisation d'autres accessoires que ceux qui sont spécifiquement recommandés pour cet outil peut comporter des risques.

Pour une liste complète des accessoires, prière de se reporter au catalogue MILWAUKEE Electric Tool ou visiter le site internet www.milwaukeeetool.com. Pour obtenir un catalogue, il suffit de contacter votre distributeur local ou l'un des centres-service.

ENTRETIEN

AVERTISSEMENT Pour minimiser les risques de blessures corporelles, débranchez le chargeur et retirez la batterie du chargeur ou de l'outil avant d'y effectuer des travaux d'entretien. Ne démontez jamais l'outil, la batterie ou le chargeur. Pour toute réparation, consultez un centre de service MILWAUKEE accrédité.

Entretien de l'outil

Gardez l'outil, la batterie et le chargeur en bon état en adoptant un programme d'entretien ponctuel. Après une période de six mois à un an, selon l'utilisation, renvoyez l'outil, la batterie et le chargeur à un centre de service MILWAUKEE accrédité pour les services suivants:

- Lubrification
- Inspection et nettoyage de la mécanique (engrenages, pivots, coussinets, boîtier etc.)
- Inspection électrique (batterie, chargeur, moteur)
- Vérification du fonctionnement électromécanique

Si l'outil ne démarre pas ou ne fonctionne pas à pleine puissance alors qu'il est branché sur une batterie complètement chargée, nettoyez les points de contact entre la batterie et l'outil. Si l'outil ne fonctionne toujours pas correctement, renvoyez l'outil, le chargeur et la batterie à un centre de service MILWAUKEE accrédité, afin qu'on en effectue la réparation (voir «Réparations»).

AVERTISSEMENT Pour minimiser les risques de blessures ou de dommages à l'outil, n'immergez jamais l'outil, la batterie ou le chargeur et ne laissez pas de liquide s'y infiltrer.

Nettoyage

Débarrassez les événements du chargeur et de l'outil des débris et de la poussière. Gardez les poignées de l'outil propres, à sec et exemptes d'huile ou de graisse. Le nettoyage de l'outil, du chargeur et de la batterie doit se faire avec un linge humide et un savon doux. Certains nettoyants tels l'essence, la térébenthine, les diluants à laque ou à peinture, les solvants chlorés, l'ammoniaque et les détergents d'usage domestique qui en contiennent pourraient détériorer le plastique et l'isolation des pièces. Ne laissez jamais de solvants inflammables ou combustibles auprès de l'outil.

Réparations

Pour les réparations, retournez outil, batterie et chargeur en entier au centre-service le plus près.

GARANTIE LIMITÉE - AUX ÉTATS-UNIS ET AU CANADA

Chaque outil électrique MILWAUKEE (y compris les produits sans fil [outils, piles, chargeur de piles, lampe de travail]; consulter les énoncés de la GARANTIE LIMITÉE DES BLOCS-PILES SANS FIL) est garanti à l'acheteur d'origine être exempt de vice de matériau et de fabrication. Sous réserve de certaines exceptions, MILWAUKEE réparera ou remplacera toute pièce d'un outil électrique qui, après examen par MILWAUKEE, s'est avérée être affectée d'un vice de matériau ou de fabrication pendant une période de cinq (5) ans* après la date d'achat, sauf indication contraire. Retourner l'outil électrique, à un centre de réparations en usine MILWAUKEE ou à un poste d'entretien agréé MILWAUKEE, en port prépayé et assuré. Une copie de la preuve d'achat doit être présentée au moment de retourner le produit. Cette garantie ne couvre pas les dommages que MILWAUKEE détermine être causés par des réparations ou des tentatives de réparation par quiconque autre que le personnel agréé par MILWAUKEE, des utilisations incorrectes, des altérations, des utilisations abusives, une usure normale, une carence d'entretien ou des accidents.

*La période de garantie applicable pour les radios de chantier, le port d'alimentation M12™, Source d'énergie M18™, et les chariots de travail industriels Trade Titan™ est d'une durée d'un (1) an à partir de la date d'achat. La période de la garantie couvrant la lampe de travail à DEL et l'ampoule améliorée à DEL est une garantie À VIE limitée à l'acheteur d'origine seulement; si, lors d'une utilisation normale, l'ampoule à DEL présente une défectuosité, la lampe de travail et l'ampoule seront remplacées sans frais.

*Cette garantie ne s'applique pas aux cloueuses-agrafeuses pneumatiques, aux pulvérisateurs à peinture sans air, aux blocs piles pour outils sans fil, aux génératrices d'alimentation portatives à essence, aux outils à main, aux monte-charge – électrique, à levier et à chaîne (manuel), aux vestes chauffantes M12™, aux produits réusinés, ni aux produits d'essai et de mesure. Il existe des garanties distinctes pour ces produits.

L'enregistrement de la garantie n'est pas nécessaire pour bénéficier de la garantie en vigueur sur un outil électrique MILWAUKEE. La date de fabrication du produit servira à établir la période de garantie si aucune preuve d'achat n'est fournie lorsqu'une demande de service sous garantie est présentée.

L'ACCEPTATION DES RECOURS EXCLUSIFS DE RÉPARATION ET DE REMPLACEMENT DÉCRITS AUX PRÉSENTS EST UNE CONDITION DU CONTRAT D'ACHAT DE TOUT PRODUIT MILWAUKEE. SI VOUS N'ACCEPTÉZ PAS CETTE CONDITION, VOUS NE DEVEZ PAS ACHETER LE PRODUIT. EN AUCUN CAS MILWAUKEE NE SAURAIT ÊTRE RESPONSABLE DE TOUT DOMMAGE ACCESSOIRE, SPÉCIAL OU INDIRECT, DE DOMMAGES-INTÉRÊTS PUNITIFS OU DE TOUTE DÉPENSE, D'HONORAIRES D'AVOCATS, DE FRAIS, DE PERTE OU DE DÉLAIS ACCESSOIRES À TOUT DOMMAGE, DÉFAILLANCE OU DÉFAUT DE TOUT PRODUIT, Y COMPRIS NOTAMMENT LES PERTES DE PROFIT. CERTAINS ÉTATS ET PROVINCES NE PERMETTANT PAS L'EXCLUSION OU LA LIMITATION DES DOMMAGES DIRECTS OU INDIRECTS, LES RESTRICTIONS CI-DESSUS PEUVENT NE PAS ÊTRE APPLICABLES. CETTE GARANTIE EST EXCLUSIVE ET REMPLACE TOUTE AUTRE GARANTIE EXPRESSE, QU'ELLE SOIT ORALE OU ÉCRITE. DANS LA MESURE PERMISE PAR LA LOI, MILWAUKEE RENONCE À TOUTE GARANTIE IMPLICITE, Y COMPRIS, SANS S'Y LIMITER, TOUTE GARANTIE IMPLICITE DE QUALITÉ MARCHANDE OU D'ADAPTATION À UNE UTILISATION OU À UNE FIN PARTICULIÈRE. DANS LA MESURE OÙ UNE TELLE STIPULATION D'EXONÉRATION N'EST PAS PERMISE PAR LA LOI, LA DURÉE DE CES GARANTIES IMPLICITES EST LIMITÉE À LA PÉRIODE APPLICABLE DE LA GARANTIE EXPRESSE, TEL QUE DÉCRIT PRÉCÉDEMMENT. CERTAINS ÉTATS ET PROVINCES NE PERMETTANT PAS DE LIMITATION DE DURÉE DES GARANTIES IMPLICITES, LES RESTRICTIONS CI-DESSUS PEUVENT NE PAS ÊTRE APPLICABLES. LA PRÉSENTE CONFÈRE À L'UTILISATEUR DES DROITS LÉGAUX PARTICULIERS; IL BÉNÉFICIE ÉGALEMENT D'AUTRES DROITS QUI VARIENT D'UN ÉTAT À L'AUTRE.

Cette garantie s'applique aux produits vendus aux États-Unis et au Canada uniquement.

Veuillez consulter la rubrique Centre SAV MILWAUKEE, dans la section Pièces & Service du site Web de MILWAUKEE, à l'adresse www.milwaukeeetool.com, ou composer le 1-800-SAWDUST (1-800-729-3878) afin de trouver le centre de réparations en usine MILWAUKEE le plus près.

GARANTIE LIMITÉE – MEXIQUE, AMÉRIQUE CENTRALE ET CARAÏBES

TECHTRONIC INDUSTRIES' garantit le produit pendant cinq ans à partir de la date d'achat d'origine. Le présent bon de garantie couvre tous les vices de matériau et de fabrication que peut afficher cet outil électrique. Pour assurer la validité de la présente garantie, veuillez présenter le bon de commande, estampillé du sceau du distributeur ou du magasin où le produit a été acheté, au centre de réparations agréé. Si le bon de commande n'a pas été estampillé, veuillez fournir la preuve d'achat d'origine au centre de réparations agréé. Pour un entretien, des pièces, des accessoires ou d'autres composants, composer sans frais le 1-800-832-1949 afin d'obtenir les coordonnées du centre de réparations agréé le plus près.

Procédure pour assurer la validité de la garantie

Présenter le produit au centre de réparations agréé, accompagné du bon de commande estampillé du sceau du distributeur ou du magasin où le produit a été acheté. Toute pièce défectueuse ou tout composant défectueux sera remplacé sans frais. Milwaukee assume tous les frais de transport liés à ce processus de garantie.

Exceptions

La garantie ne s'applique pas dans les situations suivantes :

- a) Si le produit a été utilisé pour une fin autre que celle indiquée dans le guide de l'utilisateur final ou le manuel d'instructions.
- b) Si les conditions d'utilisations ne sont pas habituelles.
- c) Si le produit a été modifié ou réparé par une personne non autorisée par TECHTRONIC INDUSTRIES.

Note : Si le cordon électrique est endommagé, il doit être remplacé par un centre de réparations agréé pour éviter les risques d'électrocution.

Modèle : _____

Date d'achat : _____

Sceau du distributeur ou du magasin : _____

CENTRE DE RÉPARATIONS ET DE SERVICE
Av Presidente Mazarik 29 Piso 7, 11570 Chapultepec Morales
Miguel Hidalgo, Distrito Federal, Mexico
Ph. 52 55 4160-3547

IMPORTÉ ET COMMERCIALISÉ PAR :
TECHTRONIC INDUSTRIES MEXICO, S.A. DE C.V.
Av Presidente Mazarik 29 Piso 7, 11570 Chapultepec Morales
Miguel Hidalgo, Distrito Federal, Mexico

ADVERTENCIAS DE SEGURIDAD GENERALES PARA LA HERRAMIENTA ELÉCTRICA

ADVERTENCIA LEA TODAS LAS ADVERTENCIAS E INSTRUCCIONES DE SEGURIDAD. Si no se sigue todas las advertencias e instrucciones, se pueden provocar una descarga eléctrica, un incendio o lesiones graves. **Guarde todas las advertencias e instrucciones para consultarlas en el futuro.** El término "herramienta eléctrica" en todas las advertencias incluidas más abajo se refiere a su herramienta operada por conexión (cable) a la red eléctrica o por medio de una batería (inalámbrica).

SEGURIDAD EN EL ÁREA DE TRABAJO

- Mantenga limpia y bien iluminada el área de trabajo. Las áreas desordenadas u oscuras contribuyen a que se produzcan accidentes.
- No utilice herramientas eléctricas en atmósferas explosivas, como en la presencia de líquidos, gases o polvo inflamables. Las herramientas eléctricas crean chispas que pueden incendiar el polvo o las emanaciones.
- Mantenga a los niños y otras personas alejadas mientras utiliza una herramienta eléctrica. Las distracciones pueden hacerle perder el control.

SEGURIDAD ELÉCTRICA

- Los enchufes de las herramientas eléctricas deben ser del mismo tipo que el tomacorrientes. Nunca realice ningún tipo de modificación en el enchufe. No use enchufes adaptadores con herramientas eléctricas con conexión a tierra. Se reducirá el riesgo de descarga eléctrica si no se modifican los enchufes y los tomacorrientes son del mismo tipo.
- Evite el contacto corporal con superficies con conexión a tierra, como tuberías, radiadores, estufas y refrigeradores. El riesgo de descarga eléctrica aumenta si su cuerpo está conectado a tierra.
- No exponga la herramientas eléctricas a la lluvia o a condiciones de humedad. El agua que entra en una herramienta eléctrica aumenta el riesgo de descarga eléctrica.
- No abuse del cable. Nunca use el cable para transportar la herramienta eléctrica, tirar de ella o desenchufarla. Mantenga el cable alejado del calor, los bordes afilados o las piezas en movimiento. Los cables dañados o enmarañados aumentan el riesgo de descarga eléctrica.
- Cuando se utiliza una herramienta eléctrica en el exterior, use una extensión que sea apropiada para uso en el exterior. El uso de un cable apropiado para el exterior reduce el riesgo de descarga eléctrica.
- Si debe operar una herramienta eléctrica en un lugar húmedo, utilice un suministro protegido por un interruptor de circuito con conexión a tierra (GFCI). Usar un GFCI reduce el riesgo de que se produzcan descargas eléctricas.

SEGURIDAD PERSONAL

- Manténgase alerta, ponga cuidado a lo que está haciendo y use el sentido común cuando utilice una herramienta eléctrica. No use una herramienta eléctrica cuando está cansado o bajo la influencia de drogas, alcohol o medicinas.

Despistarse un minuto cuando se utiliza una herramienta eléctrica puede tener como resultado lesiones personales graves.

- Use un equipo de protección personal. Lleve siempre protección ocular. Llevar un equipo de protección apropiado para la situación, como una máscara antipolvo, zapatos de seguridad antideslizantes, un casco o protección auditiva, reducirá las lesiones personales.
- Evite el encendido accidental. Asegúrese de que el interruptor esté en la posición de apagado antes de conectarlo a la toma de alimentación o a la batería, al levantar o mover la herramienta. Mover herramientas con el dedo en el interruptor o enchufarlas con el interruptor en la posición de encendido contribuye a que se produzcan accidentes.
- Quite todas las llaves de ajuste antes de encender la herramienta. Una llave que esté acoplada a una pieza giratoria de la herramienta puede provocar lesiones personales.
- No se estire demasiado. Mantenga los pies bien asentados y el equilibrio en todo momento. Esto permite tener mejor control de la herramienta eléctrica en situaciones inesperadas.
- Vístase de manera apropiada. No lleve ropa suelta ni joyas. Mantenga el cabello, la ropa y los guantes lejos de las piezas en movimiento. La ropa floja, las joyas o el cabello largo pueden quedar atrapados en las piezas en movimiento.
- Si se proporcionan dispositivos para la conexión de sistemas de recolección y extracción de polvo, asegúrese de que estén conectados y se usen apropiadamente. El uso de estos dispositivos puede reducir los peligros relacionados con el polvo.

USO Y CUIDADO DE LAS HERRAMIENTAS ELÉCTRICAS

- No fuerce la herramienta eléctrica. Use la herramienta eléctrica correcta para la aplicación. La herramienta eléctrica correcta funcionará mejor y de manera más segura a la velocidad para la que se diseñó.
- No use la herramienta eléctrica si el interruptor no la enciende ni la apaga. Cualquier herramienta eléctrica que no se pueda controlar con el interruptor es peligrosa y se debe reparar.
- Desconecte el enchufe de la toma de alimentación y/o la batería de la herramienta eléctrica antes de realizar cualquier ajuste, cambiar accesorios o almacenar las herramientas eléctricas. Dichas medidas preventivas de seguridad reducen el riesgo de que la herramienta se prenda accidentalmente.

- Almacene las herramientas eléctricas fuera del alcance de los niños y no permita que personas no familiarizadas con ellas o estas instrucciones las utilicen. Las herramientas eléctricas son peligrosas en las manos de usuarios no capacitados.
- Mantenimiento de las herramientas eléctricas. Revise que no haya piezas móviles que estén desalineadas o que se atasquen, piezas rotas ni ninguna otra condición que pueda afectar el funcionamiento de la herramienta eléctrica. Si se encuentran daños, haga que le reparen la herramienta antes de usarla. Las herramientas mal mantenidas son la causa de muchos accidentes.
- Mantenga las herramientas de corte limpias y afiladas. Es menos probable que se atasquen las herramientas de corte con filos afilados que se mantienen de manera apropiada y también son más fáciles de controlar.
- Use la herramienta eléctrica, los accesorios, las brocas, etc. siguiendo estas instrucciones, teniendo en cuenta las condiciones de trabajo y la tarea que se va a realizar. El uso de la herramienta eléctrica para operaciones diferentes de aquellas para las que se diseñó podría originar una situación peligrosa.

USO Y CUIDADO DE LAS HERRAMIENTAS CON BATERÍA

- Recárguela solamente con el cargador especificado por el fabricante. Un cargador que sea apropiado para un tipo de batería puede crear riesgo de incendio cuando se use con otra batería.
- Use las herramientas eléctricas solamente con baterías específicamente diseñadas. El uso de cualquier otro tipo de batería puede crear riesgo de lesiones o incendio.
- Cuando no se use la batería manténgala alejada de otros objetos de metal como clips para papel, monedas, llaves, clavos, tornillos u otros objetos de metal pequeños que puedan realizar una conexión entre los bornes. Realizar un cortacircuito en los terminales de la batería puede provocar quemaduras o un incendio.
- Bajo condiciones abusivas, puede salir líquido expulsado de la batería; evitar el contacto. Si se produce un contacto accidental, lavar con agua. Si el líquido entra en contacto con los ojos buscar ayuda médica adicional. El líquido que sale despedido de la batería puede causar irritaciones o quemaduras.

MANTENIMIENTO

- Haga que un técnico calificado realice el mantenimiento de la herramienta eléctrica utilizando solamente piezas de repuesto idénticas. Esto asegurará que se mantiene la seguridad de la herramienta eléctrica.

REGLAS ESPECÍFICAS DE SEGURIDAD

- Sostenga la herramienta eléctrica de las superficies de sujeción aisladas al llevar a cabo una operación en la que el accesorio de corte pueda hacer contacto con cableado

oculto. El contacto del accesorio de corte con un cable que conduzca electricidad puede hacer que las partes metálicas de la herramienta se electrifiquen y podría ocasionar una descarga eléctrica al operador.

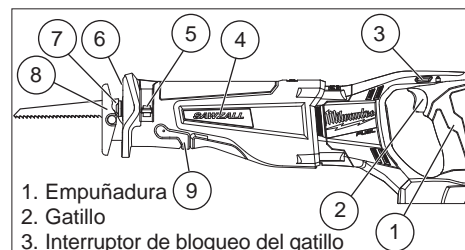
- Utilice prensas de banco u otra forma práctica de sujetar y soportar la pieza de trabajo a una plataforma estable. Sostener el trabajo en las manos o apoyado contra el cuerpo ocasiona inestabilidad y puede generar pérdida de control.
- Mantenga las etiquetas y las placas de identificación. Tienen información importante. Si no se pueden leer o si faltan, póngase en contacto con un centro de servicio MILWAUKEE para obtener un repuesto gratuito.
- ADVERTENCIA : Ciertos polvos creados al lijar, serrar, esmerilar, perforar y realizar otras actividades de construcción contienen productos químicos que se sabe que causan cáncer, defectos congénitos u otros daños al aparato reproductor. Algunos ejemplos de dichos productos químicos son:
 - plomo de pintura con base de plomo
 - sílice cristalino de los ladrillos y cemento y de otros productos de mampostería, y
 - arsénico y cromo de madera tratada químicamente.

Su riesgo de exposición varía dependiendo de la frecuencia con la que realice este tipo de trabajo. Para reducir su exposición a estos productos químicos: trabaje en un área bien ventilada, y trabaje con equipo de seguridad aprobado, como aquellas máscaras antipolvo especialmente diseñadas para filtrar partículas microscópicas.

ESPECIFICACIONES

Cat. No.	Volts cd	Cortes por minuto	Largo de Carrera
2720-20	18	0 - 3 000	29 mm (1-1/8")

DESCRIPCION FUNCIONAL



1. Empuñadura
2. Gatillo
3. Interruptor de bloqueo del gatillo
4. Forro aislante
5. Palanca de liberación del portaseguetas Quik-Lok™
6. LED
7. Quik-Lok™ seguro de la segueta
8. Zapata
9. Palanca de liberación de la zapata
10. Gancho para viga (no se muestra)

SIMBOLOGÍA	
V	Volts
— — —	Corriente directa
n ₀ XXXX min. ⁻¹	Cortes por minuto sin carga (SPM)
UL US	Underwriters Laboratories, Inc. Estados Unidos y Canadá

ENSAMBLAJE

ADVERTENCIA Recargue la batería sólo con el cargador especificado para ella. Para instrucciones específicas sobre cómo cargar, lea el manual del operador suministrado con su cargador y la batería.

Como se inserta/quita la batería en la herramienta

Para retirar la batería, presione los botones de liberación y jale de la batería para sacarla de la herramienta. Para introducir la batería, deslícela en el cuerpo de la herramienta. Asegúrese de que quede bien firme en su posición.

ADVERTENCIA Para reducir el riesgo de lesiones, extraiga siempre la batería antes de acoplar o desacoplar accesorios. Utilice únicamente accesorios específicamente recomendados para esta herramienta. El uso de accesorios no recomendados podría resultar peligroso.

Selección de la segueta

La abrazadera para segueta Quik-Lok® se adapta a seguetas universales Sawzall® con espiga de 13 mm (1/2"). Para un mejor rendimiento, utilice seguetas Super Sawzall® de MILWAUKEE de alto desempeño. Cuando seleccione una segueta, elija el tipo y largo adecuados. Se dispone de diversos tipos de seguetas para una amplia variedad de aplicaciones: cortes en metal, madera, madera con clavos embutidos, calado, desbastado y contorno. También hay seguetas de muchos largos. Seleccione un largo que sea suficiente para que durante su carrera la segueta se extienda más allá de la zapata y del material a cortar. **No use seguetas con un largo menor a 102 mm (4") ya que no llegarán a cortar más allá de la zapata.**

A fin de obtener el mejor rendimiento y una vida útil más larga de la segueta, refiérase a su catálogo MILWAUKEE Electric Tool o visite nuestro sitio en Internet: www.milwaukeetool.com para seleccionar la segueta que mejor se adecue a su trabajo.

Abrazadera para segueta Quik-Lok®

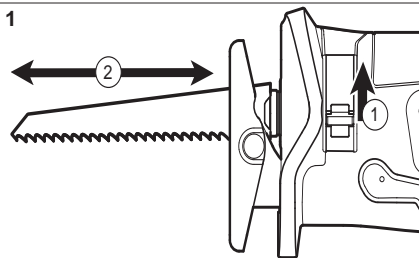
Extraiga la batería antes de cambiar las seguetas. Asegúrese de que la flecha y el área donde se colocará la abrazadera para segueta se encuentren limpios. Las rebabas de metal o el aserrín podrían impedir que la abrazadera para segueta Quik-Lok® quede bien sujeta.

1. Dependiendo del trabajo a realizar, usted podrá colocar la segueta con los dientes hacia abajo o hacia arriba. Para instalar una segueta, deslice

la palanca de liberación hacia arriba. Introduzca la segueta en el portaseguetas hasta que la cola de ésta toque fondo en el anillo.

2. Suelte la palanca. El mecanismo de resorte afianzará la segueta firmemente en su sitio.
3. Tire de la segueta para asegurarse de que se ha afianzado completamente en la abrazadera.
4. Para retirar una segueta, deslice la palanca de liberación hacia arriba y saque la segueta de la herramienta. Tenga cuidado al manejar seguetas calientes.

Fig. 1



Mantenimiento de la abrazadera para segueta Quik-Lok®

- Periódicamente, limpie el polvo y residuos de la abrazadera para segueta Quik-Lok® con aire comprimido seco.
- Si el collar no gire con facilidad, gire el collar hacia la derecha y hacia la izquierda para sacudir los residuos sueltos.
- Periódicamente, lubrique la abrazadera Quik-Lok® con un lubricante seco como el grafito.

Cómo sacar las seguetas rotas de la abrazadera de la segueta Quik-Lok®

Desenchufe la herramienta antes de quitar las seguetas. Se puede sacar la segueta utilizando los siguientes métodos.

- Apunte la herramienta hacia el suelo, desplace la palanca de liberación hacia arriba y sujétela. Sacuda la herramienta hacia arriba y hacia abajo (NO encienda la herramienta mientras sus dedos sostengan el portaseguetas abierto). El fuste de la segueta rota deberá entonces desprenderse del portaseguetas.
- Si no surte efecto el sacudir de la herramienta: En la mayoría de casos, una parte de la segueta rota se extenderá más allá de la abrazadera. Desplace la palanca de liberación hacia arriba y sujétela. Saque la segueta rota del portaseguetas por ese lugar.
- Si el fragmento roto no es lo suficientemente largo para asirlo, utilice una segueta delgada de dientes pequeños (como una segueta para cortar metal) para enganchar la segueta que ha quedado atorada en el portaseguetas y sáquela mientras mantiene hacia arriba la palanca de liberación.

Ajuste de la zapata pivotante

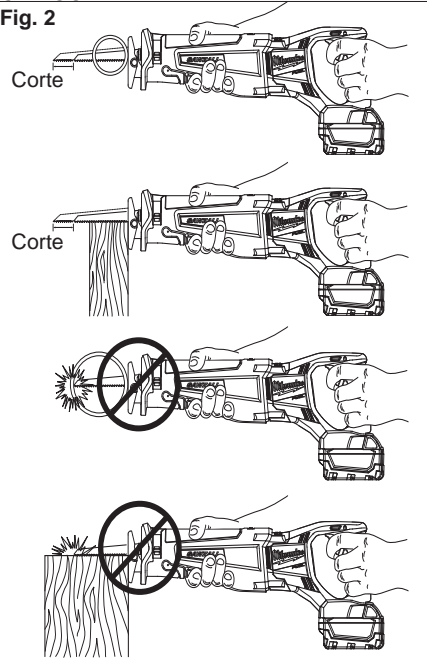
ADVERTENCIA Para reducir el riesgo de lesiones, asegúrese de que la segueta siempre se extienda más allá de la zapata y de la pieza que se desea cortar. Las seguetas pueden romperse si golpean la pieza que se desea cortar o la zapata. (Fig. 2)

La zapata puede colocarse en ocho diferentes posiciones hacia delante y hacia atrás para aprovechar la parte de la segueta que no está siendo usada o para trabajos especiales que requieren un espacio libre reducido para la segueta.

1. Para ajustar la zapata, jale hacia abajo su palanca de liberación y deslice la zapata hacia delante o hacia atrás a la posición deseada.
2. Para trabar la zapata en su posición, empuje hacia arriba su palanca de liberación.
3. Después de ajustar la zapata, tire lentamente del gatillo para asegurarse de que la segueta siempre se extiende más allá de la zapata y de la pieza que se desea cortar.

NO UTILICE EL PORTASEGUETAS SAWZALL® SIN ZAPATA. GOLPEAR EL EJE CONTRA LA PIEZA PUEDE DAÑAR EL MECANISMO DE RECIPROCIDAD.

Fig. 2



OPERACION

ADVERTENCIA Para reducir el riesgo de lesiones, extraiga siempre la batería antes de acoplar o desacoplar accesorios. Utilice únicamente accesorios específicamente recomendados para esta herramienta. El uso de accesorios no recomendados podría resultar peligroso.

ADVERTENCIA Para reducir el riesgo de lesiones, use siempre lentes de seguridad o anteojos con protectores laterales.

Interruptor de bloqueo del gatillo

Para trabar el gatillo, empuje la traba del gatillo

hacia la derecha. El gatillo no funcionará mientras el interruptor esté en esta posición. Siempre asegure el gatillo y saque la batería antes de efectuar el mantenimiento de la herramienta o de cambiar algún accesorio. Asegure el gatillo cuando almacene la herramienta o cuando no la esté utilizando. Para destrabar el gatillo, empuje la traba del gatillo hacia la izquierda.

ADVERTENCIA Para reducir el riesgo de lesiones, sujete la herramienta de manera segura.

Encendido, parada y control de la velocidad

1. Para **arrancar** la herramienta, sujete firmemente la empuñadura y oprima el gatillo.

NOTA: Las vueltas luz LED en cuando el disparador se tira.

2. Para cambiar la velocidad, aumente o disminuya la presión sobre el gatillo. Cuanto más se apriete el gatillo, mayor será la velocidad.

3. Para **detener** la herramienta, suelte el gatillo. Permita que la herramienta se detenga completamente antes de extraer la segueta de un corte parcial o cuando deje de operarla.

Freno eléctrico

El freno eléctrico se activa cuando se suelta el gatillo, haciendo que la segueta se pare y permitiéndole continuar con la tarea. Generalmente, la segueta se para en dos segundos. Sin embargo, puede que haya un retraso entre el momento que suelta el gatillo y cuando se activa el freno. Ocasionalmente el freno puede que se salte completamente. Si el freno se salta con frecuencia, la segueta necesita servicio de un centro de mantenimiento autorizado MILWAUKEE. Siempre debe esperar hasta que la cuchilla se detenga completamente antes de sacar la sierra de la pieza.

Cortes en general

Para cortes rectos o de contornos iniciando desde una orilla, alinee la segueta con su línea de corte. Antes que la segueta haga contacto con el material, empuñela firmemente y oprima el gatillo. Luego guíela por la línea de corte. Mantenga siempre la zapata apoyada completamente contra el material a cortar, así evitará vibraciones excesivas.

Cortes en metal

Inicie el corte a baja velocidad y aumentela gradualmente conforme avanza en el corte. Cuando se corta metales u otros materiales duros que no pueden ser cortados desde una orilla, taladre una perforación de un diámetro que sea mayor a la parte más ancha de la segueta.

ADVERTENCIA Para reducir el riesgo de explosión, descarga eléctrica y daños a la propiedad, verifique que en el área de trabajo donde realizará cortes ciegos o penetrantes no hayan tuberías de gas, cables ni tuberías de agua ocultas.

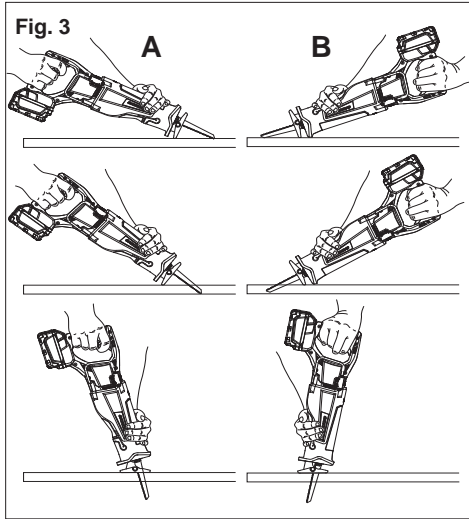
Cortes penetrantes

El Sawzall® de MILWAUKEE es la herramienta ideal para realizar un corte penetrante directo en superficies que no se pueden comenzar a cortar desde

una esquina, como por ejemplo, paredes y pisos. Un corte penetrante se puede realizar de dos modos distintos según se inserte la hoja. La columna A muestra cómo se hace un corte penetrante con los dientes de la hoja orientados hacia abajo. La columna B muestra cómo se hace un corte penetrante con los dientes de la hoja orientados hacia arriba. No haga cortes penetrantes en superficies metálicas (véase "Cortes en Metales").

1. Coloque la següeta en la herramienta.
Si colocó la següeta con los dientes hacia abajo, sujete la herramienta como se ilustra en la Columna A, apoyando el extremo de la zapata sobre el material.
Si colocó la següeta con los dientes hacia arriba, sujete la herramienta como se ilustra en la Columna B, apoyando el extremo de la zapata sobre el material.
2. Con la següeta sólo rozando la superficie del material, oprima el gatillo. Usando el extremo de la zapata como pivote, descienda la següeta sobre el material tal como se ilustra.
3. Conforme la següeta empieza a cortar, levante la empuñadura de la herramienta hasta que la zapata quede apoyada firmemente sobre la superficie. Luego guíe la herramienta por la línea de corte deseada para realizar el corte.

NOTA: Para realizar los cortes interiores mas fácilmente, use una següeta de calibre grueso e instale la següeta con los dientes hacia arriba como se ilustra en la Columna B.



ACCESORIOS

ADVERTENCIA Para reducir el riesgo de lesiones, siempre extraiga la batería antes de cambiar o retirar accesorios. Utilice únicamente accesorios específicamente recomendados para esta herramienta. El uso de accesorios no recomendados podría resultar peligroso.

MANTENIMIENTO

ADVERTENCIA Para reducir el riesgo de una lesión, desconecte siempre la herramienta antes de darle cualquier mantenimiento. Nunca desarme la herramienta ni trate de hacer modificaciones en el sistema eléctrico de la misma. Acuda siempre a un Centro de Servicio MILWAUKEE para TODAS las reparaciones.

Mantenimiento de la herramienta

Adopte un programa regular de mantenimiento y mantenga sus baterías y cargador en buenas condiciones. Después de 6 meses a un año, dependiendo del uso dado, envíe su herramienta, batería y cargador, al Centro de Servicio MILWAUKEE mas cercano para que le hagan:

- Lubricación
- Inspección mecánica y limpieza (engranes, flechas, baleros, carcaza, etc.)
- Inspección eléctrica (batería, cargador, motor)
- Probarla para asegurar una adecuada operación mecánica y eléctrica

Si la herramienta no arranca u opera a toda su potencia con una batería completamente cargada, limpie, con una goma o borrador, los contactos de la batería y de la herramienta. Si aun así la herramienta no trabaja correctamente, regrésela, con el cargador y la batería, a un centro de servicio MILWAUKEE para que sea reparada.

ADVERTENCIA Para reducir el riesgo de una explosión, no queme nunca una batería, aun si está dañada, "muerta" o completamente descargada.

Limpieza

Limpie el polvo y suciedad de las ventilas del cargador y la herramienta. Mantenga los mangos y empuñaduras limpios, secos y libres de aceite o grasa. Use solo jabón neutro y un trapo húmedo para limpiar la herramienta, batería y el cargador, ya que algunos substancias y solventes limpiadores son dañinos a los plásticos y partes aislantes. Algunos de estos incluyen: gasolina, turpentina, thinner, lacas, thinner para pinturas, solventes para limpieza con cloro, amoníaco y detergentes caseros que tengan amonia. Nunca usa solventes inflamables o combustibles cerca de una herramienta.

Reparaciones

Si su herramienta, batería o cargador están dañados, envíela al centro de servicio más cercano.

Para una lista completa de accesorios, refiérase a su catálogo MILWAUKEE Electric Tool o visite nuestro sitio en Internet: www.milwaukeetool.com. Para obtener un catálogo, contacte su distribuidor local o uno de los centros de servicio.

GARANTÍA LIMITADA - E.U.A. Y CANADÁ

Se garantiza al comprador original que ninguna de las herramientas eléctricas MILWAUKEE (incluido el producto inalámbrico, la herramienta y las baterías; consulte las declaraciones distintas y por separado en GARANTÍA LIMITADA DEL PAQUETE DE BATERIAS INALÁMBRICAS y de las luces de trabajo y del cargador de baterías*) presentan defectos en material ni en mano de obra. En un plazo de cinco (5) años* a partir de la fecha de compra y sujeto a ciertas excepciones, MILWAUKEE reparará o reemplazará cualquier parte de una herramienta eléctrica que, luego de ser examinada, MILWAUKEE compruebe que presenta defectos en material o mano de obra, a menos que se indique lo contrario. Se requiere la devolución de la herramienta eléctrica a un centro de mantenimiento de la fábrica MILWAUKEE o a un centro de reparaciones autorizado por MILWAUKEE, con gastos de envío prepagados y asegurados. La devolución del producto debe estar acompañada por un comprobante de compra. Esta garantía no se aplica a los daños que MILWAUKEE establece que fueron ocasionados por reparaciones o intentos de reparación por parte de personal no autorizado por MILWAUKEE, uso indebido, alteraciones, abuso, desgaste y deterioro normal, falta de mantenimiento o accidentes.

*El período de garantía de las radios para obras, del puerto de alimentación M12™, Fuente de poder M18™, y de las carretillas de trabajo industrial Trade Titan™ es de un (1) año a partir de la fecha de compra. El período de garantía de la lámpara de trabajo con diodo luminiscente y del foco mejorado con diodo luminiscente es una garantía VITALICIA limitada para el comprador original únicamente. Si durante el uso normal el foco de diodo luminiscente no funciona, la lámpara de trabajo o el foco mejorado se reemplazará sin carga.

*Esta garantía no cubre las clavadoras aéreas, las engrapadoras, el rociador de pintura inalámbrico, el paquete de baterías inalámbrico, los generadores eléctricos portátiles que funcionan con gasolina, herramientas manuales, elevadores (eléctricos, con palanca y con cadenas manuales), camisas de calefacción M12™, productos reacondicionados y productos de prueba y medición. Se encuentran disponibles garantías distintas para estos productos.

No se necesita registro de garantía para obtener la garantía correspondiente de un producto eléctrico MILWAUKEE. La fecha de fabricación del producto se utilizará para determinar el período de garantía si no se presenta un comprobante de compra en el momento en que se solicita el servicio de garantía.

LA ACEPTACIÓN DE LOS DERECHOS A REPARACIÓN Y REEMPLAZO EXCLUSIVAMENTE DESCRITOS EN EL PRESENTE DOCUMENTO CONSTITUYE UNA CONDICIÓN DEL CONTRATO POR LA COMPRA DE CADA PRODUCTO MILWAUKEE. SI NO ACEPTA ESTA CONDICIÓN, NO DEBE COMPRAR EL PRODUCTO. MILWAUKEE NO SERÁ EN NINGUN CASO RESPONSABLE DE DAÑOS INCIDENTALES, ESPECIALES, CONSECUENTES O PUNITIVOS, NI DE COSTOS, HONORARIOS DE ABOGADOS, GASTOS, PERDIDAS O DEMORAS SUPUESTAMENTE CAUSADOS COMO CONSECUENCIA DE CUALQUIER DAÑO, FALLA O DEFECTO EN CUALQUIER PRODUCTO, INCLUIDOS, A MODO DE EJEMPLO, RECLAMOS POR PÉRDIDA DE GANANCIAS. ALGUNOS ESTADOS NO PERMITEN LA EXCLUSIÓN O LA LIMITACIÓN DE DAÑOS INCIDENTALES O CONSECUENTES, POR LO TANTO, LAS LIMITACIONES Y EXCLUSIONES ANTERIORES PUEDEN NO APLICARSE PARA USTED. ESTA GARANTÍA ES EXCLUSIVA Y SUSTITUYE A TODAS LAS OTRAS GARANTÍAS EXPRESAS, ESCRITAS U ORALES. SEGÚN LO PERMITA LA LEY, MILWAUKEE SE EXIME DE TODA GARANTÍA IMPLÍCITA, INCLUIDOS, A MODO DE EJEMPLO, TODA GARANTÍA IMPLÍCITA DE COMERCIABILIDAD O IDONEIDAD PARA UN USO O PROPOSITO EN PARTICULAR; EN LA MEDIDA EN QUE DICHA RENUNCIA NO ESTÉ PERMITIDA POR LA LEY, DICHAS GARANTÍAS IMPLÍCITAS ESTÁN LIMITADAS A LA DURACIÓN DE LA GARANTÍA EXPRESA APLICABLE SEGÚN SE DESCRIBE ANTERIORMENTE. ALGUNOS ESTADOS NO PERMITEN LIMITACIONES EN LA DURACIÓN DE UNA GARANTÍA IMPLÍCITA. POR LO TANTO, LA LIMITACIÓN ANTERIOR PUEDE NO APLICARSE PARA USTED. ESTA GARANTÍA LE OTORGA DERECHOS LEGALES ESPECÍFICOS Y TAMBIÉN PUEDE TENER OTROS DERECHOS QUE VARIAN DE ESTADO EN ESTADO.

Esta garantía se aplica a los productos vendidos en los EE. UU. y Canadá.

Consulte 'Service Center Search' (Búsqueda de centro de servicio) en la sección Parts & Services (Piezas y servicios) del sitio web MILWAUKEE, www.milwaukeetool.com o llame al 1.800.SAWDUST (1.800.729.3878) para encontrar su Centro de Servicio de la fábrica de MILWAUKEE más cercano.

PÓLIZA DE GARANTÍA - VALIDA SOLO PARA MÉXICO, AMÉRICA CENTRAL Y EL CARIBE

TECHTRONIC INDUSTRIES., garantiza por 5 años este producto a partir de la fecha original de compra. Esta garantía cubre cualquier defecto que presenten las piezas, componentes y la mano de obra contenidas en este producto Para América Central y el Caribe se debe confirmar en el Centro de Servicio Autorizado el plazo de la garantía. Para hacer efectiva la Garantía deberá presentar al Centro de Servicio Autorizado la Póliza de Garantía sellada por el establecimiento en donde adquirió el producto. Si no la tienen, podrá presentar el comprobante de compra original. Usted puede llamar sin costo al teléfono 01 800 832 1949 o por correo electrónico a la dirección "servicio@ttigroupna.com", para ubicar el Centro de Servicio Autorizado más cercano a su domicilio, en el cual además podrá adquirir partes, componentes, consumibles y accesorios, que usted necesite.

Procedimiento para hacer válida la garantía

Acuda al Centro de Servicio con el producto y la póliza de garantía sellada por el establecimiento donde realizó la compra. Ahí se reemplazará cualquier pieza o componente defectuoso sin cargo alguno para el usuario final. La empresa se hace responsable de los gastos de transportación razonablemente erogados que se deriven del cumplimiento de la presente garantía.

Excepciones

La garantía perderá validez en los siguientes casos:

- a) Cuando el producto se hubiese utilizado en condiciones distintas a las normales.
 - b) Cuando el producto no hubiese sido operado de acuerdo con el instructivo de uso que le acompaña.
 - c) Cuando el producto hubiese sido alterado o reparado por personas no autorizadas por TECHTRONIC INDUSTRIES.
- Nota: Si el cordón de alimentación es dañado, este debe ser reemplazado por el fabricante o por un Centro de Servicio Autorizado para evitar riesgo.

Modelo: _____

Fecha de Compra: _____

Sello del Distribuidor: _____

CENTRO DE SERVICIO Y ATENCIÓN A CLIENTES
Av Presidente Mazarik 29 Piso 7, 11570 Chapultepec Morales
Miguel Hidalgo, Distrito Federal, Mexico
Tel. 52 55 4160-3547

IMPORTADO Y COMERCIALIZADO POR:
TECHTRONIC INDUSTRIES MEXICO, .S.A. DE C.V.
Av Presidente Mazarik 29 Piso 7, 11570 Chapultepec Morales
Miguel Hidalgo, Distrito Federal, Mexico

UNITED STATES MILWAUKEE Service

MILWAUKEE prides itself in producing a premium quality product that is NOTHING BUT HEAVY DUTY®. Your satisfaction with our products is very important to us! If you encounter any problems with the operation of this tool, or you would like to locate the factory Service/Sales Support Branch or authorized service station nearest you, please call...

Additionally, we have a nationwide network of authorized Distributors ready to assist you with your tool and accessory needs. Check your "Yellow Pages" phone directory under "Tools-Electric" for the names & addresses of those nearest you or see the 'Where To Buy' section of our website.

1-800-SAWDUST

(1.800.729.3878)

Monday-Friday
7:00 AM - 6:30 PM
Central Time

or visit our website at

www.milwaukeetool.com

For service information, use the 'Service Center Search' icon found in the 'Parts & Service' section.

Contact our Corporate After Sales Service Technical Support about ...

- Technical Questions
- Service/Repair Questions
- Warranty

call: 1-800-SAWDUST
fax: 1.800.638.9582

email: metproductsupport@milwaukeetool.com

Register your tool online at www.milwaukeetool.com and...

- receive important notifications regarding your purchase
- ensure that your tool is protected under the warranty
- become a HEAVY DUTY club member

CANADA - Service MILWAUKEE

MILWAUKEE prides itself in producing a premium quality product that is NOTHING BUT HEAVY DUTY®. Your satisfaction with our products is very important to us!

If you encounter any problems with the operation of this tool, or you would like to locate the factory Service/Sales Support Branch or authorized service station nearest you, please call...

1.800.268.4015

Monday – Friday 7:00 – 4:30 CST
fax: 866.285.9049

Milwaukee Electric Tool (Canada) Ltd

140 Fernstaff Court, Unit 4 18129 111 Avenue NW
Vaughan, ON L4K 3L8 Edmonton, AB T5S 2P2

Additionally, we have a nationwide network of authorized Distributors ready to assist you with your tool and accessory needs. Call 1.800.268.4015 to find the names and addresses of the closest retailers or consult "Where to buy" on our Web site www.milwaukeetool.com

MILWAUKEE est fier de proposer un produit de première qualité NOTHING BUT HEAVY DUTY®. Votre satisfaction est ce qui compte le plus!

En cas de problèmes d'utilisation de l'outil ou pour localiser le centre de service/ventes ou le centre d'entretien le plus proche, appelez le...

1.800.268.4015

Lundi – Vendredi 7:00 – 4:30 CST
fax: 866.285.9049

Milwaukee Electric Tool (Canada) Ltd

140 Fernstaff Court, Unit 4 18129 111 Avenue NW
Vaughan, ON L4K 3L8 Edmonton, AB T5S 2P2

Notre réseau national de distributeurs agréés se tient à votre disposition pour fournir l'aide technique, l'outillage et les accessoires nécessaires. Composez le 1.800.268.4015 pour obtenir les noms et adresses des revendeurs les plus proches ou bien consultez la section «Où acheter» sur notre site web à l'adresse www.milwaukeetool.com

MEXICO - Soporte de Servicio MILWAUKEE

CENTRO DE ATENCION A CLIENTES

Av. Presidente Masarik 29 Piso 7
CP. 11570. Col. Chapultepec Morales
Del. Miguel Hidalgo, Distrito Federal, México
01-800-8321949

Lunes a Viernes (9am a 6pm)

O contáctanos en www.milwaukeetool.com.mx

Para información de Centros de Servicio busca el icono "Servicio al cliente" - "Contáctanos"

Contacta nuestro servicio técnico para...

- Preguntas Técnicas
- Asesoría, servicio y reparación
- Garantía

Adicionalmente, tenemos una red nacional de distribuidores autorizados listos para ayudarle con su herramienta y sus accesorios. Por favor, llame al 01 800 8321949 para obtener los nombres y direcciones de los más cercanos a usted, o consulte la sección "Dónde Comprar" en nuestro sitio web www.milwaukeetool.com.mx

MILWAUKEE ELECTRIC TOOL CORPORATION
13135 West Lisbon Road • Brookfield, Wisconsin, U.S.A. 53005