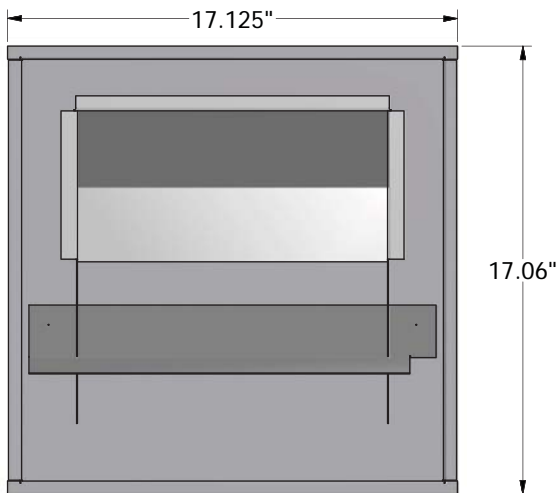
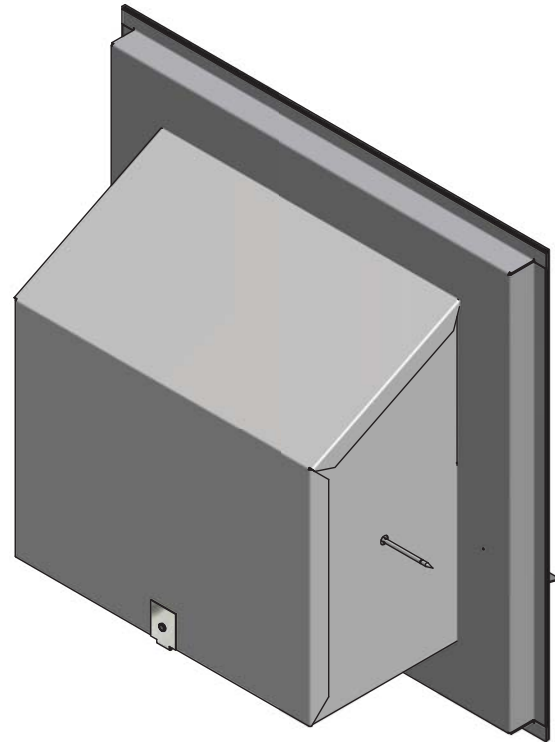


RIGHT SIDE



BACKSIDE



FEATURES

DDN25FDPGCHML MANUAL DAMPER

- PROVIDES UP TO 25% FRESH AIR
- SLIDE DAMPER FOR EASY ADJUSTMENT

DDN25MFPDGHML MOTORIZED DAMPER

- 24VAC DAMPER MOTOR WITH SPRING RETURN
- FACTORY WIRED FOR EASY CONNECTION

FITS M-SERIES PACKAGE UNITS IN ALL FUELS
ALL DAMPERS PAINTED TO MATCH DAIKIN UNITS