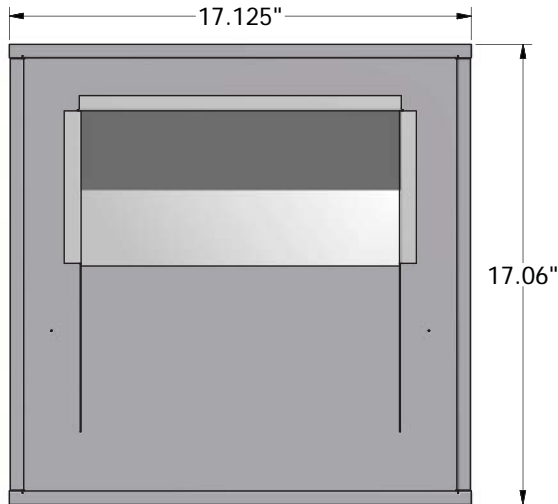
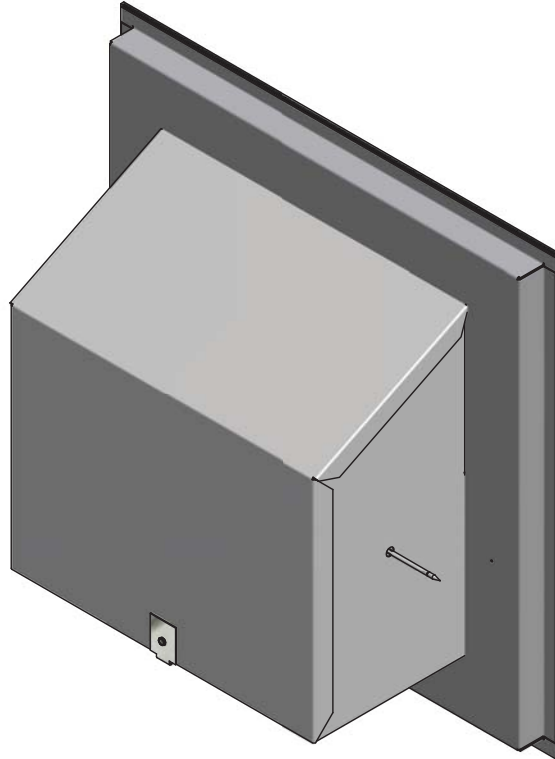


RIGHT SIDE



BACK SIDE



## FEATURES

### DDN25FDPGCHMM MANUAL DAMPER

- PROVIDES UP TO 25% FRESH AIR
- SLIDE DAMPER FOR EASY ADJUSTMENT

### DDN25MFPDGHMM MOTORIZED DAMPER

- 24VAC DAMPER MOTOR WITH SPRING RETURN
- FACTORY WIRED FOR EASY CONNECTION

FITS ALL M-SERIES PACKAGE UNITS IN ALL FUELS  
ALL DAMPERS PAINTED TO MATCH DAIKIN UNITS