

LOW LEAD COMPLIANT BRASS NEEDLE VALVE

The FNW figure XNV brass needle valve is utilized for fine flow control and for controlling severe line pulsations in water, oil, and gas service. The XNV features a red ABS plastic handle.

Features

- Complies with Federal Lead-Free Law (Sec. 1417)
- 600 PSI Maximum Operating Pressure
- -9°F to 212°F Temperature Range
- 1/4" FNPT End Connections
- All HBI59-1 Lead Free Brass Construction
- PTFE Packing

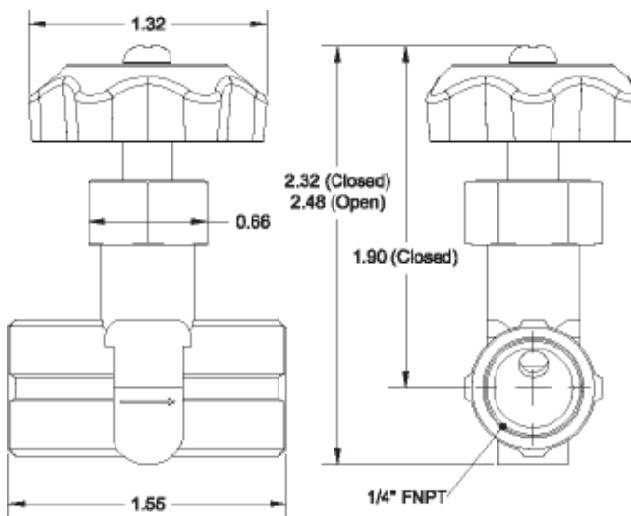
Part Number

Size	Part Number
1/4"	FNWXNVB

Low Lead Compliant: Referring to laws defining "Lead Free" as wetted surface of pipe, fittings and fixtures in potable water systems that have a weighted average lead content $\leq 0.25\%$ per the Safe Drinking Water Act (Sec. 1417) amended 1-4-2011 as well as other state regulations.



Dimensions (inches)



DOC: FNWXNV16 Ver. 7/2016

© 2016 - FNW. All rights reserved.

The FNW logo is a trademark of Ferguson Enterprises, Inc., PL Sourcing, PO Box 2778, Newport News, VA 23609

www.fnw.com

The contents of this publication are presented for information purposes only, and while effort has been made to ensure their accuracy, they are not to be construed as warranties or guarantees, expressed or implied, regarding the products or services described herein or their use or applicability. All sales are governed by our terms and conditions, which are available on request. We reserve the right to modify or improve the designs or specifications of our products at any time without notice. Always verify that you have the most recent product specifications or other documentation prior to the installation of these products.