

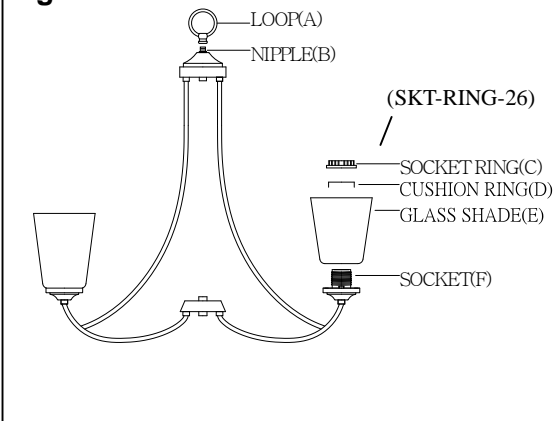
INSTALLATION INSTRUCTIONS FOR FIXTURE #4965

WARNING! SHUT POWER OFF AT FUSE OR CIRCUIT BREAKER.
AVERTISSEMENT! COUPER LE COURANT AU NIVEAU DES FUSIBLES OU DU DISJONCTEUR.

ASSEMBLING THE FIXTURE (FIG. 2)

1. Shut off the power at the fuse box or circuit breaker. If necessary, remove the old fixture from the ceiling including the mounting hardware.
2. Carefully remove the new fixture from carton and check that all parts are included as shown in the illustration.
3. Thread the fixture loop (A) tightly onto the nipple (B).
4. Adjust the fixture arms to their proper position.
5. Place the glass shade (E) over the socket (F), then secure with the cushion ring (D) and socket ring (C).
6. Install the light bulb in accordance with fixture's specifications.
(DO NOT EXCEED THE MAXIMUM WATTAGE RATING!) (NE PAS DEPASSER LA PUISSANCE NOMINALE MAXIMALE!).

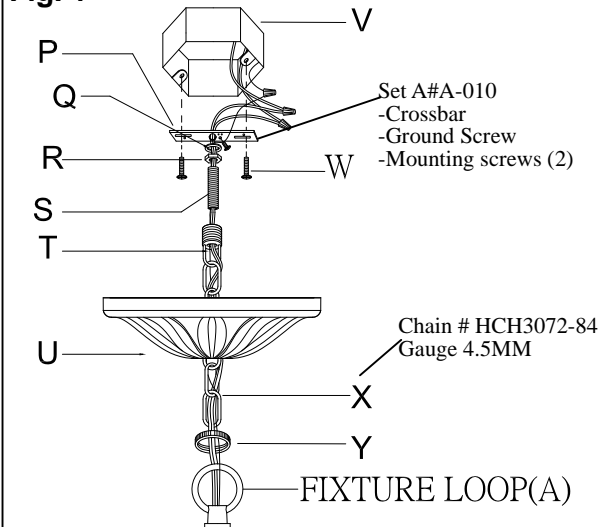
Fig. 2



MOUNTING THE FIXTURE (FIG.1)

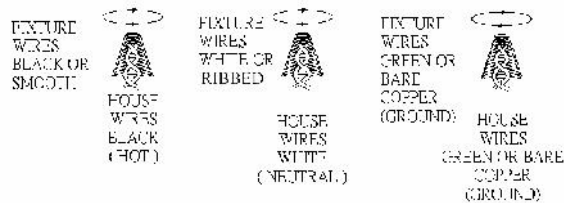
1. Thread the nipple (S) into the collar loop (T) until snug.
2. Thread the other end of nipple (S) into the cross bar (P).
3. Place lock washer (Q) over the end of nipple (S) protruding through the cross bar (P) and thread hex nut (R) onto nipple (S) until tight.
4. Take this crossbar assembly and mount to ceiling outlet box (V) tightly using outlet box screw (W). The side of the cross bar marked "GND" must face out.
5. Use proper chain pliers to open one end link of the chain and connect to the fixture loop (A). Close the link.
6. By measuring, determine the correct number of links needed for proper hanging height. Using the chain pliers, disconnect and discard the remaining chain.
7. Carefully lace the fixture wires through the chain (X).
8. Slip collar ring (Y) over the chain (X), then do the same with canopy (U).
9. Open the other end link of the chain (X) and connect to the collar loop (T). Close the link.
10. Feed the fixture wires through the collar loop (T) and nipple (S) and pull until tight.

Fig. 1



CONNECTING THE WIRES

1. At this point, connect the electrical wires as shown in the wiring diagram, making sure that all wire connectors are secured. If your outlet box has a ground wire (green or bare copper), connect the fixture's ground wire to it. Otherwise, connect the fixture's ground wire directly to the cross bar using the green screw provided.
2. Tuck these wires connectors neatly into the ceiling outlet box and raise the collar ring (Y) and thread onto collar loop (T) protruding through canopy.



Your installation is now complete. Return power to the outlet box and test the fixture.

