

201ALF Brass Angle Globe Valve • Spec Sheet

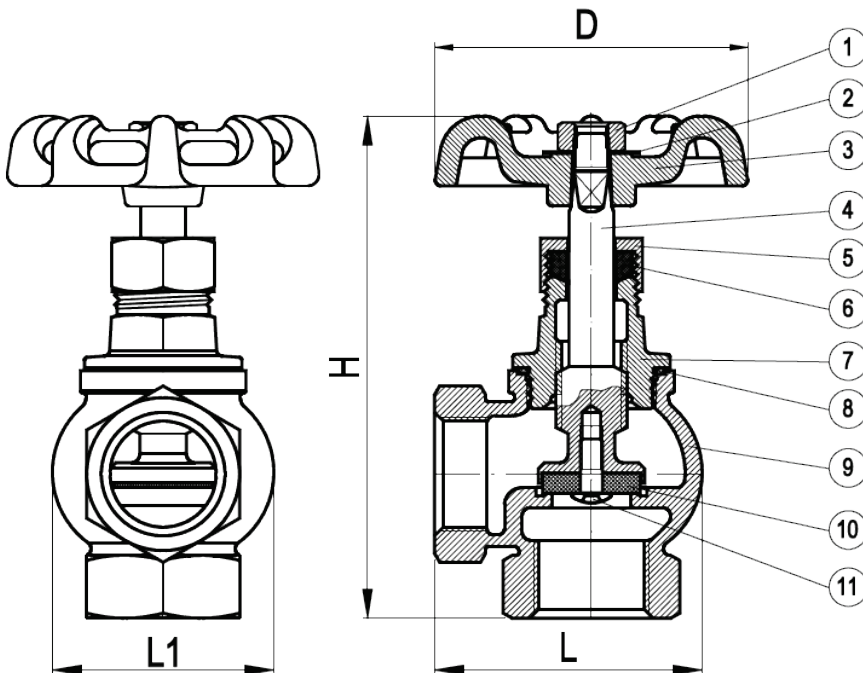


FEATURES & BENEFITS

- Lead Free Brass*
- ISO 9002
- 125 WOG
- Angle Stop Valve - Globe Style
- Soft Seat
- Size 1/2" Threaded or Solder Ends

DIMENSIONS

Part #	Size	H	L	L1	D
201AT3LF	1/2" Threaded	3.40	1.81	1.50	2.11
201AC3LF	1/2" Sweat	3.18	1.73	1.18	2.11



MATERIAL SPECIFICATIONS

No.	Part	Material
1	Wheel Nut	Hot Rolled SAE
2	Name Plate	Aluminum
3	Hand Wheel	Carbon Steel
4	Stem	Brass C46400
5	Packing Nut	Brass B124 C37700
6	Packing	BUNA SN-719F
7	Bonnet	Brass C46400
8	Washer	FIBRE 'H'
9	Body	Brass C46400
10	Seat Packing	BUNA SN-719F
11	Seat Screw	JIS H3260 C2600W

* These product complies with 0.25% weighted average lead content on wetted surfaces in accordance with Safe Water Drinking Act (SDWA) / Federal Public Law No. 111-380.

