

Greenlee

Two-Piece Round Front Toilet



Product Features

- 0.8 gpf
- Gravity-fed siphon jet flush
- Vitreous china
- 16-1/2" Round front bowl
- Rough-in: 10"
- Flush Valve: 3"
- Trapway: 2" Fully glazed
- Water Spot: 7" x 6"
- Front-mounted color match trip lever
- Sanitary bar on bowl for easy cleaning
- Quick connect, two-bolt tank-to-bowl installation



Optional Accessories/Available Parts

- PF9812FLPK** Fill Valve Assembly
PF9812FVPK Flush Valve Assembly
PF5112TLCPPK Chrome Flush Lever

Codes and Certifications



- IAPMO/cUPC
- EPA WaterSense Certified
- ASME A112.19.2 / CSA B45.1
- MaP Rated 1000g
- Meets ADA requirements when installed according to ADA guidelines

Caution

Toilets are recommended FOR RESIDENTIAL APPLICATIONS or those other installations where sufficient volumes of supplemental flows of water are introduced into the building drainline system near the toilet fixture (clothes washers, showers, dishwashers, process water, food service operations, sinks, etc).

Available Colors: White (WH)

Tank

PF9810WH 10" Rough-in Tank

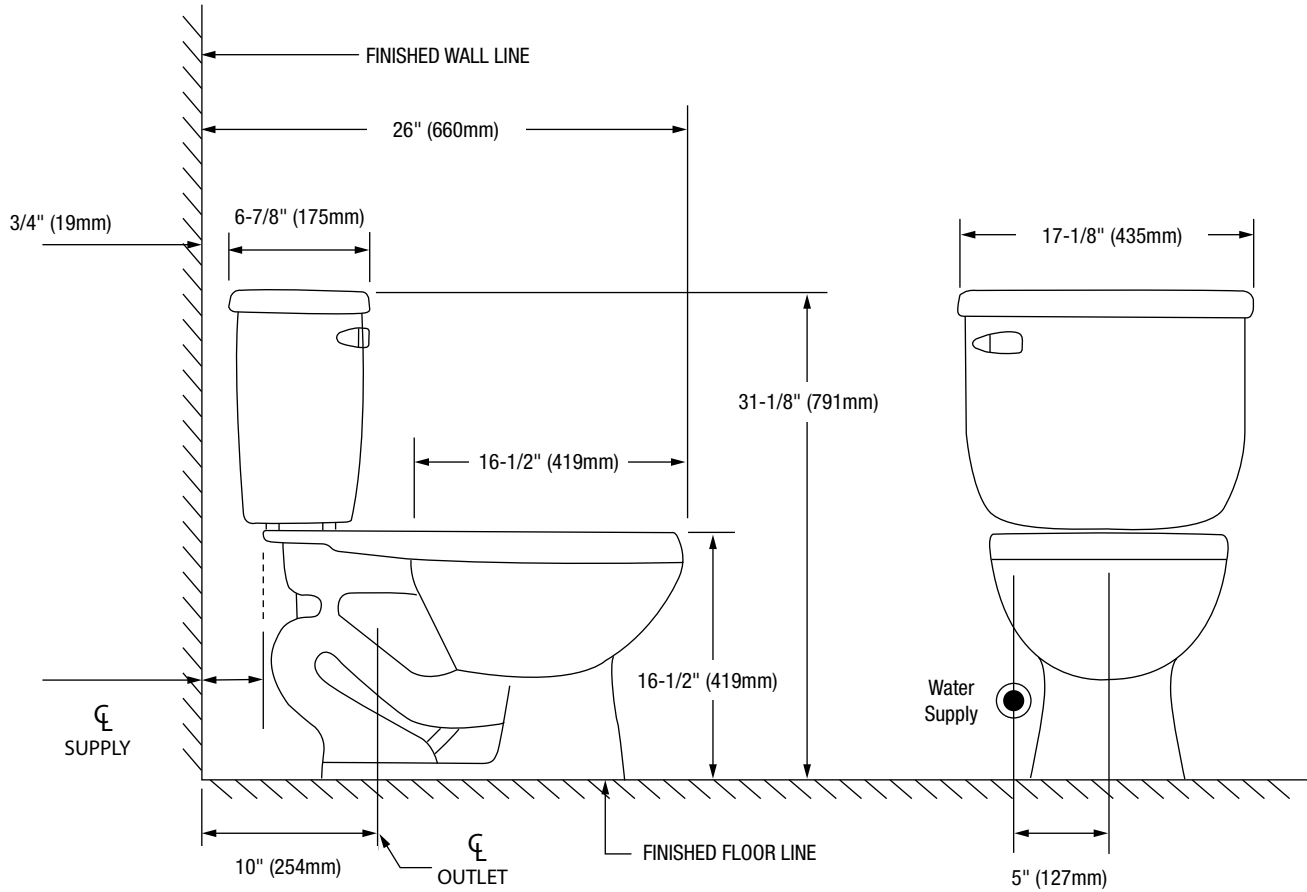
Bowl

PF9800WH Round Front Bowl - 16-1/2"

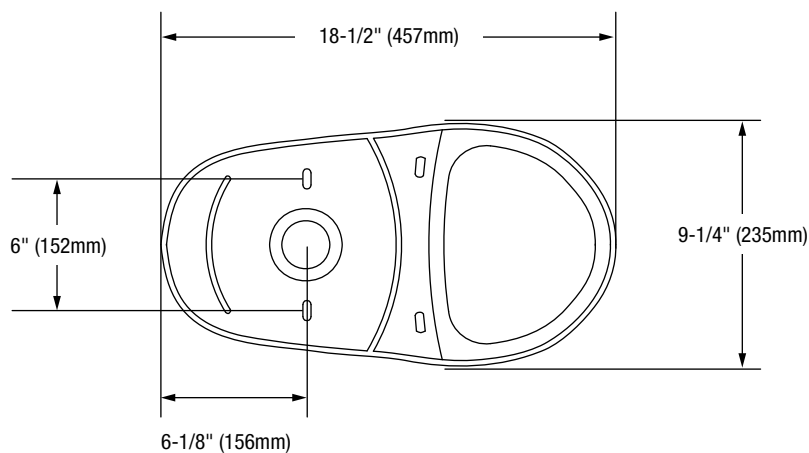
This product comes complete with installation, operating, care and maintenance instructions. All PROFLO fixtures carry a lifetime limited warranty on the vitreous china and a 5-year limited warranty on the fittings. Visit ferguson.com/PROFLO-vitreous-china-warranty for detailed warranty information.

Greenlee

Two-Piece Round Front Toilet



Bowl Footprint Dimensions



Note: All dimensions and specifications are nominal and may vary: Dimensions of 8" and greater have a tolerance of +3%. Dimensions less than 8" have a tolerance of +5%.