

Greenlee

Two-Piece Elongated Toilet



Product Features

- 0.8 GPF
- Gravity-fed Siphon Jet Flush
- Vitreous China
- 17" Elongated ADA Bowl
- Rough-in: 10"
- Flush Valve: 3"
- Trapway: 2" Fully Glazed
- Water Spot: 7" x 6"
- Front Mounted Color Match Trip Lever
- Sanitary bar on bowl for easy cleaning
- Quick connect, two-bolt tank-to-bowl installation

Optional Accessories/Available Parts

- PF9812FLPK Fill Valve Assembly
- PF9812FVPK Flush Valve Assembly
- PF5112TLCPPK Chrome Flush Lever



Codes and Certifications



- IAPMO/cUPC
- EPA WaterSense Certified
- ASME A112.19.2 / CAS B45.1
- MaP Rated 1000g
- Meets ADA guidelines

Caution

Toilets are recommended FOR RESIDENTIAL APPLICATIONS or those other installations where sufficient volumes of supplemental flows of water are introduced into the building drainline system near the toilet fixture (clothes washers, showers, dishwashers, process water, food service operations, sinks, etc).

Available Colors: White (WH)

Tank

PF9810WH 10" Rough-in Tank

Bowl

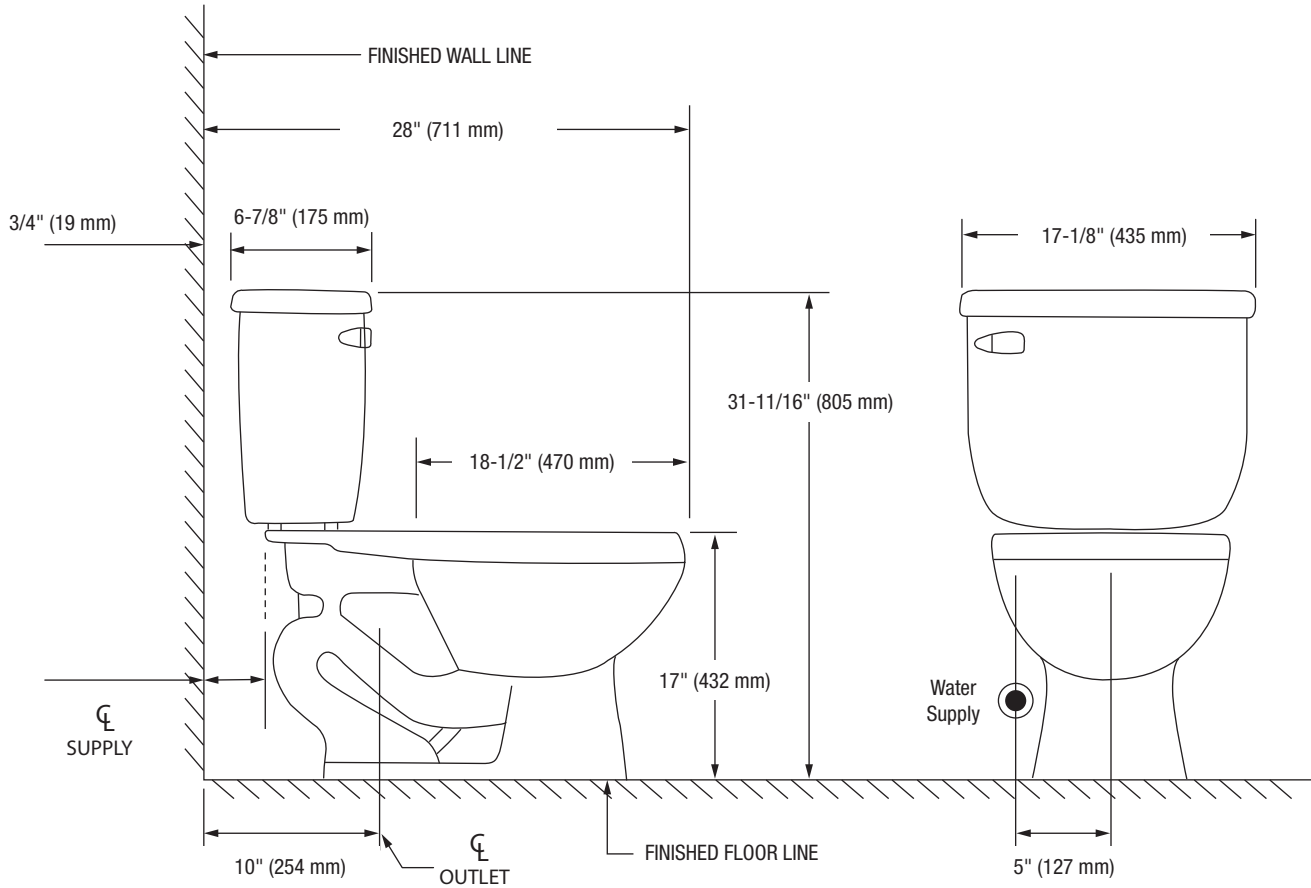
PF9803WH Elongated ADA Bowl - 17"

This product comes complete with installation, operating, care and maintenance instructions. All PROFLO fixtures carry a lifetime limited warranty on the vitreous china and a 5-year limited warranty on the fittings. Visit ferguson.com for detailed warranty information.

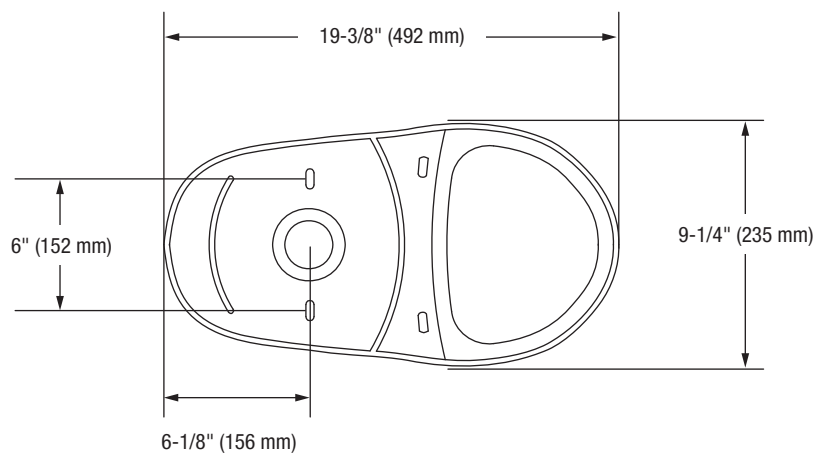


Greenlee

Two-Piece Elongated Toilet



Bowl Footprint Dimensions



Note: All dimensions and specifications are nominal and may vary: Dimensions of 8" and greater have a tolerance of +3%. Dimensions less than 8" have a tolerance of +5%.

Greenlee

Two-Piece Elongated Toilet



Product Features

- 0.8 GPF
- Gravity-fed Siphon Jet Flush
- Vitreous China
- 17" Elongated ADA Bowl
- Rough-in: 12"
- Flush Valve: 3"
- Trapway: 2" Fully Glazed
- Water Spot: 7" x 6"
- Front Mounted Color Match Trip Lever
- Sanitary bar on bowl for easy cleaning
- Quick connect, two-bolt tank-to-bowl installation

Optional Accessories/Available Parts

- PF9812FLPK Fill Valve Assembly
- PF9812FVPK Flush Valve Assembly
- PF5112TLCPPK Chrome Flush Lever



Codes and Certifications



- IAPMO/cUPC
- EPA WaterSense Certified
- ASME A112.19.2 / CAS B45.1
- MaP Rated 1000g
- Meets ADA guidelines

Caution

Toilets are recommended FOR RESIDENTIAL APPLICATIONS or those other installations where sufficient volumes of supplemental flows of water are introduced into the building drainline system near the toilet fixture (clothes washers, showers, dishwashers, process water, food service operations, sinks, etc).

Available Colors: White (WH)

Tank

PF9812WH 12" Rough-in Tank

PF9812RWH 12" Rough-in Right Hand Tank

Bowl

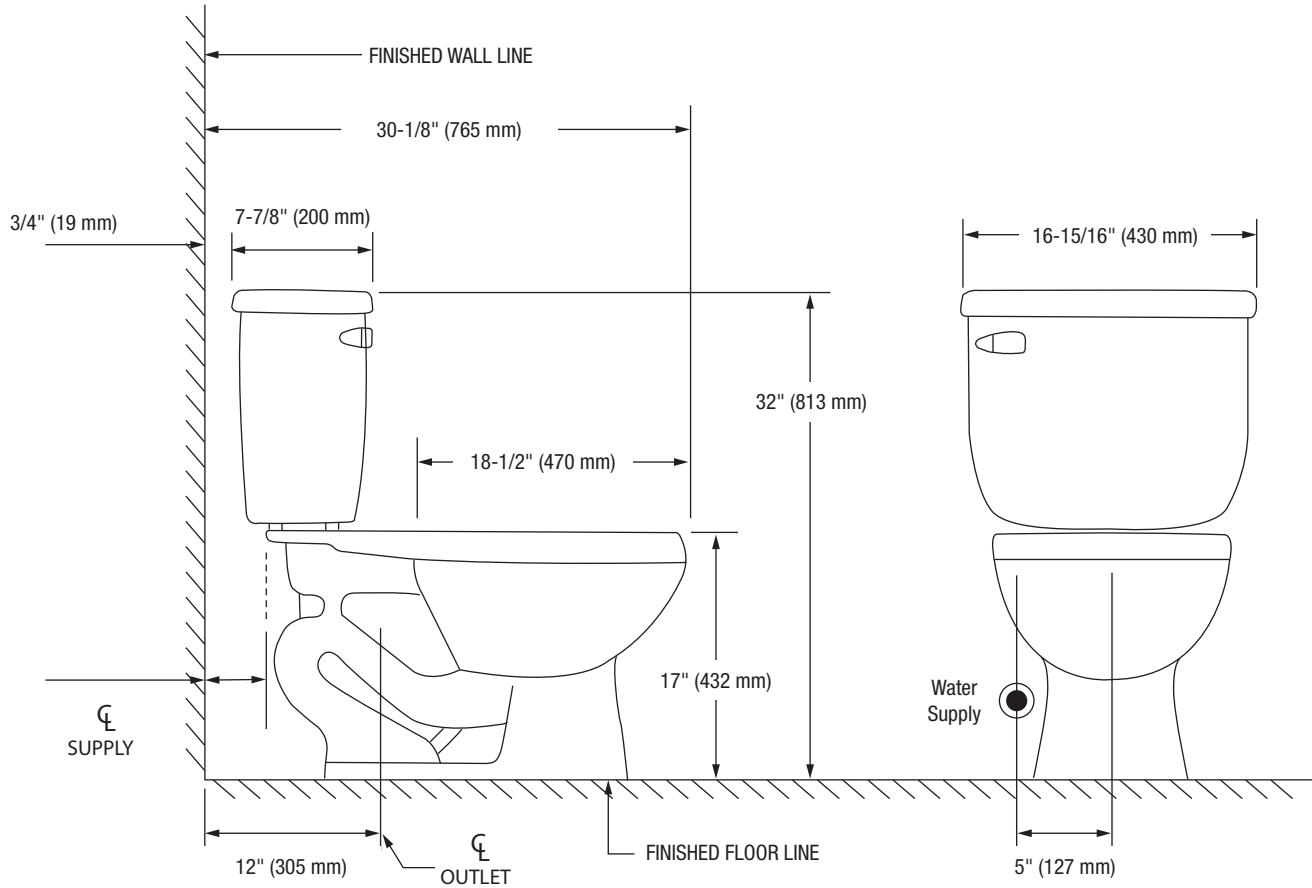
PF9803WH Elongated ADA Bowl - 17"

This product comes complete with installation, operating, care and maintenance instructions. All PROFLO fixtures carry a lifetime limited warranty on the vitreous china and a 5-year limited warranty on the fittings. Visit ferguson.com for detailed warranty information.

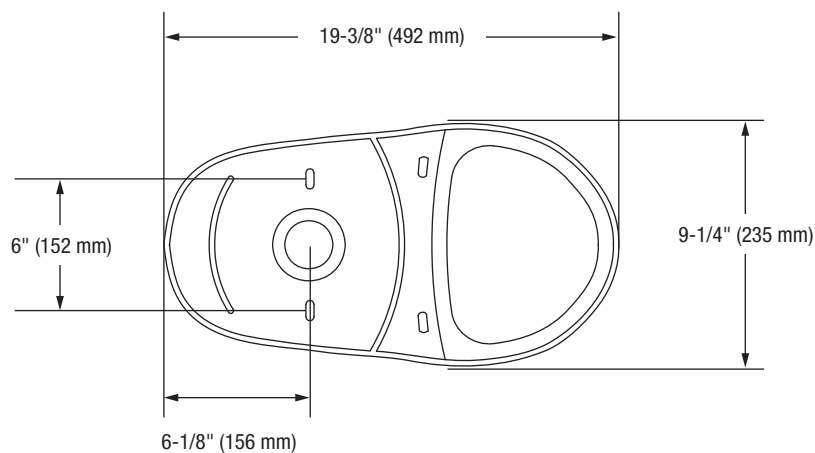


Greenlee

Two-Piece Elongated Toilet



Bowl Footprint Dimensions



Note: All dimensions and specifications are nominal and may vary: Dimensions of 8" and greater have a tolerance of +3%. Dimensions less than 8" have a tolerance of +5%.