



# Round Adjustable Floor Drain w/ Polished Nickel Bronze, Bronze, or Chrome-Plated Top

Dimensional data (inches and [mm]) are subject to manufacturing tolerances and change without notice.

## PRODUCT DESCRIPTION:

(Dura-Coated Cast Iron, ABS, or PVC) drain body with plugged 1/2 [13] trap primer connection, (Cast Iron or ABS) threaded adjustable adaptor, and round (Polished Nickel Bronze, Bronze or Chrome-Plated) secured, light-duty top with easy snap-on assembly. Materials to be selected as required for application.

### Top Size and Material - (Pick ONE)

<input type="checkbox"/> LC-FR05CP	5 [127] Chrome-Plated Top	1-3/8 [36] Min. 3-1/32 [78] Max. Adjustment
<input type="checkbox"/> LC-FR05PB	5 [127] Bronze Top	1-3/8 [36] Min. 3-1/32 [78] Max. Adjustment
<input type="checkbox"/> LC-FR05NI	5 [127] Polished Nickel Bronze Top	1-3/8 [36] Min. 3-1/32 [78] Max. Adjustment
<input type="checkbox"/> LC-FR06NI	6 [152] Polished Nickel Bronze Top	1-1/2 [39] Min. 3-3/16 [81] Max. Adjustment
<input type="checkbox"/> LC-FR07NI	7 [178] Polished Nickel Bronze Top	1-9/16 [40] Min. 3-3/16 [81] Max. Adjustment
<input type="checkbox"/> LC-FR08NI	8 [203] Polished Nickel Bronze Top	1-5/8 [42] Min. 3-9/32 [84] Max. Adjustment
<input type="checkbox"/> LC-FR10NI	10 [254] Polished Nickel Bronze Top	1-13/16 [46] Min. 3-7/16 [88] Max. Adjustment

### Threaded Shank Material - (Pick ONE)

<input type="checkbox"/> LC-CS	Cast Iron Adaptor	4 [102] NPSM Threads
<input type="checkbox"/> LC-PS	ABS Adaptor	4 [102] NPSM Threads

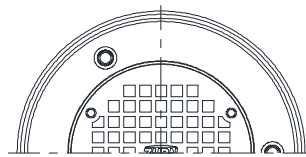
### Drain Body Material / Outlet Size / Outlet Type - (Pick ONE)

<input type="checkbox"/> LC-C2N	D.C.C.I.	4 [102] Body Ht.	2 [51] No-Hub Outlet
<input type="checkbox"/> LC-C3N	D.C.C.I.	4 [102] Body Ht.	3 [76] No-Hub Outlet
<input type="checkbox"/> LC-C4N	D.C.C.I.	4 [102] Body Ht.	4 [102] No-Hub Outlet
<input type="checkbox"/> LC-C2P	D.C.C.I.	4-5/64 [104] Body Ht.	2 [51] Push-On Outlet
<input type="checkbox"/> LC-C3P	D.C.C.I.	4-3/64 [102] Body Ht.	3 [76] Push-On Outlet
<input type="checkbox"/> LC-C4P	D.C.C.I.	4-1/64 [102] Body Ht.	4 [102] Push-On Outlet
<input type="checkbox"/> LC-A2S	ABS	3-5/64 [78] Body Ht.	2 [51] Solvent Weld Outlet
<input type="checkbox"/> LC-A3S	ABS	3-51/64 [96] Body Ht.	3 [76] Solvent Weld Outlet
<input type="checkbox"/> LC-A4S	ABS	4-1/64 [102] Body Ht.	4 [102] Solvent Weld Outlet
<input type="checkbox"/> LC-P2S	PVC	3-5/64 [78] Body Ht.	2 [51] Solvent Weld Outlet
<input type="checkbox"/> LC-P3S	PVC	3-51/64 [96] Body Ht.	3 [76] Solvent Weld Outlet
<input type="checkbox"/> LC-P4S	PVC	4-1/64 [102] Body Ht.	4 [102] Solvent Weld Outlet

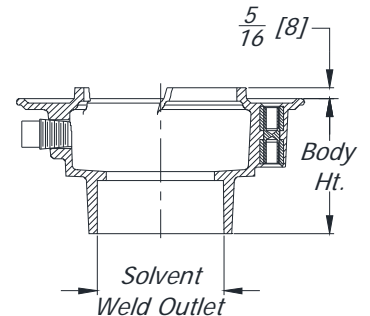
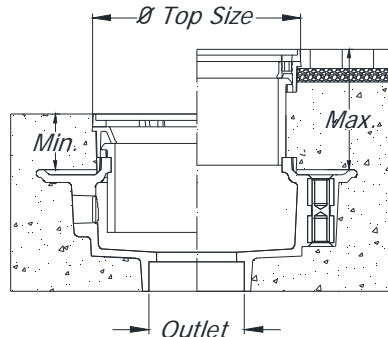
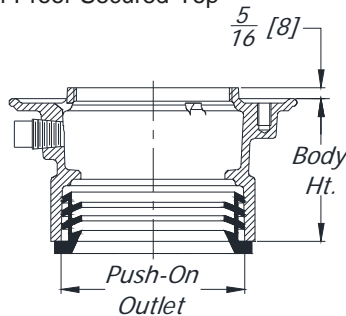
(Check/specify appropriate drain options)

### Suffixes

- LC-CC Cast Iron Membrane Clamp Collar
- LC-RC Universal Pre-Pour ABS Rough-In Cover for 5 [127] and 6 [152] Round and Square Tops.
- LC-RC5 Pre-Pour ABS Rough-In Cover for 5 [127] Round Top.
- LC-RC6 Pre-Pour ABS Rough-In Cover for 6 [152] Round Top.
- LC-VP Vandal-Proof Secured Top



Top Size in [mm]	Top Open Area Sq. In. [cm <sup>2</sup> ]
5 [127]	7 [45]
6 [152]	9 [58]
7 [178]	13 [84]
8 [203]	19 [123]
10 [254]	23 [148]



\* Regularly furnished unless otherwise specified.



# Round Adjustable Floor Drain w/ Stainless Steel Top

Dimensional data (inches and [mm]) are subject to manufacturing tolerances and change without notice.

## PRODUCT DESCRIPTION:

(Dura-Coated Cast Iron, ABS, or PVC) drain body with plugged 1/2 [13] trap primer connection, (Cast Iron or ABS) threaded adjustable adaptor, and round Stainless Steel secured, light-duty top with easy snap-on assembly. Materials to be selected as required for application.

### Top Size and Material - (Pick ONE)

___ LC-FR05SS	5 [127] Stainless Steel Top	.....	1-3/8 [36] Min. 3-1/32 [78] Max. Adjustment
___ LC-FR06SS	6 [152] Stainless Steel Top	.....	1-1/2 [39] Min. 3-3/16 [81] Max. Adjustment
___ LC-FR07SS	7 [178] Stainless Steel Top	.....	1-9/16 [40] Min. 3-3/16 [81] Max. Adjustment
___ LC-FR08SS	8 [203] Stainless Steel Top	.....	1-5/8 [42] Min. 3-9/32 [84] Max. Adjustment
___ LC-FR10SS	10 [254] Stainless Steel Top	.....	1-13/16 [46] Min. 3-7/16 [88] Max. Adjustment

### Threaded Shank Material - (Pick ONE)

___ LC-CS	Cast Iron Adaptor	.....	4 [102] NPSM Threads
___ LC-PS	ABS Adaptor	.....	4 [102] NPSM Threads

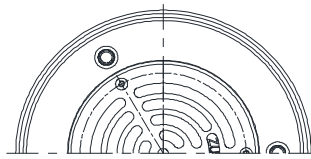
### Drain Body Material / Outlet Size / Outlet Type - (Pick ONE)

___ LC-C2N	D.C.C.I.	.....	4 [102] Body Ht.	.....	2 [51] No-Hub Outlet
___ LC-C3N	D.C.C.I.	.....	4 [102] Body Ht.	.....	3 [76] No-Hub Outlet
___ LC-C4N	D.C.C.I.	.....	4 [102] Body Ht.	.....	4 [102] No-Hub Outlet
___ LC-C2P	D.C.C.I.	.....	4-5/64 [104] Body Ht.	.....	2 [51] Push-On Outlet
___ LC-C3P	D.C.C.I.	.....	4-3/64 [102] Body Ht.	.....	3 [76] Push-On Outlet
___ LC-C4P	D.C.C.I.	.....	4-1/64 [102] Body Ht.	.....	4 [102] Push-On Outlet
___ LC-A2S	ABS	.....	3-5/64 [78] Body Ht.	.....	2 [51] Solvent Weld Outlet
___ LC-A3S	ABS	.....	3-51/64 [96] Body Ht.	.....	3 [76] Solvent Weld Outlet
___ LC-A4S	ABS	.....	4-1/64 [102] Body Ht.	.....	4 [102] Solvent Weld Outlet
___ LC-P2S	PVC	.....	3-5/64 [78] Body Ht.	.....	2 [51] Solvent Weld Outlet
___ LC-P3S	PVC	.....	3-51/64 [96] Body Ht.	.....	3 [76] Solvent Weld Outlet
___ LC-P4S	PVC	.....	4-1/64 [102] Body Ht.	.....	4 [102] Solvent Weld Outlet

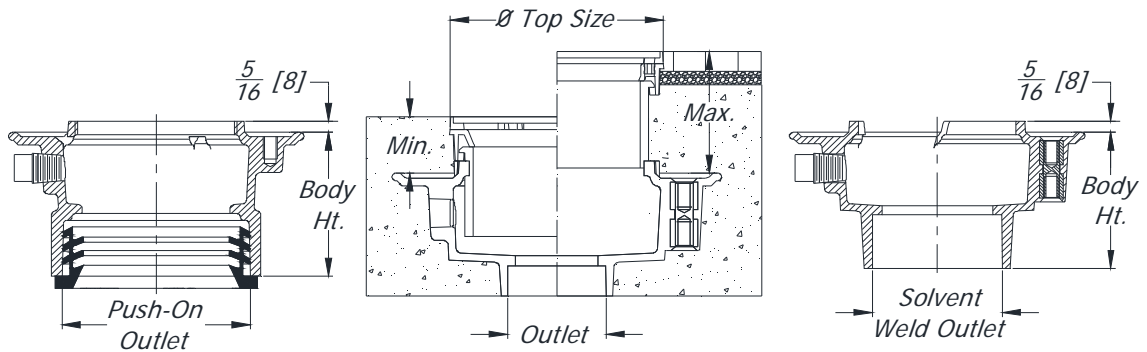
(Check/specify appropriate drain options)

### Suffixes

- \_\_\_ LC-CC Cast Iron Membrane Clamp Collar
- \_\_\_ LC-RC Universal Pre-Pour ABS Rough-In Cover for 5 [127] and 6 [152] Round and Square Tops.
- \_\_\_ LC-RC5 Pre-Pour ABS Rough-In Cover for 5 [127] Round Top.
- \_\_\_ LC-RC6 Pre-Pour ABS Rough-In Cover for 6 [152] Round Top.
- \_\_\_ LC-VP Vandal-Proof Secured Top



Top Size in/[mm]	Top Open Area Sq. In. [cm <sup>2</sup> ]
5 [127]	7 [45]
6 [152]	10 [65]
7 [178]	15 [97]
8 [203]	20 [129]
10 [254]	26 [168]



\* Regularly furnished unless otherwise specified.



# Round Adjustable Floor Drain w/ Ductile Iron Top

Dimensional data (inches and [mm]) are subject to manufacturing tolerances and change without notice.

## PRODUCT DESCRIPTION:

(Dura-Coated Cast Iron, ABS, or PVC) drain body with plugged 1/2 [13] trap primer connection, (Cast Iron or ABS) threaded adjustable adaptor, and round Ductile Iron secured, heavy-duty top with easy snap-on assembly. Materials to be selected as required for application.

### Top Size and Material - (Pick ONE)

- LC-FR05DI 5 [127] Ductile Iron Top ..... 1-19/32 [41] Min. 3-1/8 [80] Max. Adjustment
- LC-FR08DI 8 [203] Ductile Iron Top ..... 1-23/32 [44] Min. 3-3/8 [86] Max. Adjustment

### Threaded Shank Material - (Pick ONE)

- LC-CS Cast Iron Adaptor ..... 4 [102] NPSM Threads
- LC-PS ABS Adaptor ..... 4 [102] NPSM Threads

### Drain Body Material / Outlet Size / Outlet Type - (Pick ONE)

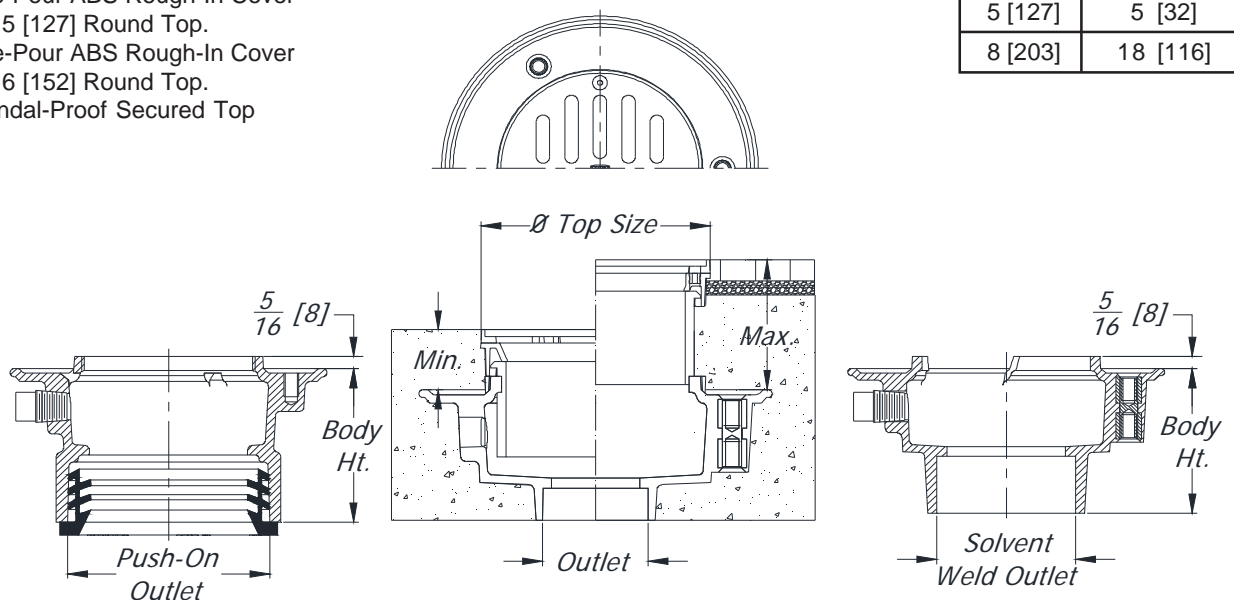
- LC-C2N D.C.C.I. .... 4 [102] Body Ht. .... 2 [51] No-Hub Outlet
- LC-C3N D.C.C.I. .... 4 [102] Body Ht. .... 3 [76] No-Hub Outlet
- LC-C4N D.C.C.I. .... 4 [102] Body Ht. .... 4 [102] No-Hub Outlet
- LC-C2P D.C.C.I. .... 4-5/64 [104] Body Ht. .... 2 [51] Push-On Outlet
- LC-C3P D.C.C.I. .... 4-3/64 [102] Body Ht. .... 3 [76] Push-On Outlet
- LC-C4P D.C.C.I. .... 4-1/64 [102] Body Ht. .... 4 [102] Push-On Outlet
- LC-A2S ABS ..... 3-5/64 [78] Body Ht. .... 2 [51] Solvent Weld Outlet
- LC-A3S ABS ..... 3-51/64 [96] Body Ht. .... 3 [76] Solvent Weld Outlet
- LC-A4S ABS ..... 4-1/64 [102] Body Ht. .... 4 [102] Solvent Weld Outlet
- LC-P2S PVC ..... 3-5/64 [78] Body Ht. .... 2 [51] Solvent Weld Outlet
- LC-P3S PVC ..... 3-51/64 [96] Body Ht. .... 3 [76] Solvent Weld Outlet
- LC-P4S PVC ..... 4-1/64 [102] Body Ht. .... 4 [102] Solvent Weld Outlet

(Check/specify appropriate drain options)

### Suffixes

- LC-CC Cast Iron Membrane Clamp Collar
- LC-RC Universal Pre-Pour ABS Rough-In Cover for 5 [127] and 6 [152] Round and Square Tops.
- LC-RC5 Pre-Pour ABS Rough-In Cover for 5 [127] Round Top.
- LC-RC6 Pre-Pour ABS Rough-In Cover for 6 [152] Round Top.
- LC-VP Vandal-Proof Secured Top

Top Size in[mm]	Top Open Area Sq. In. [cm <sup>2</sup> ]
5 [127]	5 [32]
8 [203]	18 [116]



\* Regularly furnished unless otherwise specified.



# Square Adjustable Floor Drain w/ Polished Nickel Bronze, Bronze, or Chrome-Plated Top

Dimensional data (inches and [mm]) are subject to manufacturing tolerances and change without notice.

## PRODUCT DESCRIPTION:

(Dura-Coated Cast Iron, ABS, or PVC) drain body with plugged 1/2 [13] trap primer connection, (Cast Iron or ABS) threaded adjustable adaptor, and square (Polished Nickel Bronze, Bronze or Chrome-Plated) secured, light-duty top with easy snap-on assembly. Materials to be selected as required for application.

### Top Size and Material - (Pick ONE)

<input type="checkbox"/> LC-FS05CP	5 x 5 [127 x 127] Chrome-Plated Top	1-19/32 [41] Min. 3-1/4 [82] Max. Adjustment
<input type="checkbox"/> LC-FS05PB	5 x 5 [127 x 127] Bronze Top	1-19/32 [41] Min. 3-1/4 [82] Max. Adjustment
<input type="checkbox"/> LC-FS05NI	5 x 5 [127 x 127] Polished Nickel Bronze Top	1-19/32 [41] Min. 3-1/4 [82] Max. Adjustment
<input type="checkbox"/> LC-FS06NI	6 x 6 [152 x 152] Polished Nickel Bronze Top	1-19/32 [41] Min. 3-1/4 [82] Max. Adjustment
<input type="checkbox"/> LC-FS08NI	8 x 8 [203 x 203] Polished Nickel Bronze Top	1-11/16 [43] Min. 3-5/16 [84] Max. Adjustment

### Threaded Shank Material - (Pick ONE)

<input type="checkbox"/> LC-CS	Cast Iron Adaptor	4 [102] NPSM Threads
<input type="checkbox"/> LC-PS	ABS Adaptor	4 [102] NPSM Threads

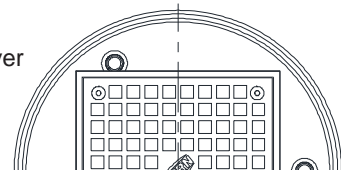
### Drain Body Material / Outlet Size / Outlet Type - (Pick ONE)

<input type="checkbox"/> LC-C2N	D.C.C.I.	4 [102] Body Ht.	2 [51] No-Hub Outlet
<input type="checkbox"/> LC-C3N	D.C.C.I.	4 [102] Body Ht.	3 [76] No-Hub Outlet
<input type="checkbox"/> LC-C4N	D.C.C.I.	4 [102] Body Ht.	4 [102] No-Hub Outlet
<input type="checkbox"/> LC-C2P	D.C.C.I.	4-5/64 [104] Body Ht.	2 [51] Push-On Outlet
<input type="checkbox"/> LC-C3P	D.C.C.I.	4-3/64 [102] Body Ht.	3 [76] Push-On Outlet
<input type="checkbox"/> LC-C4P	D.C.C.I.	4-1/64 [102] Body Ht.	4 [102] Push-On Outlet
<input type="checkbox"/> LC-A2S	ABS	3-5/64 [78] Body Ht.	2 [51] Solvent Weld Outlet
<input type="checkbox"/> LC-A3S	ABS	3-51/64 [96] Body Ht.	3 [76] Solvent Weld Outlet
<input type="checkbox"/> LC-A4S	ABS	4-1/64 [102] Body Ht.	4 [102] Solvent Weld Outlet
<input type="checkbox"/> LC-P2S	PVC	3-5/64 [78] Body Ht.	2 [51] Solvent Weld Outlet
<input type="checkbox"/> LC-P3S	PVC	3-51/64 [96] Body Ht.	3 [76] Solvent Weld Outlet
<input type="checkbox"/> LC-P4S	PVC	4-1/64 [102] Body Ht.	4 [102] Solvent Weld Outlet

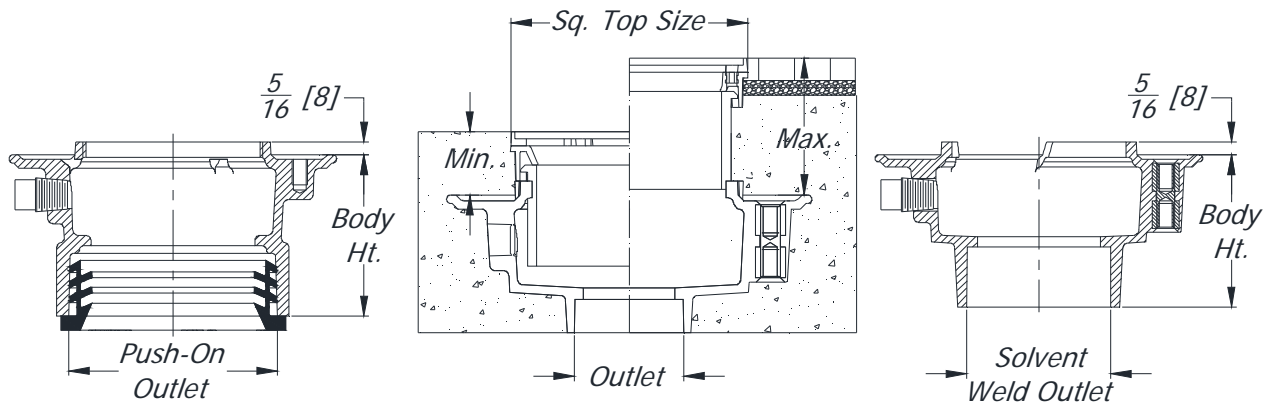
(Check/specify appropriate drain options)

### Suffixes

- LC-CC Cast Iron Membrane Clamp Collar
- LC-RC Universal Pre-Pour ABS Rough-In Cover for 5 [127] and 6 [152] Round and Square Tops.
- LC-VP Vandal-Proof Secured Top



Top Size in[mm]	Top Open Area Sq. In. [cm <sup>2</sup> ]
5 x 5 [127 x 127]	9 [58]
6 x 6 [152 x 152]	13 [84]
8 x 8 [203 x 203]	27 [174]



\* Regularly furnished unless otherwise specified.



# Square Adjustable Floor Drain w/ Stainless Steel Top

Dimensional data (inches and [mm]) are subject to manufacturing tolerances and change without notice.

## PRODUCT DESCRIPTION:

(Dura-Coated Cast Iron, ABS, or PVC) drain body with plugged 1/2 [13] trap primer connection, (Cast Iron or ABS) threaded adjustable adaptor, and square Stainless Steel secured, light-duty top with easy snap-on assembly. Materials to be selected as required for application.

### Top Size and Material - (Pick ONE)

- LC-FS05SS 5 x 5 [127 x 127] Stainless Steel Top ..... 1-19/32 [41] Min. 3-1/4 [82] Max. Adjustment
- LC-FS06SS 6 x 6 [152 x 152] Stainless Steel Top ..... 1-19/32 [41] Min. 3-1/4 [82] Max. Adjustment
- LC-FS08SS 8 x 8 [203 x 203] Stainless Steel Top ..... 1-11/16 [43] Min. 3-5/16 [85] Max. Adjustment

### Threaded Shank Material - (Pick ONE)

- LC-CS Cast Iron Adaptor ..... 4 [102] NPSM Threads
- LC-PS ABS Adaptor ..... 4 [102] NPSM Threads

### Drain Body Material / Outlet Size / Outlet Type - (Pick ONE)

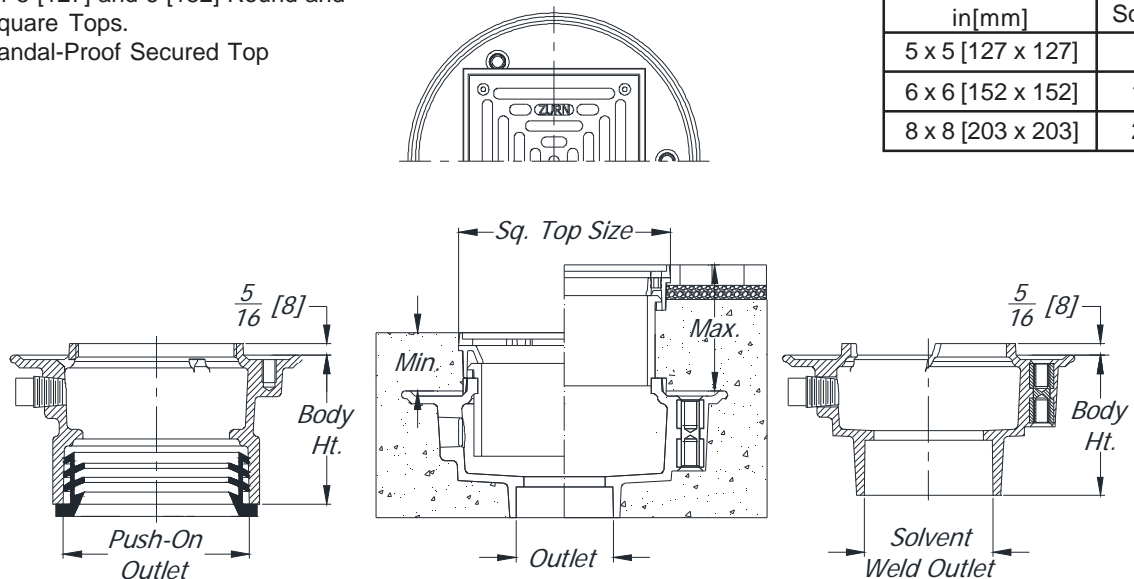
- LC-C2N D.C.C.I. .... 4 [102] Body Ht. .... 2 [51] No-Hub Outlet
- LC-C3N D.C.C.I. .... 4 [102] Body Ht. .... 3 [76] No-Hub Outlet
- LC-C4N D.C.C.I. .... 4 [102] Body Ht. .... 4 [102] No-Hub Outlet
- LC-C2P D.C.C.I. .... 4-5/64 [104] Body Ht. .... 2 [51] Push-On Outlet
- LC-C3P D.C.C.I. .... 4-3/64 [102] Body Ht. .... 3 [76] Push-On Outlet
- LC-C4P D.C.C.I. .... 4-1/64 [102] Body Ht. .... 4 [102] Push-On Outlet
- LC-A2S ABS ..... 3-5/64 [78] Body Ht. .... 2 [51] Solvent Weld Outlet
- LC-A3S ABS ..... 3-51/64 [96] Body Ht. .... 3 [76] Solvent Weld Outlet
- LC-A4S ABS ..... 4-1/64 [102] Body Ht. .... 4 [102] Solvent Weld Outlet
- LC-P2S PVC ..... 3-5/64 [78] Body Ht. .... 2 [51] Solvent Weld Outlet
- LC-P3S PVC ..... 3-51/64 [96] Body Ht. .... 3 [76] Solvent Weld Outlet
- LC-P4S PVC ..... 4-1/64 [102] Body Ht. .... 4 [102] Solvent Weld Outlet

(Check/specify appropriate drain options)

### Suffixes

- LC-CC Cast Iron Membrane Clamp Collar
- LC-RC Universal Pre-Pour ABS Rough-In Cover for 5 [127] and 6 [152] Round and Square Tops.
- LC-VP Vandal-Proof Secured Top

Top Size in[mm]	Top Open Area Sq. In. [cm <sup>2</sup> ]
5 x 5 [127 x 127]	8 [52]
6 x 6 [152 x 152]	13 [84]
8 x 8 [203 x 203]	25 [161]



\* Regularly furnished unless otherwise specified.



# Roof Drain w/ Dome and Gravel Guard

Dimensional data (inches and [mm]) are subject to manufacturing tolerances and change without notice.

## PRODUCT DESCRIPTION:

(Dura-Coated Cast Iron, ABS, or PVC) drain body, Cast Iron gravel guard, and (Cast Iron or Polypropylene) dome. Material to be selected as required for application.

### Dome and Gravel Guard - (Pick ONE)

- LC-RD08CI 8 [203] Cast Iron Dome and Gravel Guard
- LC-RD08PL 8 [203] Poly-Dome and Gravel Guard

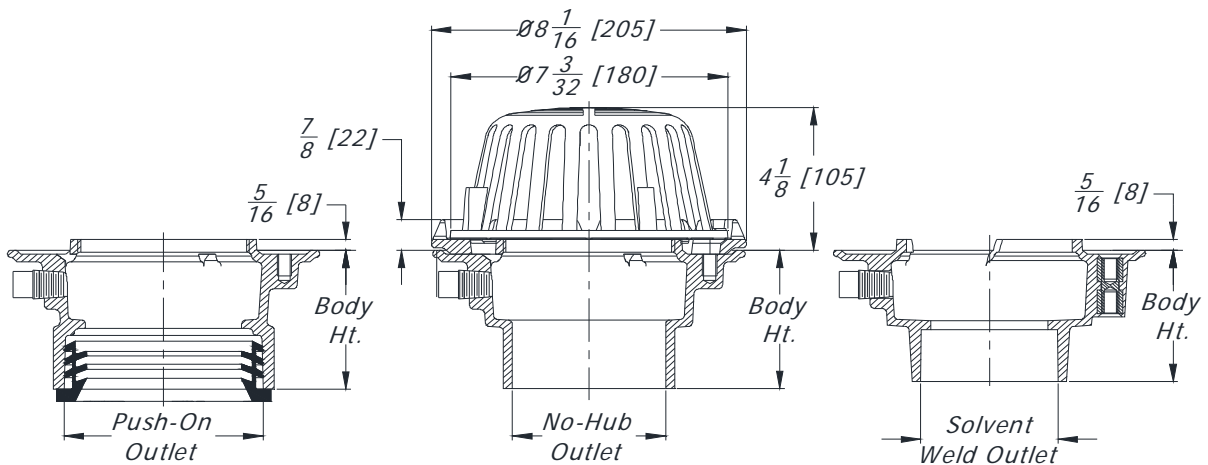
### Drain Body Material / Outlet Size / Outlet Type - (Pick ONE)

<input type="checkbox"/> LC-C2N D.C.C.I.	4 [102] Body Ht.	2 [51] No-Hub Outlet
<input type="checkbox"/> LC-C3N D.C.C.I.	4 [102] Body Ht.	3 [76] No-Hub Outlet
<input type="checkbox"/> LC-C4N D.C.C.I.	4 [102] Body Ht.	4 [102] No-Hub Outlet
<input type="checkbox"/> LC-C2P D.C.C.I.	4-5/64 [104] Body Ht.	2 [51] Push-On Outlet
<input type="checkbox"/> LC-C3P D.C.C.I.	4-3/64 [102] Body Ht.	3 [76] Push-On Outlet
<input type="checkbox"/> LC-C4P D.C.C.I.	4-1/64 [102] Body Ht.	4 [102] Push-On Outlet
<input type="checkbox"/> LC-A2S ABS	3-5/64 [78] Body Ht.	2 [51] Solvent Weld Outlet
<input type="checkbox"/> LC-A3S ABS	3-51/64 [96] Body Ht.	3 [76] Solvent Weld Outlet
<input type="checkbox"/> LC-A4S ABS	4-1/64 [102] Body Ht.	4 [102] Solvent Weld Outlet
<input type="checkbox"/> LC-P2S PVC	3-5/64 [78] Body Ht.	2 [51] Solvent Weld Outlet
<input type="checkbox"/> LC-P3S PVC	3-51/64 [96] Body Ht.	3 [76] Solvent Weld Outlet
<input type="checkbox"/> LC-P4S PVC	4-1/64 [102] Body Ht.	4 [102] Solvent Weld Outlet

(Check/specify appropriate drain options)

### Suffixes

- LC-C Roof Drain Underdeck Clamp
- LC-RS Roof Sump Receiver



\* Regularly furnished unless otherwise specified.



# Round Adjustable Floor Cleanout w/ Nickel Bronze or Stainless Steel Top

Dimensional data (inches and [mm]) are subject to manufacturing tolerances and change without notice.

## PRODUCT DESCRIPTION:

(Dura-Coated Cast Iron, ABS, or PVC) cleanout body, gasketed removable ABS cleanout plug, (Cast Iron or ABS) threaded adjustable adaptor, and round (Polished Nickel Bronze or Stainless Steel) secured, light-duty scoriated top with easy snap-on assembly. Materials to be selected as required for application.

### Top Size and Material - (Pick ONE)

<input type="checkbox"/> LC-CR05NI	5 [127]	Polished Nickel Bronze Top	.....	1-3/8 [36]	Min. 3 [78]	Max. Adjustment
<input type="checkbox"/> LC-CR06NI	6 [152]	Polished Nickel Bronze Top	.....	1-1/2 [39]	Min. 3-1/8 [81]	Max. Adjustment
<input type="checkbox"/> LC-CR05SS	5 [127]	Stainless Steel Top	.....	1-3/8 [36]	Min. 3 [78]	Max. Adjustment
<input type="checkbox"/> LC-CR06SS	6 [152]	Stainless Steel Top	.....	1-1/2 [39]	Min. 3-1/8 [81]	Max. Adjustment

### Threaded Shank Material - (Pick ONE)

<input type="checkbox"/> LC-CS	Cast Iron Adaptor	.....	4 [102]	NPSM Threads
<input type="checkbox"/> LC-PS	ABS Adaptor	.....	4 [102]	NPSM Threads

### Drain Body Material / Outlet Size / Outlet Type - (Pick ONE)

<input type="checkbox"/> LC-C2N	D.C.C.I.	.....	4 [102]	Body Ht.	.....	2 [51]	No-Hub Outlet
<input type="checkbox"/> LC-C3N	D.C.C.I.	.....	4 [102]	Body Ht.	.....	3 [76]	No-Hub Outlet
<input type="checkbox"/> LC-C4N	D.C.C.I.	.....	4 [102]	Body Ht.	.....	4 [102]	No-Hub Outlet
<input type="checkbox"/> LC-C2P	D.C.C.I.	.....	4-5/64	[104] Body Ht.	.....	2 [51]	Push-On Outlet
<input type="checkbox"/> LC-C3P	D.C.C.I.	.....	4-3/64	[102] Body Ht.	.....	3 [76]	Push-On Outlet
<input type="checkbox"/> LC-C4P	D.C.C.I.	.....	4-1/64	[102] Body Ht.	.....	4 [102]	Push-On Outlet
<input type="checkbox"/> LC-A2S	ABS	.....	3-5/64	[78] Body Ht.	.....	2 [51]	Solvent Weld Outlet
<input type="checkbox"/> LC-A3S	ABS	.....	3-51/64	[96] Body Ht.	.....	3 [76]	Solvent Weld Outlet
<input type="checkbox"/> LC-A4S	ABS	.....	4-1/64	[102] Body Ht.	.....	4 [102]	Solvent Weld Outlet
<input type="checkbox"/> LC-P2S	PVC	.....	3-5/64	[78] Body Ht.	.....	2 [51]	Solvent Weld Outlet
<input type="checkbox"/> LC-P3S	PVC	.....	3-51/64	[96] Body Ht.	.....	3 [76]	Solvent Weld Outlet
<input type="checkbox"/> LC-P4S	PVC	.....	4-1/64	[102] Body Ht.	.....	4 [102]	Solvent Weld Outlet

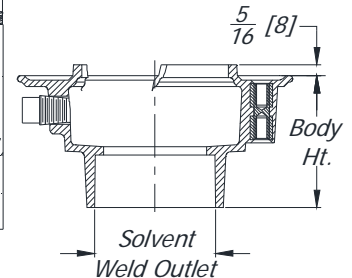
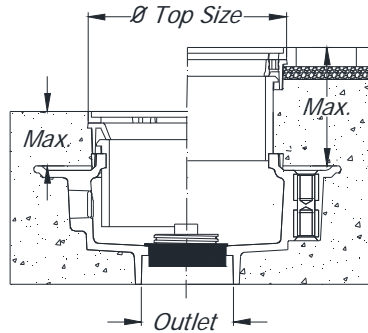
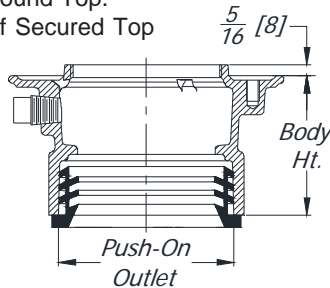
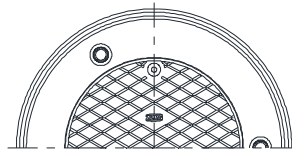
### Plug Size - (Pick ONE) - Must match outlet size

<input type="checkbox"/> LC-2P	2 [51]	Cleanout Plug
<input type="checkbox"/> LC-3P	3 [76]	Cleanout Plug
<input type="checkbox"/> LC-4P	4 [102]	Cleanout Plug

(Check/specify appropriate drain options)

### Suffixes

- LC-CC Cast Iron Membrane Clamp Collar
- LC-RC Universal Pre-Pour ABS Rough-In Cover for 5 [127] and 6 [152] Round and Square Tops.
- LC-RC5 Pre-Pour ABS Rough-In Cover for 5 [127] Round Top.
- LC-RC6 Pre-Pour ABS Rough-In Cover for 6 [152] Round Top.
- LC-VP Vandal-Proof Secured Top



\* Regularly furnished unless otherwise specified.



# Round Adjustable Floor Cleanout w/ Ductile Iron Top

Dimensional data (inches and [mm]) are subject to manufacturing tolerances and change without notice.

## PRODUCT DESCRIPTION:

(Dura-Coated Cast Iron, ABS, or PVC) cleanout body, gasketed removable ABS cleanout plug, (Cast Iron or ABS) threaded adjustable adaptor, and round Ductile Iron secured, heavy-duty scoriated top with easy snap-on assembly. Materials to be selected as required for application.

### Top Size and Material - (Pick ONE)

LC-CR05DI 5 [127] Ductile Iron Top ..... 1-19/32 [41] Min. 3-1/8 [80] Max. Adjustment

### Threaded Shank Material - (Pick ONE)

LC-CS Cast Iron Adaptor ..... 4 [102] NPSM Threads  
 LC-PS ABS Adaptor ..... 4 [102] NPSM Threads

### Drain Body Material / Outlet Size / Outlet Type - (Pick ONE)

<input type="checkbox"/> LC-C2N D.C.C.I. ....	4 [102] Body Ht. ....	2 [51] No-Hub Outlet
<input type="checkbox"/> LC-C3N D.C.C.I. ....	4 [102] Body Ht. ....	3 [76] No-Hub Outlet
<input type="checkbox"/> LC-C4N D.C.C.I. ....	4 [102] Body Ht. ....	4 [102] No-Hub Outlet
<input type="checkbox"/> LC-C2P D.C.C.I. ....	4-5/64 [104] Body Ht. ....	2 [51] Push-On Outlet
<input type="checkbox"/> LC-C3P D.C.C.I. ....	4-3/64 [102] Body Ht. ....	3 [76] Push-On Outlet
<input type="checkbox"/> LC-C4P D.C.C.I. ....	4-1/64 [102] Body Ht. ....	4 [102] Push-On Outlet
<input type="checkbox"/> LC-A2S ABS .....	3-5/64 [78] Body Ht. ....	2 [51] Solvent Weld Outlet
<input type="checkbox"/> LC-A3S ABS .....	3-51/64 [96] Body Ht. ....	3 [76] Solvent Weld Outlet
<input type="checkbox"/> LC-A4S ABS .....	4-1/64 [102] Body Ht. ....	4 [102] Solvent Weld Outlet
<input type="checkbox"/> LC-P2S PVC .....	3-5/64 [78] Body Ht. ....	2 [51] Solvent Weld Outlet
<input type="checkbox"/> LC-P3S PVC .....	3-51/64 [96] Body Ht. ....	3 [76] Solvent Weld Outlet
<input type="checkbox"/> LC-P4S PVC .....	4-1/64 [102] Body Ht. ....	4 [102] Solvent Weld Outlet

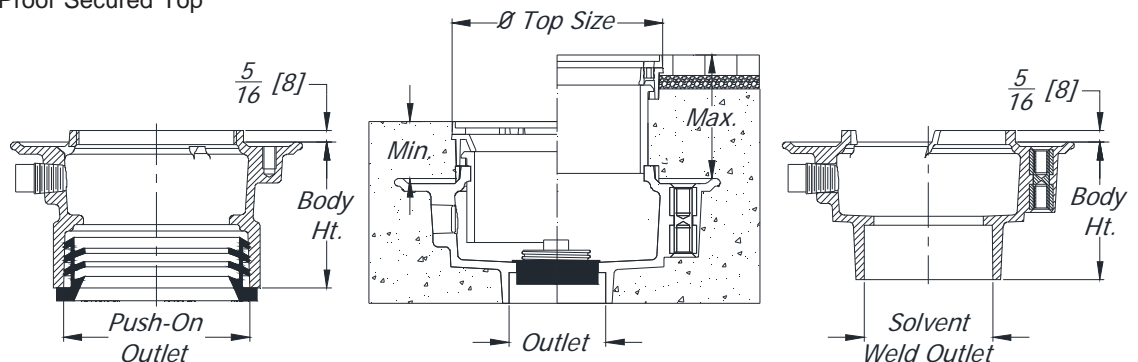
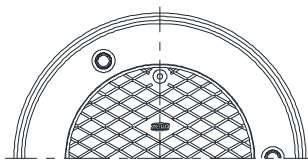
### Plug Size - (Pick ONE) - Must match outlet size

LC-2P 2 [51] Cleanout Plug  
 LC-3P 3 [76] Cleanout Plug  
 LC-4P 4 [102] Cleanout Plug

(Check/specify appropriate drain options)

### Suffixes

LC-CC Cast Iron Membrane Clamp Collar  
 LC-RC Universal Pre-Pour ABS Rough-In Cover for 5 [127] and 6 [152] Round and Square Tops.  
 LC-RC5 Pre-Pour ABS Rough-In Cover for 5 [127] Round Top.  
 LC-RC6 Pre-Pour ABS Rough-In Cover for 6 [152] Round Top.  
 LC-VP Vandal-Proof Secured Top



\* Regularly furnished unless otherwise specified.





# Square Adjustable Floor Cleanout w/ Polished Nickel Bronze or Stainless Steel Top

Dimensional data (inches and [mm]) are subject to manufacturing tolerances and change without notice.

## PRODUCT DESCRIPTION:

(Dura-Coated Cast Iron, ABS, or PVC) cleanout body, gasketed removable ABS cleanout plug, (Cast Iron or ABS) threaded adjustable adaptor, and square (Polished Nickel Bronze or Stainless Steel) secured, light-duty scoriated top with easy snap-on assembly. Materials to be selected as required for application.

### Top Size and Material - (Pick ONE)

<input type="checkbox"/> LC-CS05NI	5 x 5 [127 x 127]	Polished Nickel Bronze Top	.....	1-19/32 [41]	Min. 3-7/32 [82]	Max. Adjustment
<input type="checkbox"/> LC-CS06NI	6 x 6 [152 x 152]	Polished Nickel Bronze Top	.....	1-19/32 [41]	Min. 3-7/32 [82]	Max. Adjustment
<input type="checkbox"/> LC-CS05SS	5 x 5 [127 x 127]	Stainless Steel Top	.....	1-19/32 [41]	Min. 3-7/32 [82]	Max. Adjustment
<input type="checkbox"/> LC-CS06SS	6 x 6 [152 x 152]	Stainless Steel Top	.....	1-19/32 [41]	Min. 3-7/32 [82]	Max. Adjustment

### Threaded Shank Material - (Pick ONE)

<input type="checkbox"/> LC-CS	Cast Iron Adaptor	.....	4 [102]	NPSM Threads
<input type="checkbox"/> LC-PS	ABS Adaptor	.....	4 [102]	NPSM Threads

### Drain Body Material / Outlet Size / Outlet Type - (Pick ONE)

<input type="checkbox"/> LC-C2N	D.C.C.I.	.....	4 [102]	Body Ht.	.....	2 [51]	No-Hub Outlet
<input type="checkbox"/> LC-C3N	D.C.C.I.	.....	4 [102]	Body Ht.	.....	3 [76]	No-Hub Outlet
<input type="checkbox"/> LC-C4N	D.C.C.I.	.....	4 [102]	Body Ht.	.....	4 [102]	No-Hub Outlet
<input type="checkbox"/> LC-C2P	D.C.C.I.	.....	4-5/64	[104] Body Ht.	.....	2 [51]	Push-On Outlet
<input type="checkbox"/> LC-C3P	D.C.C.I.	.....	4-3/64	[102] Body Ht.	.....	3 [76]	Push-On Outlet
<input type="checkbox"/> LC-C4P	D.C.C.I.	.....	4-1/64	[102] Body Ht.	.....	4 [102]	Push-On Outlet
<input type="checkbox"/> LC-A2S	ABS	.....	3-5/64	[78] Body Ht.	.....	2 [51]	Solvent Weld Outlet
<input type="checkbox"/> LC-A3S	ABS	.....	3-51/64	[96] Body Ht.	.....	3 [76]	Solvent Weld Outlet
<input type="checkbox"/> LC-A4S	ABS	.....	4-1/64	[102] Body Ht.	.....	4 [102]	Solvent Weld Outlet
<input type="checkbox"/> LC-P2S	PVC	.....	3-5/64	[78] Body Ht.	.....	2 [51]	Solvent Weld Outlet
<input type="checkbox"/> LC-P3S	PVC	.....	3-51/64	[96] Body Ht.	.....	3 [76]	Solvent Weld Outlet
<input type="checkbox"/> LC-P4S	PVC	.....	4-1/64	[102] Body Ht.	.....	4 [102]	Solvent Weld Outlet

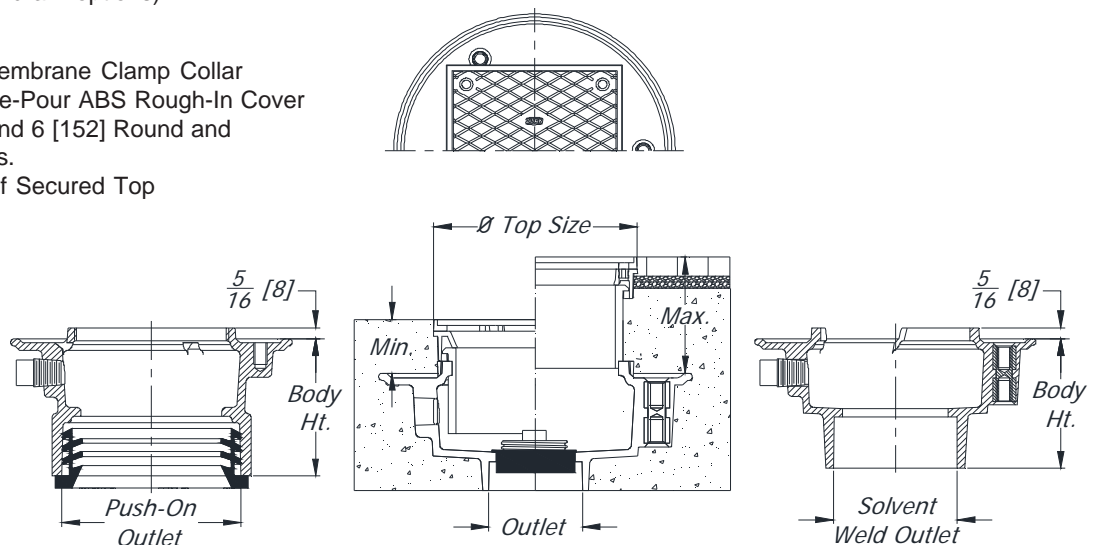
### Plug Size - (Pick ONE) - Must match outlet size

<input type="checkbox"/> LC-2P	2 [51]	Cleanout Plug
<input type="checkbox"/> LC-3P	3 [76]	Cleanout Plug
<input type="checkbox"/> LC-4P	4 [102]	Cleanout Plug

(Check/specify appropriate drain options)

### Suffixes

- LC-CC Cast Iron Membrane Clamp Collar
- LC-RC Universal Pre-Pour ABS Rough-In Cover for 5 [127] and 6 [152] Round and Square Tops.
- LC-VP Vandal-Proof Secured Top



\* Regularly furnished unless otherwise specified.



# Rough-In Cover

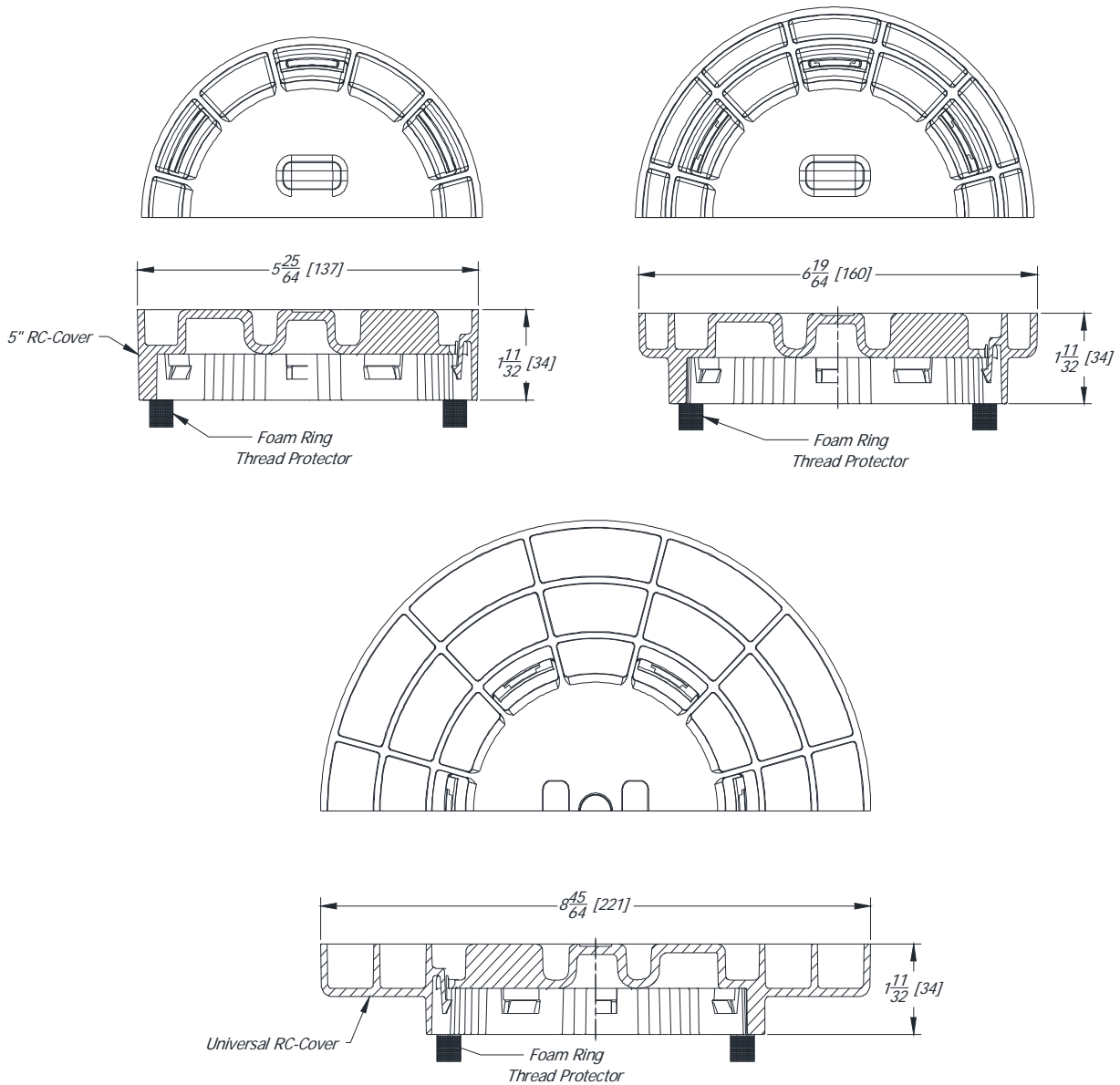
Dimensional data (inches and [mm]) are subject to manufacturing tolerances and change without notice.

## PRODUCT DESCRIPTION:

(ABS) Rough-In cover.

### Cover Size - (Pick ONE)

- LC-RC Universal Pre-Pour ABS Rough-In Cover for 5 [127] and 6 [152] Round and Square Tops.
- LC-RC5 Pre-Pour ABS Rough-In Cover for 5 [127] Round Top.
- LC-RC6 Pre-Pour ABS Rough-In Cover for 6 [152] Round Top.



\* Regularly furnished unless otherwise specified.



## Accessories

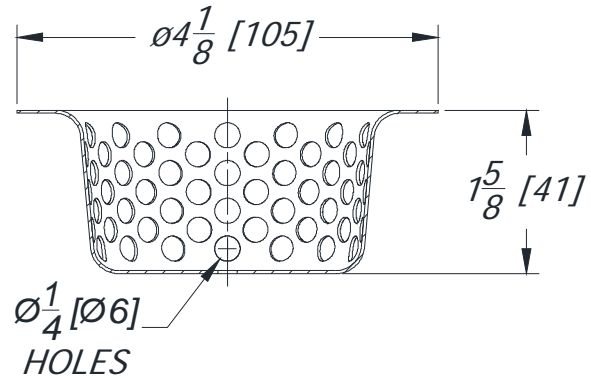
Dimensional data (inches and [mm]) are subject to manufacturing tolerances and change without notice.

### PRODUCT DESCRIPTION:

Perforated Stainless Steel Debris Basket.

#### Suffix - (Pick ONE)

\_\_\_ LC-DB Debris Bucket

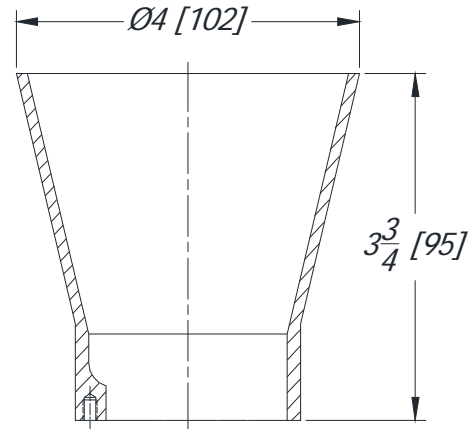


### PRODUCT DESCRIPTION:

Nickel Bronze funnel. Secure to grate with included hardware.

#### Suffix - (Pick ONE)

\_\_\_ LC-FN Nickel Bronze Funnel

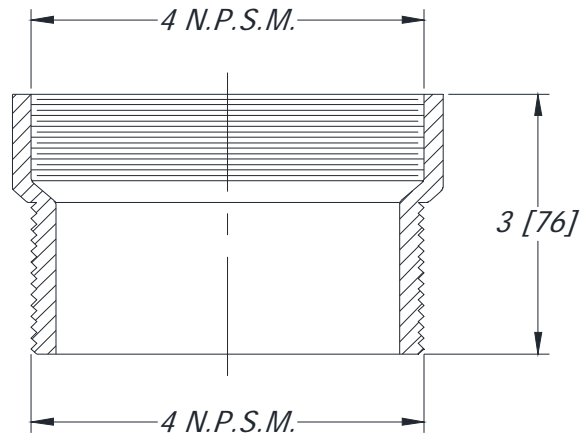


### PRODUCT DESCRIPTION:

Cast Iron Adjustable Extension

#### Suffix - (Pick ONE)

\_\_\_ LC-U Cast Iron Adjustable Extension



\* Regularly furnished unless otherwise specified.