

Code	Short Description	Long Description	Corrective Action
F31	Dual Temperature Sensor B Error	Dual Temperature Sensor B is out of normal operating range, meaning the sensor is either open or shorted.	<ol style="list-style-type: none"> <li>1. Manually reset the water heater.</li> <li>2. Observe water heater operation. If fault code occurs again:</li> <li>3. Check the Dual Temperature Sensor. Ensure it is properly wired to the control, and that there are no breaks, cuts, or other visible issues with the sensor wire.</li> <li>4. Use an ohmmeter to check resistance on Sensor B of the Dual Temperature Sensor.</li> <li>5. Replace Dual Temperature Sensor if Sensor B fails the resistance test. See Figure 24.</li> </ol>
F35	Dual Temperature Sensor A Error	Dual Temperature Sensor A is out of normal operating range, meaning the sensor is either open or shorted.	<ol style="list-style-type: none"> <li>1. Manually reset the water heater.</li> <li>2. Observe water heater operation. If fault code occurs again:</li> <li>3. Check the Dual Temperature Sensor. Ensure it is properly wired to the control, and that there are no breaks, cuts, or other visible issues with the sensor wire.</li> <li>4. Use an ohmmeter to check resistance on Sensor A of the Dual Temperature Sensor.</li> <li>5. Replace Dual Temperature Sensor if Sensor A fails the resistance test. See Figure 24.</li> </ol>
F82	Unstable Flame Lockout	The control detects an unstable flame.	<ol style="list-style-type: none"> <li>1. Manually reset the water heater.</li> <li>2. Observe water heater operation.</li> <li>3. If fault code occurs again check for stable gas pressure.</li> <li>4. Check ignitor cable connections.</li> <li>5. Check ignitor cable ground.</li> <li>6. Replace cable.</li> <li>7. Replace ignitor.</li> </ol>

Table 20 - Lockout Fault Codes - NOTE: If you replace a part to remedy a fault, it is recommended that you cycle the water heater at least three or four times to assure the fault has been resolved.

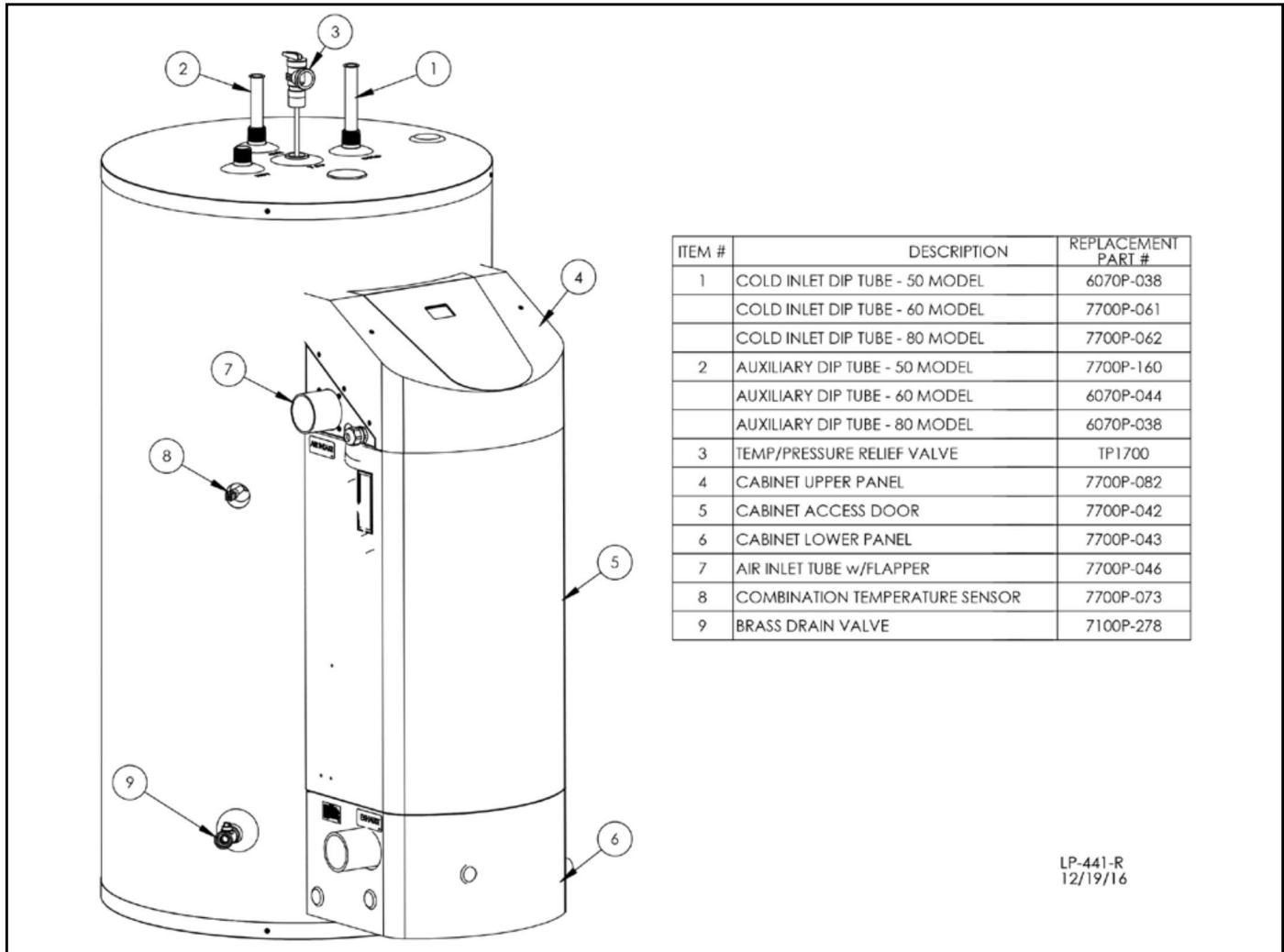
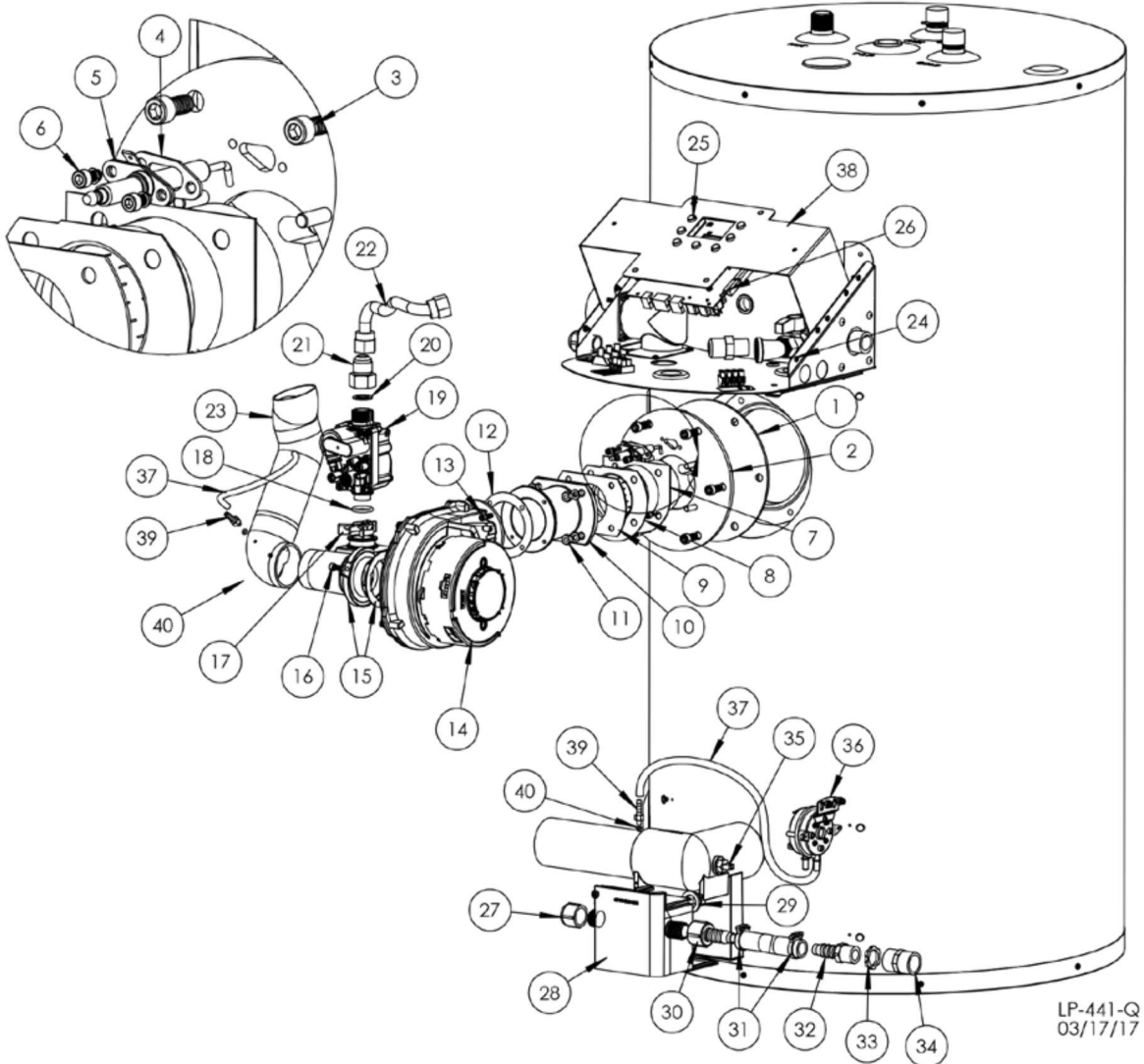


Figure 27 - Replacement Parts



ITEM #	DESCRIPTION	REPLACEMENT PART #			
1	GASKET - BURNER MOUNTING PLATE	7700P-017	22	GAS LINE - FLEXIBLE 1/2"	7100P-140
2	BURNER MOUNTING PLATE	7700P-016	23	AIR INLET	7500P-189
3	SCREWS - 5/16-18 - BURNER MOUNTING PLATE	7700P-101	24	GAS SHUT-OFF VALVE	7250P-140
4	GASKET - IGNITOR	7700P-071	25	KEYPAD	7700P-039
5	ELECTRODE - SPARK (w/GASKET)	7100P-124	26	CONTROL BOARD - NATURAL GAS	7700P-037
6	SCREWS/WASHERS 10-32 - ELECTRODE (2)	7100P-097		CONTROL BOARD - LP GAS	7700P-004
7	GASKET - BURNER FLANGE	7100P-152	27	CAP - 1/2" NPT	7700P-078
8	BURNER (w/GASKET)	7700P-104	28	CONDENSATE TRAP	7700P-026
9	GASKET - BLOWER OUTLET	7000P-361	29	WASHER - CONDENSATE	7700P-031
	GASKET - BLOWER OUTLET (LP ONLY)	7700P-107	30	ADAPTER - 1/2" NPT FEM X BARB	7700P-076
10	AIR INLET CHANNEL	7700P-003	31	CONDENSATE HOSE (w/CLAMPS)	7700P-068
11	NUTS/WASHER - 1/4-20	7100P-268	32	FITTING - 1/2" NPT MALE X BARB	7100P-044
12	GASKET - AIR INLET CHANNEL/BLOWER	7500P-075	33	LOCKNUT - 1/2"	7700P-002
	GASKET- AIR INLET CHANNEL/BLOWER (LP ONLY)	7700P-106	34	ADAPTER - 1/2 X 1/2	7700P-077
13	SCREW - 10-32 - COMBUSTION BLOWER	7700P-094	35	FLUE TEMPERATURE SENSOR	7450P-026
14	COMBUSTION BLOWER	7700P-102	36	PRESSURE SWITCH	7700P-038
15	VENTURI	7700P-032	37	HOSE - PRESSURE SWITCH/GAS VALVE	7000P-805
16	SCREW - M5 X 12MM - VENTURI	7250P-478	38	CONTROL BOARD MOUNTING PANEL	7700P-044
17	CLIP - VENTURI	7700P-034	39	STAINLESS STEEL BARB	7250P-154
18	O-RING - VENTURI	7700P-035	40	O-RING	7250P-152
19	GAS VALVE	7700P-036		LOW VOLTAGE WIRE HARNESS (NOT SHOWN)	7700P-085
20	WASHER - FEMALE ADAPTER	7450P-115		120V WIRE HARNESS (NOT SHOWN)	7700P-086
21	FITTING - FLARE X BSPP ADAPTER	7700P-072		POWER PLUG (NOT SHOWN)	7700P-110
				SPARK CABLE (NOT SHOWN)	7700P-019

Figure 28 - Replacement Parts