

Features

- Bracket pivots and rotates to position handshower at desired angle
- For use with a handshower and hose (sold separately)
- Includes supply elbow. Integrated supply and holder reduces the number of components needed in the shower space, allowing for a cleaner look
- Includes check valve for backflow prevention
- Coordinates with other products in the Artifacts collection

Material

- Premium metal construction
- KOHLER finishes resist corrosion and tarnishing

Installation

- Wall-mount



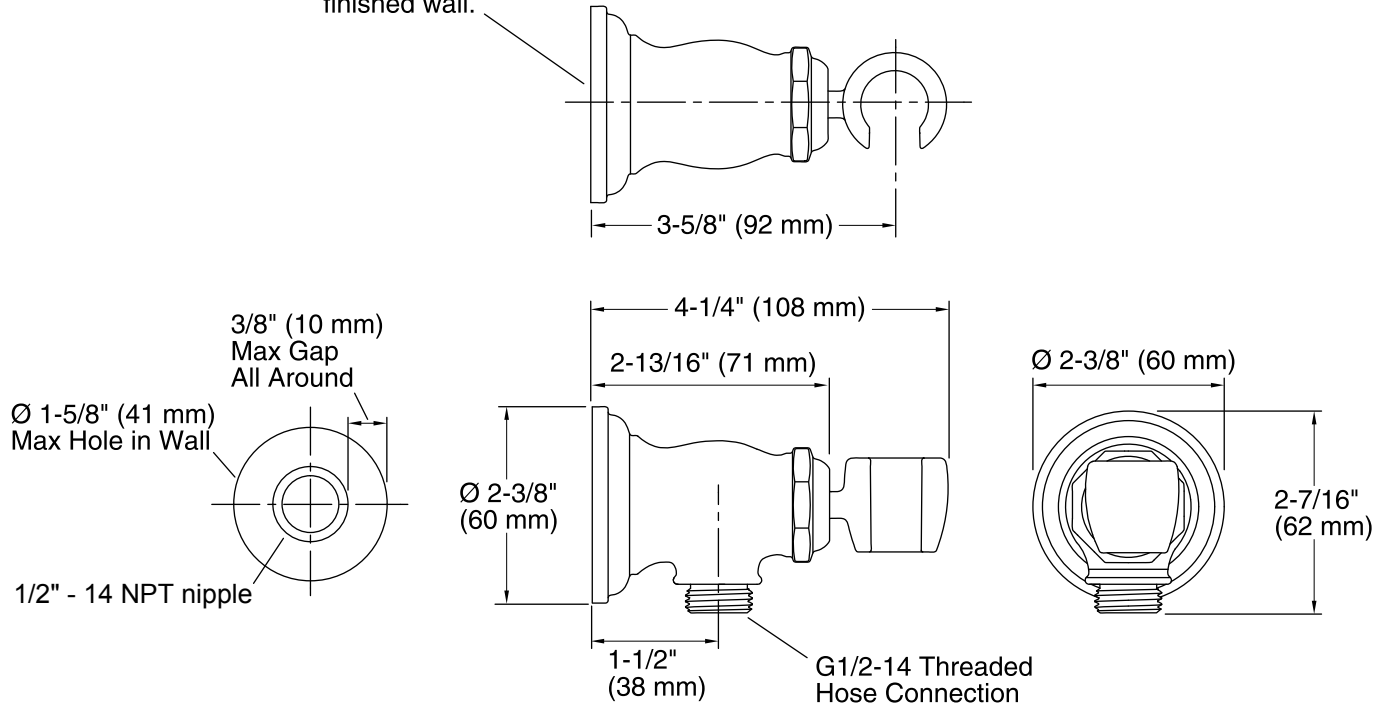
Codes/Standards

ASME A112.18.1/CSA B125.1
ASSE 1014

KOHLER® Faucet Lifetime Limited Warranty

See website for detailed warranty information.

For NPT connection, nipple must extend 11/16" (17 mm) beyond finished wall.



Technical Information

All product dimensions are nominal.

Notes

Install this product according to the installation guide.

Installs using a 1/2"-14 NPT nipple (not supplied).