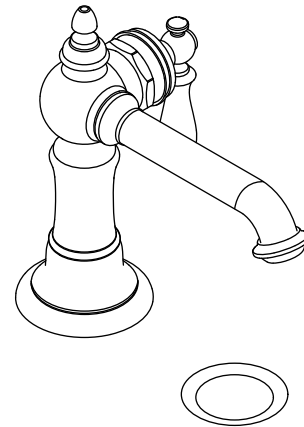


**BATHROOM SINK FAUCET
K-72762**

Features

- Brass construction
- One-piece, self-contained ceramic disc valve allows both volume and temperature control
- Temperature memory allows faucet to be turned on and off at any temperature setting
- Flexible connections for easy installation
- Touch-activated drain with tailpiece and overflow
- 5-11/16" (144 mm) spout reach
- 1.5 gal/min (5.7 l/min) maximum flow rate



Codes/Standards Applicable

Specified model meets or exceeds the following at date of manufacture:

- ADA
- ICC/ANSI A117.1
- ASME A112.18.1/CSA B125.1
- NSF 61
- EPA WaterSense®
- All applicable US Federal and State material regulations

Colors/Finishes

- CP: Polished Chrome
- Other: Refer to Price Book for additional colors/finishes

Specified Model

Model	Description	Description	
K-72762-9M	Bathroom sink faucet	<input type="checkbox"/> CP	<input type="checkbox"/> Other ____
Optional Accessories			
Additional flow options are available (refer to the Kohler Price Book)			<input type="checkbox"/> NA

Product Specification

Single-handle bathroom sink faucet shall be of brass construction. Faucet shall have a 1.5 gal/min (5.7 l/min) maximum flow rate. Faucet shall feature a one-piece, self-contained ceramic disc valve, which allows for both volume and temperature control. Faucet shall feature temperature memory, allowing the faucet to be turned on and off at any temperature setting. Faucet shall feature 5-11/16" (144 mm) spout reach. Faucet shall include flexible connections for easy installation. Faucet shall include a touch-activated drain with tailpiece and overflow. Bathroom sink faucet shall be Kohler Model K-72762-9M-_____.

ARTIFACTS™

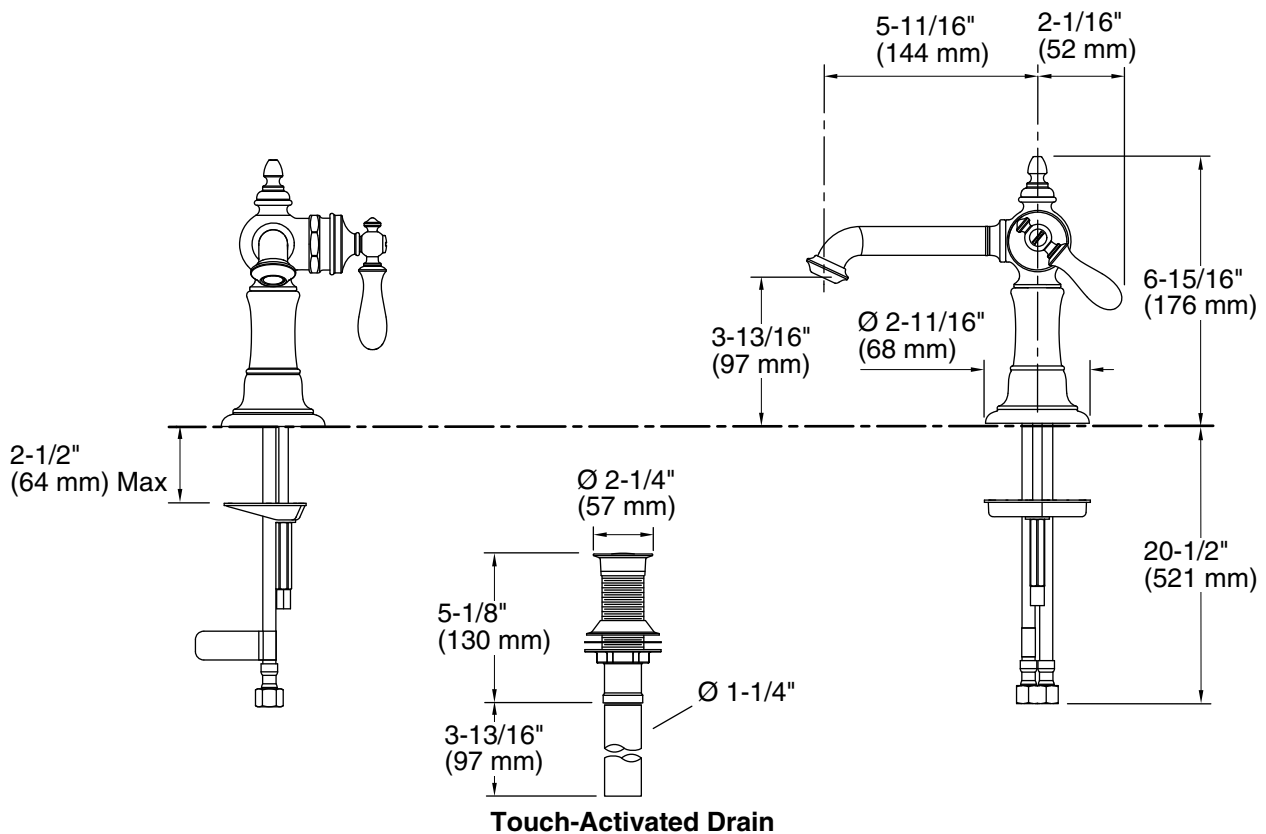
Technical Information

Included components:	
Drain with tailpiece and overflow	1035625

Installation Notes

Install this product according to the installation guide.

ADA compliant when installed to the specific requirements of the regulation.



Product Diagram