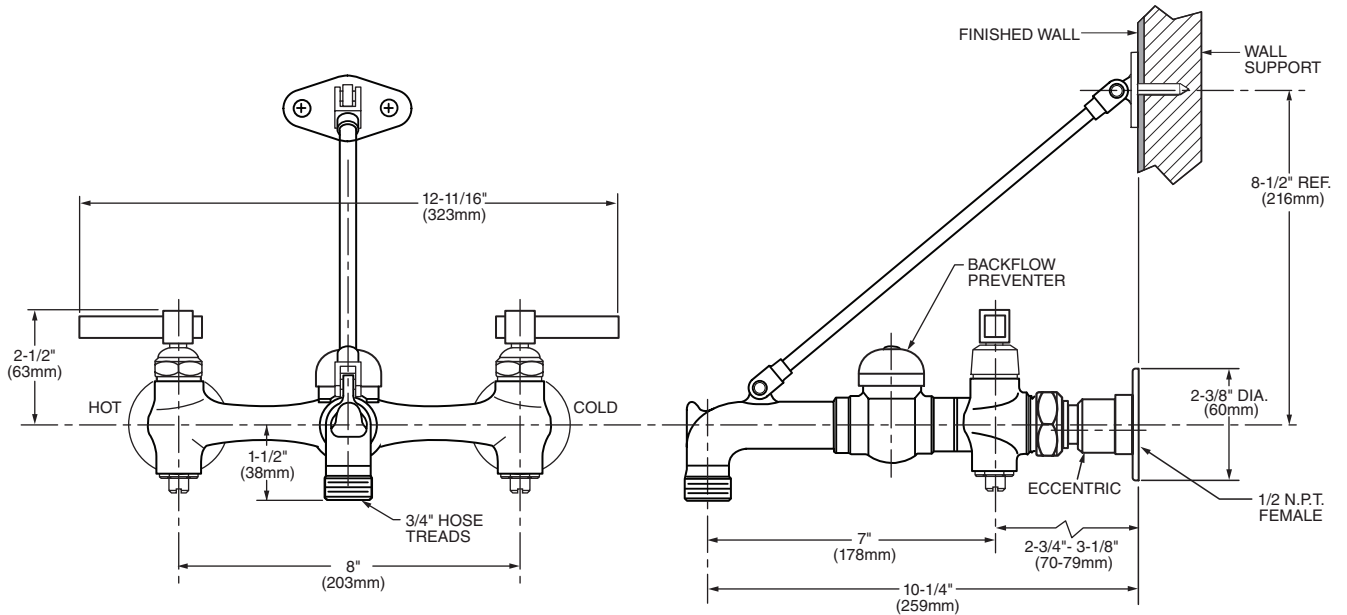


MODEL NUMBER:

- 8344.212 Exposed Yoke Wall-Mount Utility Faucet**
 Top brace. 6" cast brass spout with vacuum breaker.
 Ceramic disc valves. Integral supply stops. Metal lever
 handles. Bucket hook. 3/4" threaded hose end. 1/2" NPT
 female inlets. Rough Chrome (004) finish.



GENERAL DESCRIPTION:

Cast brass body. Metal lever handles with hot and cold indicators. 1/4 turn ceramic disc valve cartridges. Vacuum breaker prevents back flow. Integral supply stops. Spout, top braced to wall, with bucket hook and threaded hose end. 1/2" female inlets adjustable from 7-7/8" to 8-1/8".

PRODUCT FEATURES:

Cast Brass Construction: Durable - Excellent in high use applications.

Ceramic Disc Valve Cartridges: Assure a lifetime of drip-free performance.

Vacuum Breaker: Prevents back flow.

Integral Supply Stops: Permits easy and convenient access.

Top Brace: Provides additional support.

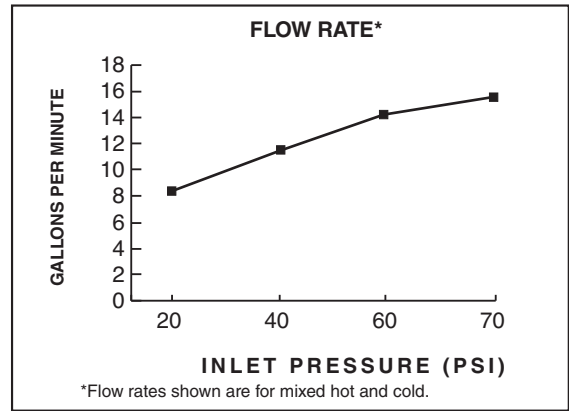
SUGGESTED SPECIFICATION

Exposed yoke wall-mount utility faucet shall feature a cast brass body with integral supply stops. Cast brass spout with bucket hook, top brace, and vandal-resistant metal lever handles. Shall feature vacuum breaker to prevent back flow. Shall also feature 1/4 turn washerless ceramic disc valve cartridges. Fitting shall be American Standard Model # 8344.212.004.

CODES AND STANDARDS

These products meet or exceed the following codes and standards:

- ASME A112.18.1
- ASSE 1001
- CSA B 125
- ANSI A117.1



Product Number	Description	Finish
		Rough Chrome
		004
8344.212	Exposed Yoke Wall-Mount Utility Faucet	