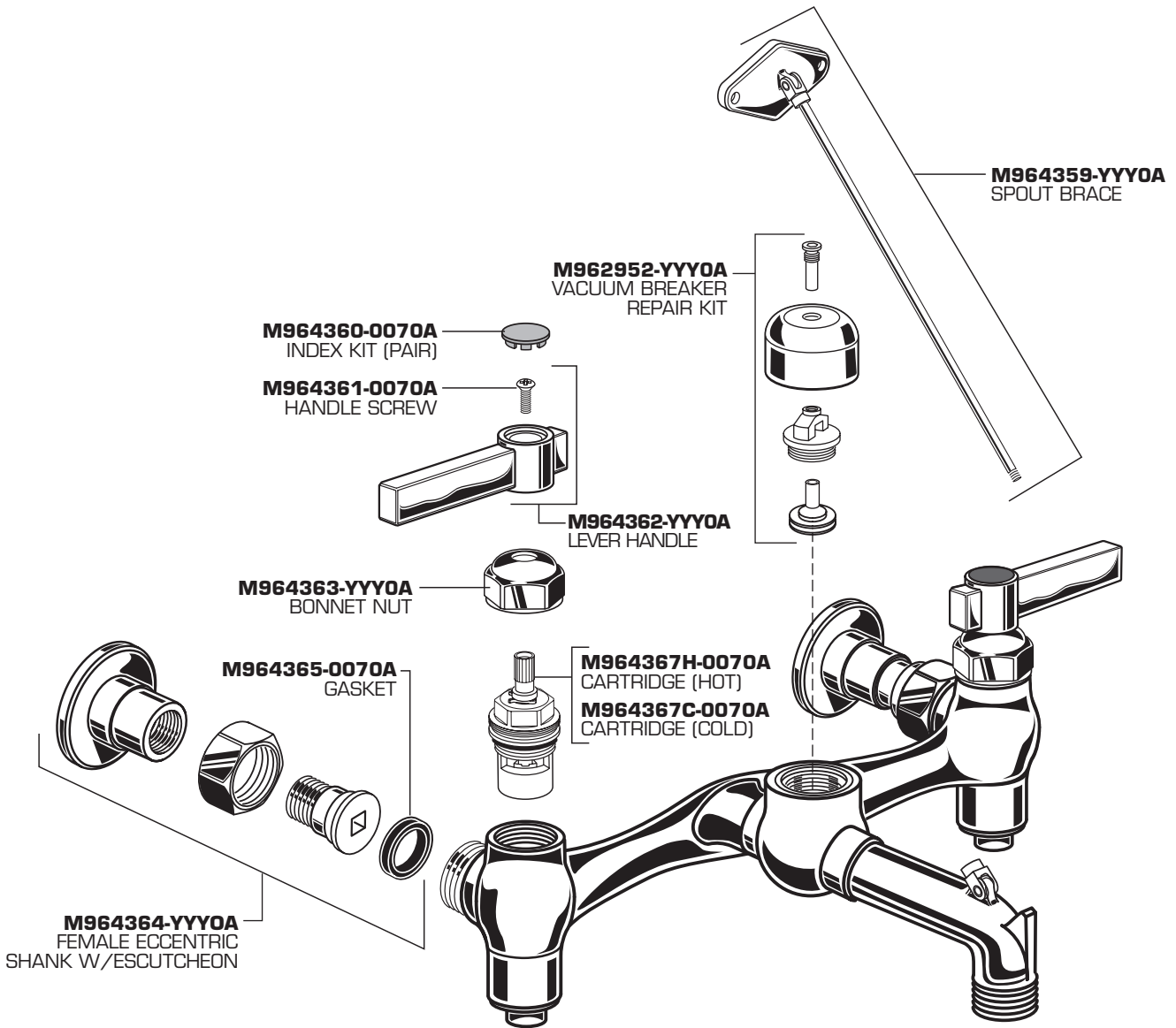


American Standard

Exposed Wall Mount Sink Faucet with Top Brace

MODEL NUMBER
8344.212



Replace the "YYY" with appropriate finish code

CHROME	002
ROUGH CHROME	004



HOT LINE FOR HELP

For toll-free information and answers to your questions, call:
1-800-442-1902
Weekdays 8:00 a.m. to 6:00 p.m. EST
IN CANADA 1-800-387-0369 (TORONTO 1-905-306-1093)
Weekdays 8:00 a.m. to 7:00 p.m. EST
IN MEXICO 01-800-839-1200

Product names listed herein are trademarks of American Standard Inc.
© AS America, Inc. 2013