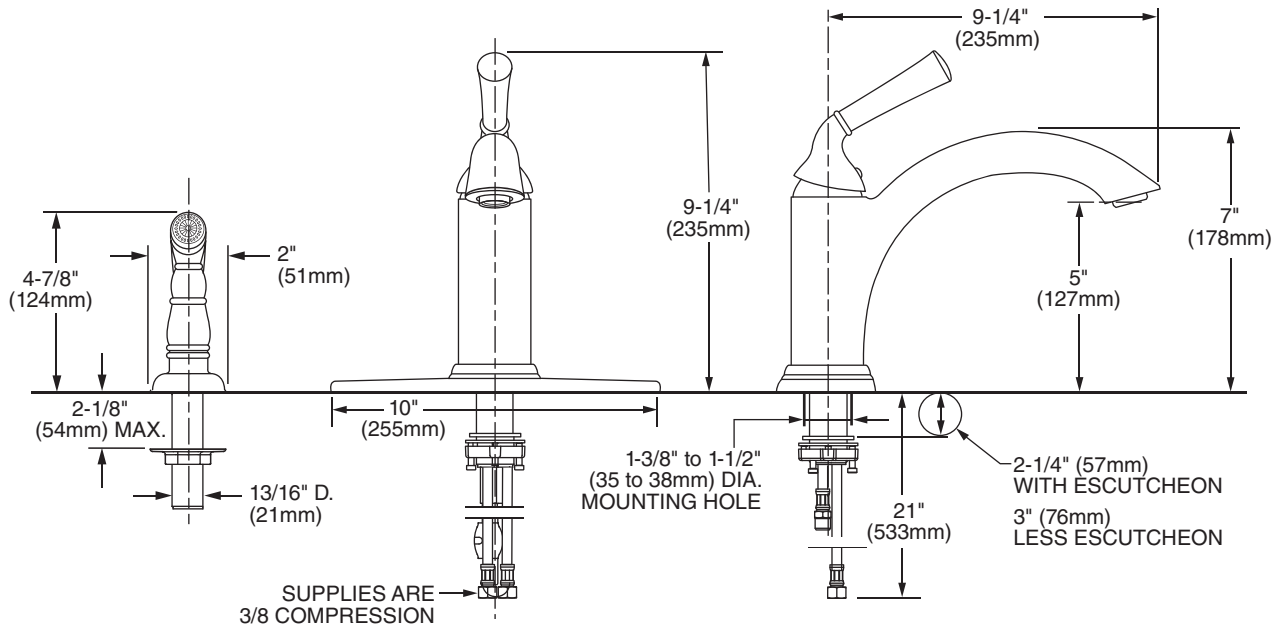




**MODEL NUMBER:**

- ☐ **4285.001 Kitchen Faucet**  
 Separate color-matched handspray.



**GENERAL DESCRIPTION:**

Cast brass body and swivel spout (360° rotation). Metal escutcheon plate and metal lever handle. Washerless 40mm ceramic disc valve cartridge. Braided flexible Stainless Steel supply hoses with 3/8" compression connections. 2.2gpm/8.3L/min. maximum flow rate. Metal mounting shank with brass fixation ring (for installation on counters up to 2"). Can be mounted with or without supplied escutcheon plate (escutcheon size 10-1/16"L x 2-1/2"W). Color-matched hand spray. Cap provided for less spray applications.

**PRODUCT FEATURES:**

- Ceramic Disc Valve Cartridge:** Assures a lifetime of drip-free performance.
- Cast Brass Spout:** Highest quality faucet materials for durability and long life.
- Memory Position Valving:** Allows user to turn valve on and off at preferred temperature setting without readjusting handle position each time.
- Lead Free:** Faucet contains ≤ 0.25% total lead content by weighted average.

**SUGGESTED SPECIFICATION:**

Single control kitchen faucet shall feature a cast brass body and swivel spout, and metal handle. Shall also feature washerless 40mm ceramic disc valve cartridge and flexible Stainless Steel supply hoses. Fitting shall be American Standard Model # 4285.001.\_\_\_\_\_.

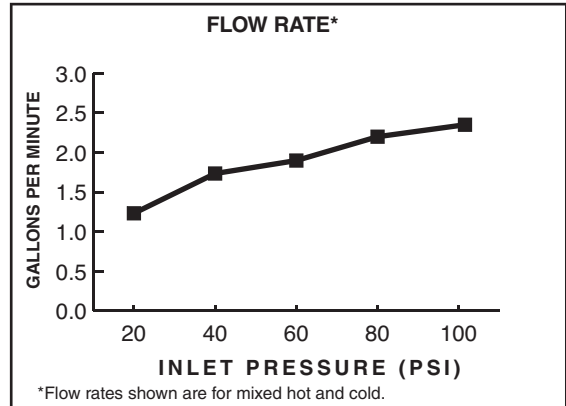


**PORTSMOUTH®**  
**SINGLE CONTROL KITCHEN FAUCET**  
 WITH CAST BRASS SPOUT

**CODES AND STANDARDS**

These products meet or exceed the following codes and standards:

- ANSI A117.1**
- ASME A112.18.1**
- CSA B 125**
- NSF 61/Section 9 & Annex G**



**2.2gpm/8.3L/min. FLOW RATE**

Product Number	Description	Finish Options		
		Polished Chrome	Stainless Steel (PVD)	Oil Rubbed Bronze
		002	075	224
4285.001	Kitchen faucet with side spray.			

 Meets the American Disabilities Act Guidelines and **ANSI A117.1** Requirements for the physically challenged.