

CADET FREESTANDING TUB

2764.014M202 CADET FREESTANDING TUB

Product Features:

- Sleek contemporary styling
- High-gloss acrylic-capped ABS with fiberglass reinforcement
- Soaking tub with extra deep bathing well
- Wide accessory storage deck
- Complete tub kit - Chrome Freestanding tub filler with hand spray and drain included
- Pre-leveled tub bottom
- Limited Lifetime warranty

Nominal Dimensions:

66" x 32" x 23" (tub only)
(1676 x 813 x 584mm)

Installed size with filler:

66" x 42" min. x 23"
(1676 x 1067 min. x 584mm)

Compliance Certifications -

Meets or Exceeds the Following Specifications:

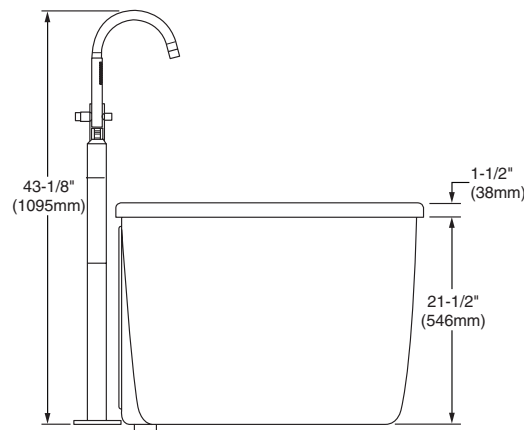
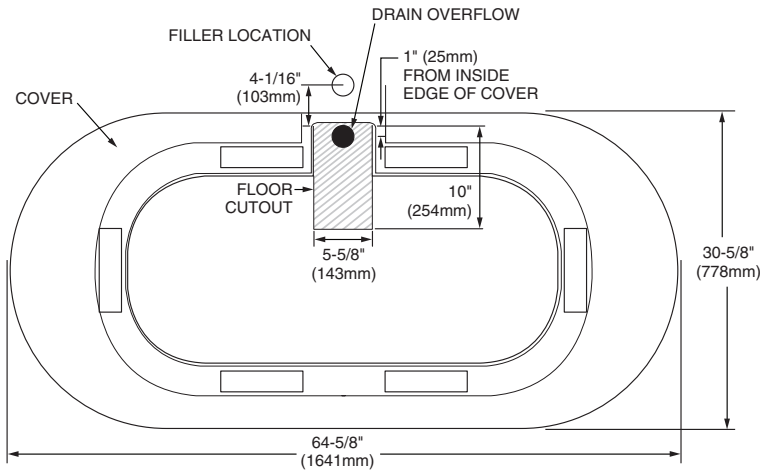
- ANSI Z124.1 for Plastic Bathtubs
- cUPC



SEE REVERSE SIDE FOR ROUGHING-IN DIMENSIONS
AND PRODUCT SPECIFICATIONS

To Be Specified - Required:

- Color: Arctic White



GENERAL SPECIFICATIONS FOR 2764.004CM202 & 2764.014M202 TUB	
INSTALLED SIZE _____	66 x 32 x 23 In. (TUB ONLY) (1676 x 813 x 584mm)
WEIGHT _____	120 Lbs. (54 Kg)
WEIGHT w/WATER _____	600 Lbs. (272 Kg)
GAL. TO OVERFLOW _____	58 Gal. (220 L)
BATHING WELL AT SUMP _____	47.25 x 20.5 In. (1200 x 521mm)
BATHING WELL AT RIM _____	56.25 X 23.25 In. (1429 x 591mm)
WATER DEPTH TO OVERFLOW _____	14.625 In. (371mm)
FLOOR LOADING _____	79 Lbs./Sq.Ft. (386 Kgs/Sq.m) (PROJECTED AREA)

NOTES:

■ REFER TO INSTALLATION INSTRUCTIONS SUPPLIED WITH BATHTUB FOR ADDITIONAL INFORMATION.

IMPORTANT: Dimensions of fixtures are nominal and may vary within the range of tolerances established by ANSI Standard Z124.1. These measurements are subject to change or cancellation. No responsibility is assumed for use of superseded or voided leaflet.