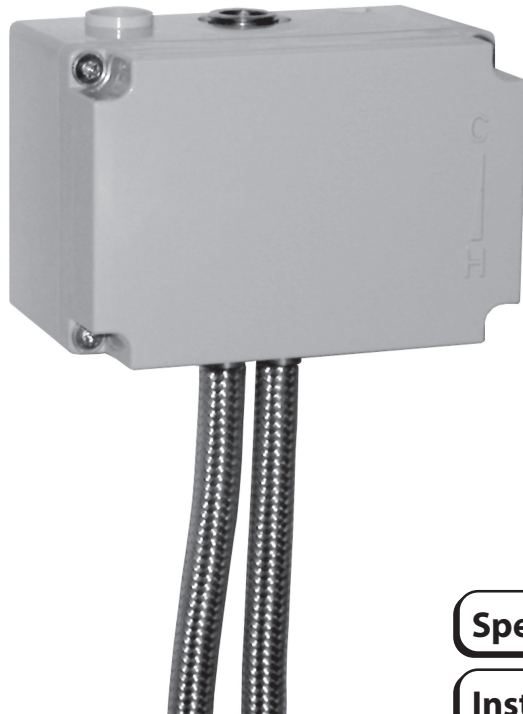


Installation Instructions

SELECTRONIC™ Thermostatic Mixing Valve 605XTMV1070



Specifications 1

Installation 2

Adjust Temperature 3

Service 3

Replacement Parts 4

Certified to comply with ASME A112.18.1M
© 2012 American Standard

M965327

American Standard

NOTE TO INSTALLER: Please give this manual to the customer after installation.

To learn more about American Standard Faucets visit our website at: www.us.amstd.com or U.S. customer's e-mail us at: faucetsupport@amstd.com

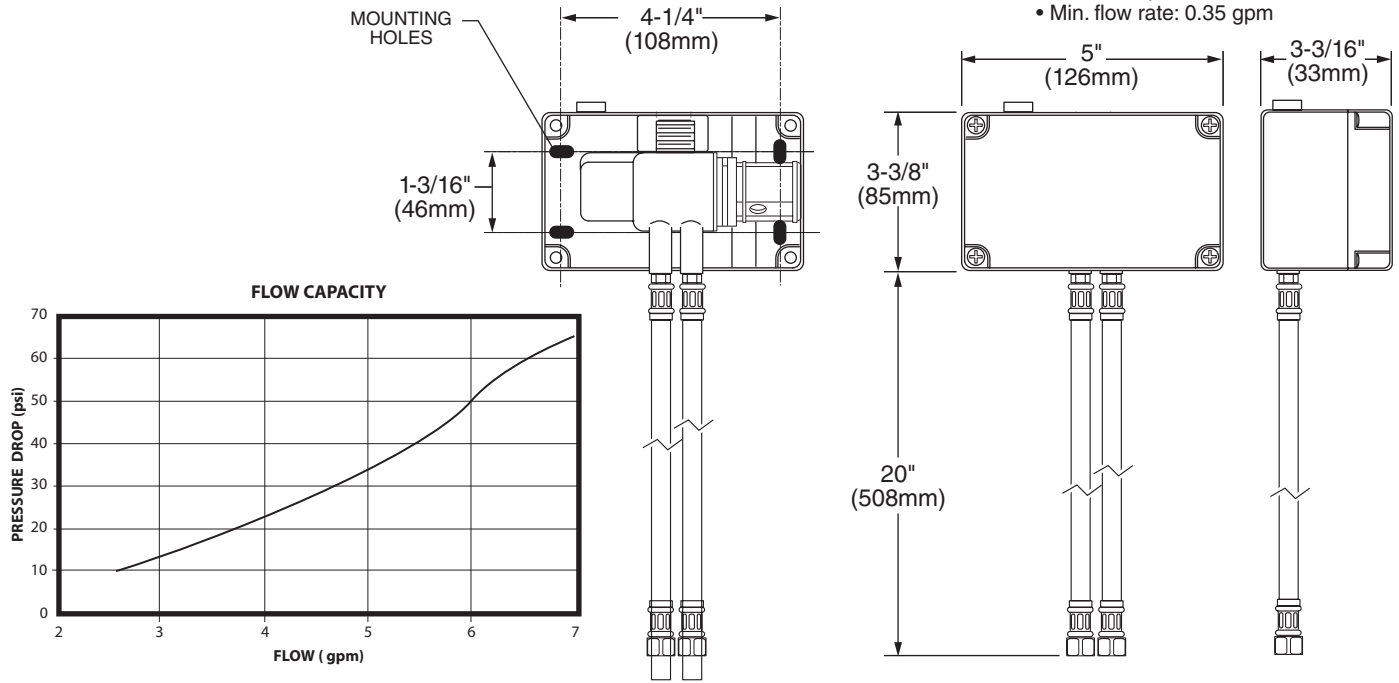
For Parts, Service, Warranty or other Assistance,

please call 1-800-442-1902 (In Canada: 1-800-387-0369)
(In Toronto Area only: 1-905-3061093)

Fig. 1
Roughing-in Dimensions

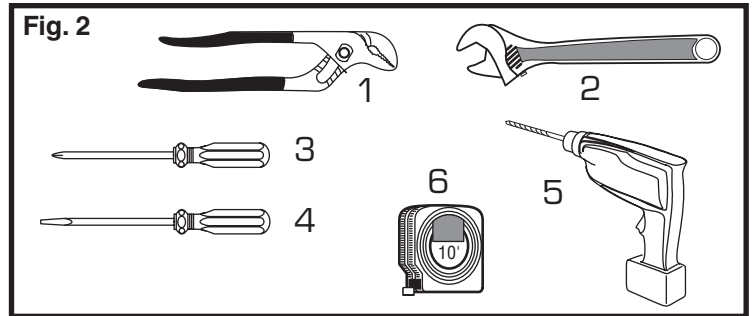
Thermostatic Mixing valve

- 3/8" stainless steel compression flex hoses, 20" length
- Anti-scald protection
- Min. flow rate: 0.35 gpm



TOOLS REQUIRED; Fig. 2

- 1 Channel Locks
- 2 Adjustable Wrench
- 3 Phillips Screwdriver
- 4 Flat Blade Screwdriver
- 5 Electric Drill & 1/4" Drill Bit
- 6 Tape Measure



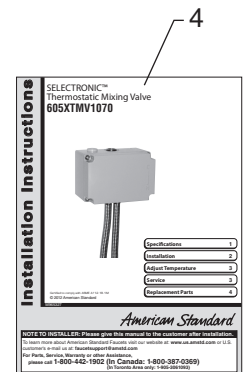
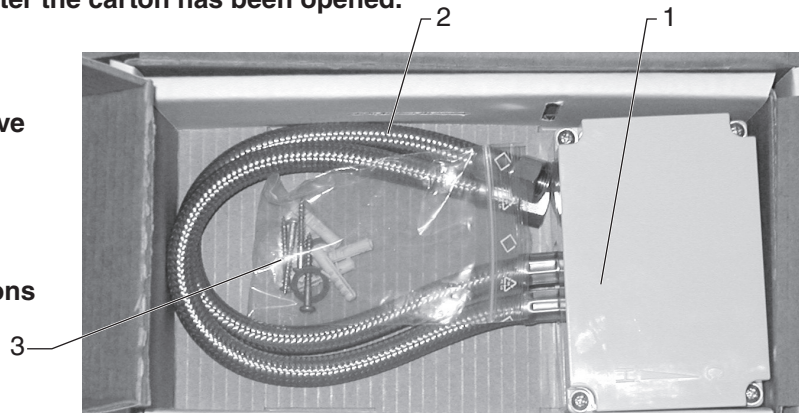
Thank you for selecting American-Standard...the benchmark of fine quality for over 100 years. To ensure that your installation proceeds smoothly--please read these instructions carefully before you begin.

UNPACKING

All American Standard Faucets Are Water Tested At Our Factory. Some Residual Water May Remain In The Faucet During Shipping.

1. Remove the Mixer and loose items from the carton. The picture below shows the Mixer and all loose items after the carton has been opened.

1. Electronics Mixing Valve and Enclosure
2. Supply Hoses
3. Mounting Kit
4. Installations instructions



M965327

INSTALLATION

1 MOUNT ENCLOSURE; Fig. 3

1. Remove the bottom SUPPLY HOSE (1) from the SELECTRONIC ENCLOSURE (2). Fig. 3
2. Remove BOTTOM PLUG (3) from SELECTRONIC ENCLOSURE (2). Fig. 3
3. Remove 4 screws from MIXER ENCLOSURE COVER (2) and pull off COVER (2). Fig. 3b
4. Remove MIXING VALVE (7) from ENCLOSURE (3).
5. Install MIXER ENCLOSURE (4) under SELECTRONIC ENCLOSURE (2) as shown in Fig. (3a). Hold the MIXER ENCLOSURE (4) in that location and mark the four mounting hole locations as shown. Fig. (3a)
NOTE: MIXER ENCLOSURE SUPPLY HOSES are 20" long. Distance between wall valves and MIXER ENCLOSURE (4) must be taken into consideration.
5. The ENCLOSURE (4) works best if secured to a wall stud or cross brace within the wall, using the SCREWS (5) supplied. If the MIXER ENCLOSURE (4) is to be installed on a tile or plaster wall the ANCHORS (6) and SCREWS (5) should be used.

6. For installations on drywall or tiled walls; use ANCHORS (6) and SCREWS (5) for securing MIXER ENCLOSURE (4) to finished wall. Drill four 1/4" dia. holes a minimum of 1-3/4" deep. Insert the four ANCHORS (6) flush with face of the finished wall. Align the MIXER ENCLOSURE (4) and Install the MOUNTING SCREWS (5). Tighten to secure MIXER ENCLOSURE (4) to mounting surface.

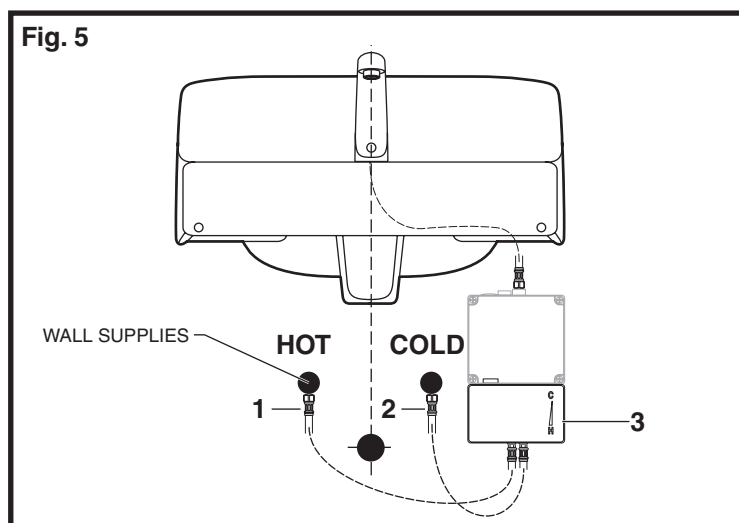
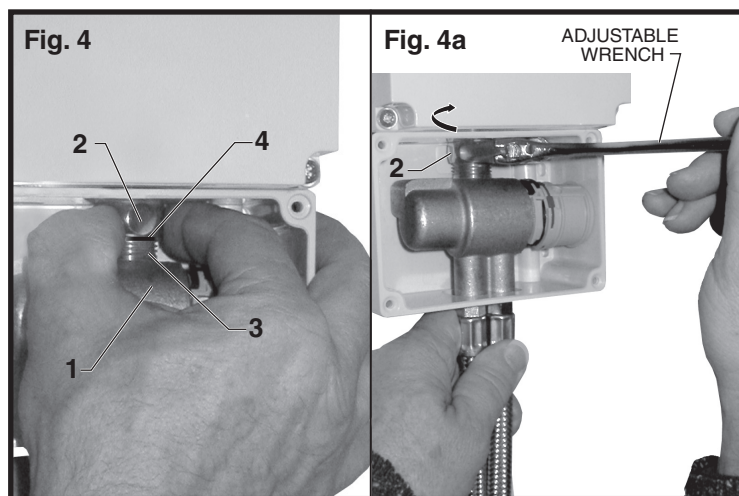
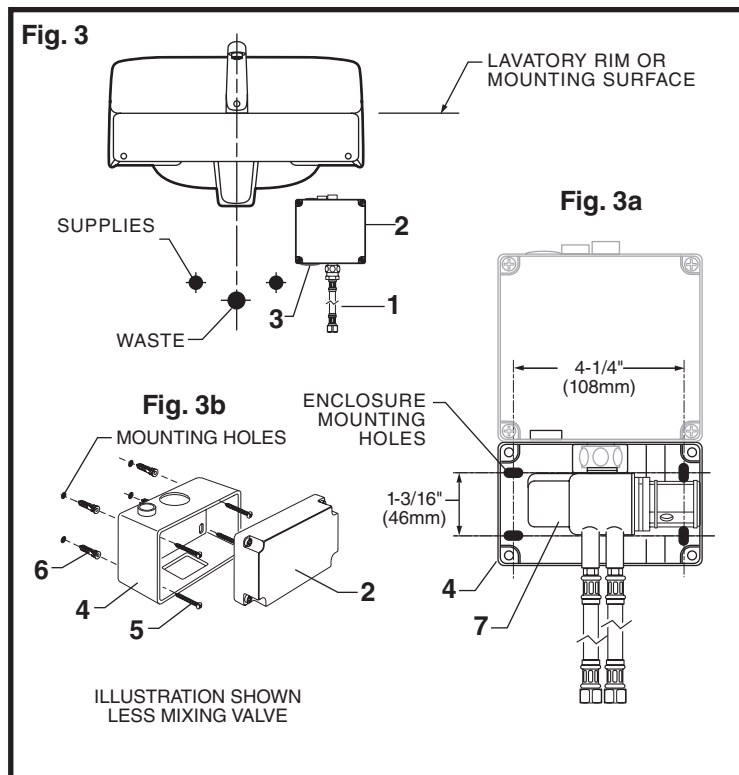
2 CONNECT MIXING VALVE; Fig. 4

1. Install MIXING VALVE (1) back into ENCLOSURE.
2. Install FIBER SEAL WASHER (4) on MIXING VALVE NIPPLE (3). Hold MIXING VALVE (1) in place with one hand and with your other hand thread SWIVEL NUT (2) onto MIXING VALVE NIPPLE (3). Fig. 4. Use an adjustable wrench to tighten SWIVEL NUT (2). Fig. 4a
3. Replace ENCLOSURE COVER and tighten securely.

3 CONNECT MIXING VALVE TO WATER SUPPLIES; Fig. 5

1. Turn off hot and cold water supplies before beginning.
2. Connect FLEXIBLE SUPPLIES (1, 2) directly to wall supplies. Connection on MIXER supplies are 3/8" compression. Connect left supply to Hot and right supply to Cold wall supply. Use adjustable wrench to tighten connections. Do not over tighten. FIG. 5
3. Faucet supplies measure 20" from the bottom of the ENCLOSURE (3) base.

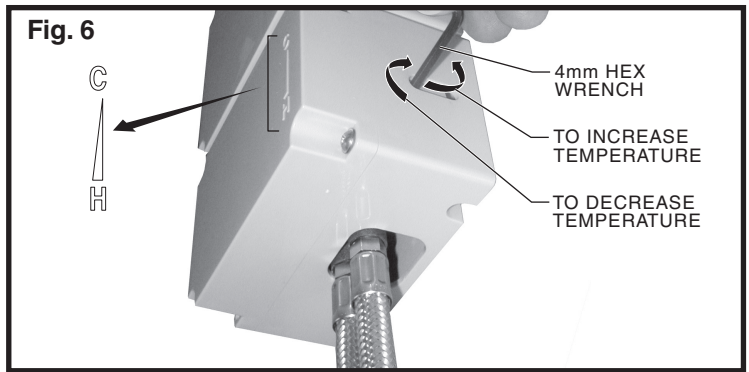
Note: If additional supply length is required, installer must purchase parts separately.
Important: If SUPPLY HOSES (1, 2) are too long, loop as to avoid kinking.



ADJUST TEMPERATURE

4 TO ADJUST TEMPERATURE; Fig. 6

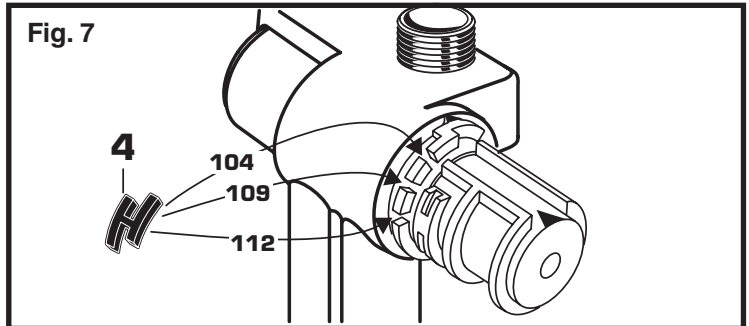
1. Adjust temperature by inserting a 4mm Hex Wrench into hex opening in the side of enclosure. Fig. 6.
2. To decrease temperature, rotate up. (clock-wise)
3. To increase temperature, rotate down. (counter-clockwise).



5 TEMPERATURE CALIBRATION; Fig. 7

1. The maximum mixed water temperature is set at 109°F at the factory. This setting can be changed if desired.
2. Remove the TEMPERATURE LIMIT STOP (4) (H shaped Black Plastic part). Reinstall it at the desired notch as indicated in the diagram to limit the maximum mixed water temperature to 104°F or 112°F.

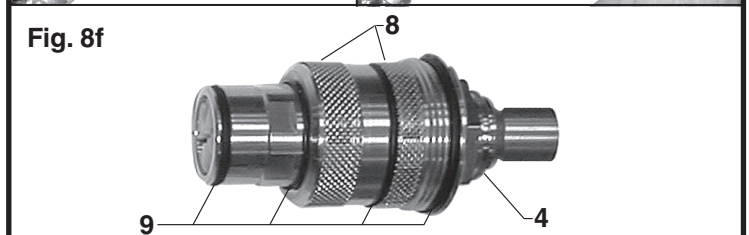
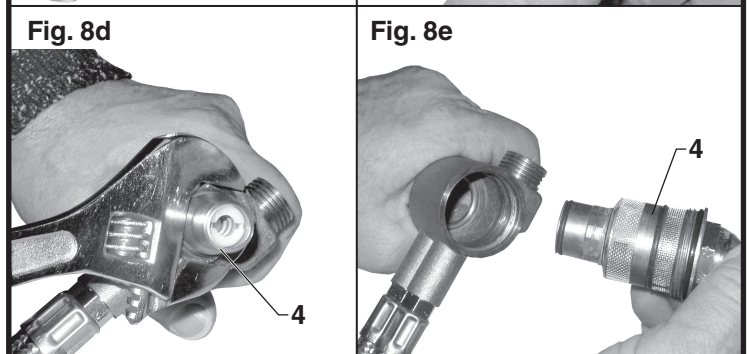
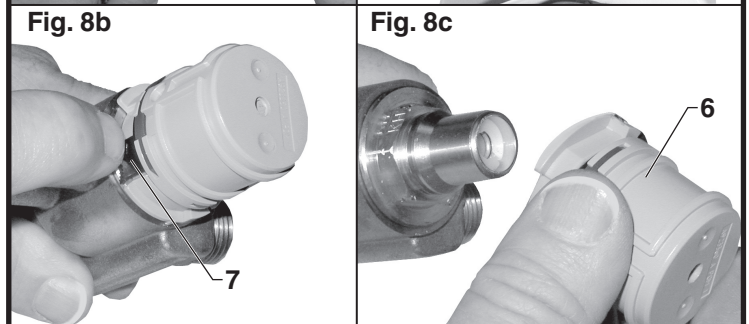
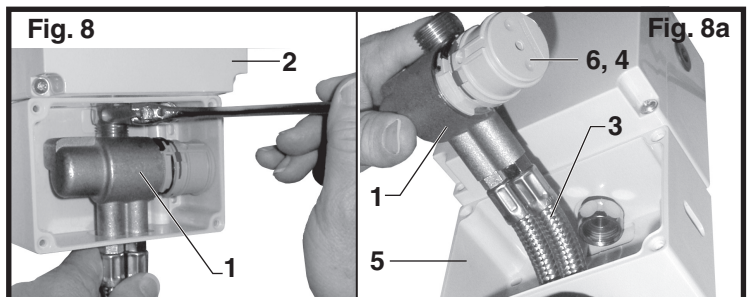
Note: Temperatures listed are approximate. Actual temperatures may vary depending on temperatures of Hot and Cold water supplies.



SERVICE

6 TO SERVICE CARTRIDGE; Fig; 8

1. Turn off water supply.
2. Remove MIXING VALVE ENCLOSURE COVER.
3. Disconnect MIXING VALVE (1) from SELECTRONIC ENCLOSURE (2). Fig. 8.
4. Pull MIXING VALVE (1) out from ENCLOSURE (5). If SUPPLY HOSES (3) are not long enough to gain access to TEMPERATURE CALIBRATION UNIT (6) & THERMOSTATIC CARTRIDGE (4) disconnect SUPPLY HOSES (3) from wall valves. Fig. 8a.
5. Rotate the BLACK CLAMP (7) with your finger and pull off the TEMPERATURE CALIBRATION UNIT (6). Fig 8b, 8c.
6. Use a adjustable wrench to unthread THERMOSTATIC CARTRIDGE (4) from housing. Fig. 8d.
7. Remove THERMOSTATIC CARTRIDGE (4). Fig. 8e.
8. Rinse clean any debris from SCREENS (8) and inspect O-RINGS (9) for damage. Replace O-RINGS (9) if any damage is found. Fig. 8f.
9. Reverse above steps and reassemble MIXING VALVE (1). Assemble MIXING VALVE (1) to SELECTRONIC ENCLOSURE (2).
10. Assembly ENCLOSURE COVER and tighten securley.



American Standard

M965327