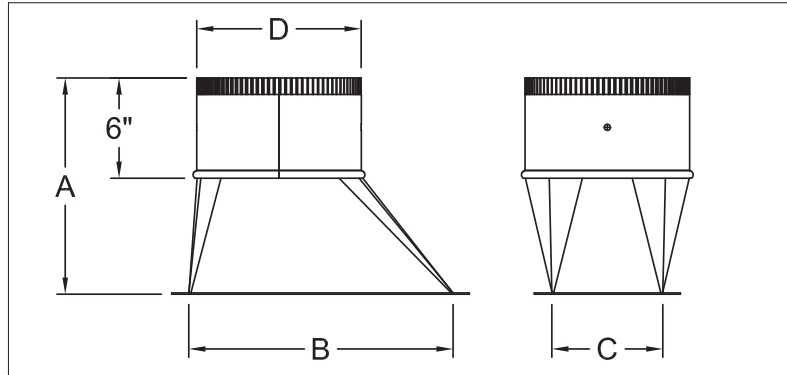
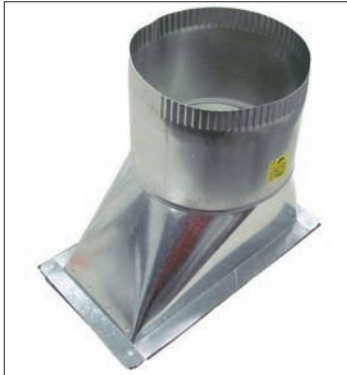


## Product Data Sheet



### Description

Elgen's HET (High Efficiency Take Off) without damper is used for low & medium pressure applications.

Elgen HET (High Efficiency Take Off) without damper can be used for high pressure application (up to 10" W.G.) as a low-leakage fitting due to its welded construction.

### Standard Construction

Collar - formed from 26 GA ASTM A-653 G60 material  
 Body - formed from 26 GA ASTM A-653 G60 material  
 1/8" x 1" Polyethylene "High Density" Gasket

D	B X C	A
4" Round	10"x 5"	11.75"
5" Round	10"x 5"	11.75"
6" Round	12"x 6"	11.75"
7" Round	12"x 6"	11.75"
8" Round	12"x 6"	11.75"
9" Round	15"x 6"	12.75"
10" Round	16"x 6.75"	12.75"
12" Round	18"x 8.5"	12.75"
14" Round	20"x 9.5"	12.75"
16" Round	22"x 14"	13.75"
18" Round	22"x 16"	13.75"
20" Round	24"x 18"	14"

B and C dimensions are "I.D." hole size dimensions  
 All dimensions +/- 0.25"

### Features

- Welded Seams For Added Strength
- Welded Seams Provide Low Leakage
- Pressure Rating – Designed Per SMACNA 3rd Edition 2005 Section 4.8 4-6 Brand Connections
- Many Damper Hardware Options
- Union Made Yellow Label

### Optional Construction

- All Volume Dampers for air control
- Insulation Guard
- Deep manual bead
- 24 GA Galvanized
- 20 GA Collar and 22 GA Boot
- G90 Galvanized
- Stainless Steel 304
- Stainless Steel 316
- Aluminum
- PCD
- Galvanneal (Paint Grip)
- Agion (Antimicrobial Coating)

### Packaging

Size	Skid Qty	Size	Skid Qty
4"	MTO	10"	72
5"	MTO	12"	54
6"	140	14"	48
7"	MTO	16"	30
8"	140	18"	MTO
9"	MTO	20"	MTO

### Guarantee

All Elgen products are guaranteed by Elgen Manufacturing against defective material.

### Elgen Manufacturing

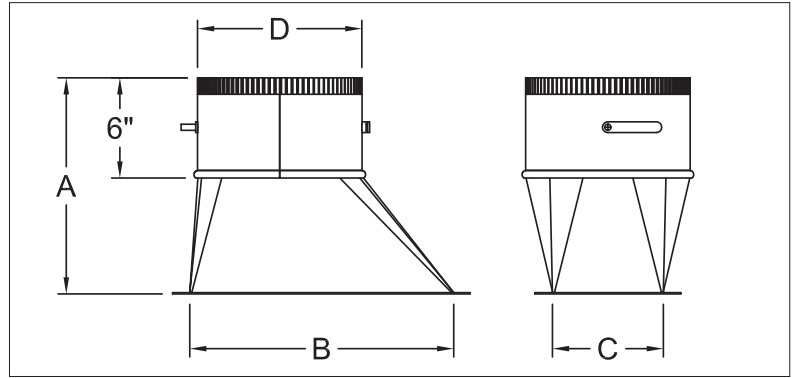
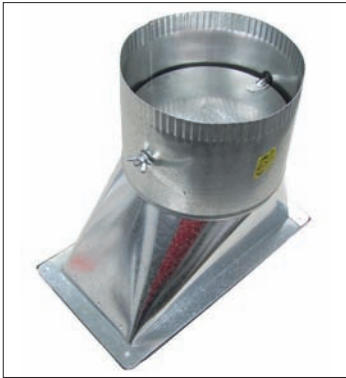
10 Railroad Ave, Closter NJ 07624  
 Tel: 800.503.9805 :: Fax: 201.964.9030  
 info@elgenmfg.com :: www.elgenmfg.com

# HET

with Volume Damper



## Product Data Sheet



### Description

Elgen's HET (High Efficiency Take Off) with damper is used for low & medium pressure applications. Elgen HET (High Efficiency Take Off) with damper can be used for high pressure application (up to 10" W.G.) as a low-leakage fitting due to its welded construction.

### Standard Construction

- Collar - formed from 26 GA ASTM A-653 G60 material
- Body - formed from 26 GA ASTM A-653 G60 material
- 1/8" x 1" Polyethylene "High Density" Gasket
- 26 GA Damper blade
- Steel Handle
- 5/16" Wing Nut
- Neoprene Washer
- Plastic insert with rubber ring

D	B X C	A
4" Round	10"x 5"	11.75"
5" Round	10"x 5"	11.75"
6" Round	12"x 6"	11.75"
7" Round	12"x 6"	11.75"
8" Round	12"x 6"	11.75"
9" Round	15"x 6"	12.75"
10" Round	16"x 6.75"	12.75"
12" Round	18"x 8.5"	12.75"
14" Round	20"x 9.5"	12.75"
16" Round	22"x 14"	13.75"
18" Round	22"x 16"	13.75"
20" Round	24"x 18"	14"

B and C dimensions are "I.D." hole size dimensions  
All dimensions +/- 0.25"

### Features

- Welded Seams For Added Strength
- Welded Seams Provide Low Leakage
- Pressure Rating – Designed Per SMACNA 3rd Edition 2005 Section 4.8 4-6 Brand Connections
- Many Damper Hardware Options
- Union Made Yellow Label

### Optional Construction

- Insulation Guard
- Deep manual bead
- 24 GA Galvanized
- 20 GA Collar and 22 GA Boot
- G90 Galvanized
- Stainless Steel 304
- Stainless Steel 316
- Aluminum
- PCD
- Galvanneal (Paint Grip)
- Agion (Antimicrobial Coating)

### Packaging

Size	Skid Qty	Size	Skid Qty
4"	MTO	10"	72
5"	MTO	12"	54
6"	140	14"	48
7"	MTO	16"	30
8"	140	18"	MTO
9"	MTO	20"	MTO

### Guarantee

All Elgen products are guaranteed by Elgen Manufacturing against defective material.

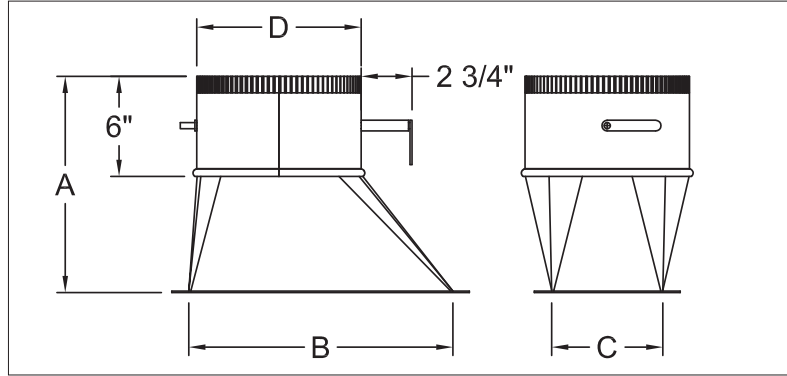
Elgen Manufacturing  
10 Railroad Ave, Closter NJ 07624  
Tel: 800.503.9805 :: Fax: 201.964.9030  
info@elgenmfg.com :: www.elgenmfg.com

# HET

with Volume Damper & Extension



## Product Data Sheet



### Description

Elgen's HET (High Efficiency Take Off) with damper & extension is used for low & medium pressure applications. Elgen HET (High Efficiency Take Off) without damper & extension can be used for high pressure application (up to 10" W.G.) as a low-leakage fitting due to its welded construction.

### Standard Construction

- Collar - formed from 26 GA ASTM A-653 G60 material
- Body - formed from 26 GA ASTM A-653 G60 material
- 1/8" x 1" Polyethylene "High Density" Gasket
- 26 GA Damper Blade
- Galvanized Steel 1 piece Shaft Extension
- Steel Handle
- 5/16" Wing Nut
- Neoprene Washer
- Plastic insert with rubber ring

D	B X C	A
4" Round	10"x 5"	11.75"
5" Round	10"x 5"	11.75"
6" Round	12"x 6"	11.75"
7" Round	12"x 6"	11.75"
8" Round	12"x 6"	11.75"
9" Round	15"x 6"	12.75"
10" Round	16"x 6.75"	12.75"
12" Round	18"x 8.5"	12.75"
14" Round	20"x 9.5"	12.75"
16" Round	22"x 14"	13.75"
18" Round	22"x 16"	13.75"
20" Round	24"x 18"	14"

B and C dimensions are "I.D." hole size dimensions  
All dimensions +/- 0.25"

### Features

- Welded Seams For Added Strength
- Welded Seams Provide Low Leakage
- Pressure Rating – Designed Per SMACNA 3rd Edition 2005
- Section 4.8 4-6 Brand Connections
- Many Damper Hardware Options
- Union Made Yellow Label

### Optional Construction

- Insulation Guard
- Deep manual bead
- 24 GA Galvanized
- 20 GA Collar and 22 GA Boot
- G90 Galvanized
- Stainless Steel 304
- Stainless Steel 316
- Aluminum
- PCD
- Galvanneal (Paint Grip)
- Agion (Antimicrobial Coating)

### Packaging

Size	Skid Qty	Size	Skid Qty
4"	MTO	10"	72
5"	MTO	12"	54
6"	140	14"	48
7"	MTO	16"	30
8"	140	18"	MTO
9"	MTO	20"	MTO

### Guarantee

All Elgen products are guaranteed by Elgen Manufacturing against defective material.

Elgen Manufacturing  
10 Railroad Ave, Closter NJ 07624  
Tel: 800.503.9805 :: Fax: 201.964.9030  
info@elgenmfg.com :: www.elgenmfg.com