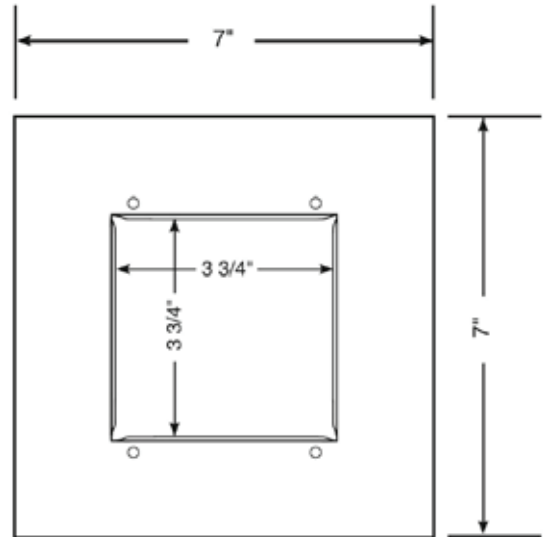
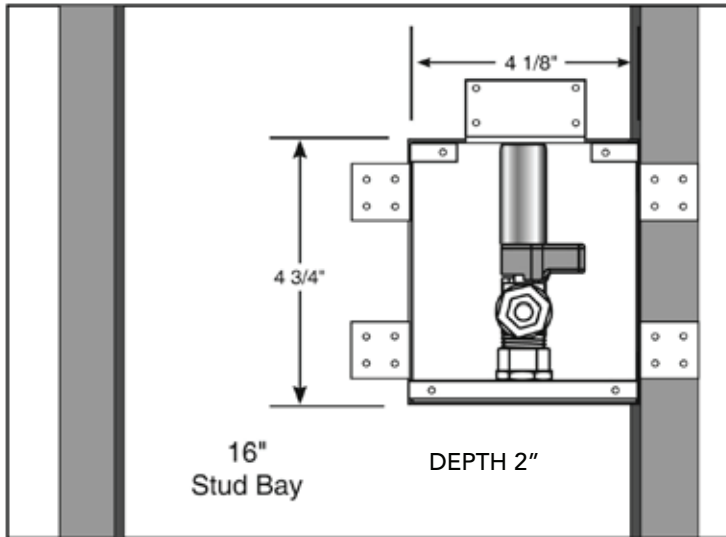


SPECIFICATION SUBMITTAL SHEET



METAL DISH WASHER OUTLET BOX



Specifications:

Furnish and install dishwasher outlet box. Unit shall have a lead free quarter-turn ball valve. Unit shall be Guy Gray product code checked below as manufactured by IPS Corporation.

Box Material:

White Powder Coat on Cold Rolled Steel Finish

Valve & Drain Options:

Lead free Qtr. Turn Arrester Valve kit with 1/2" MIP/Sweat, CPVC or Pex connection. Kit includes valves, locknuts and o-rings.

Item #	Product Description	Model #	Quantity
87939	3/8" Outlet, Lead Free Qtr Turn Arrester Valve, 1/2" Sweat Connection	MDWB1AB	5
87940	3/8" Outlet, Lead Free Qtr Turn Arrester Valve, 1/2" CPVC Connection	MDWB2AB	5
87941	3/8" Outlet, Lead Free Qtr Turn Arrester Valve, 1/2" Pex Connection	MDWB3AB	5

