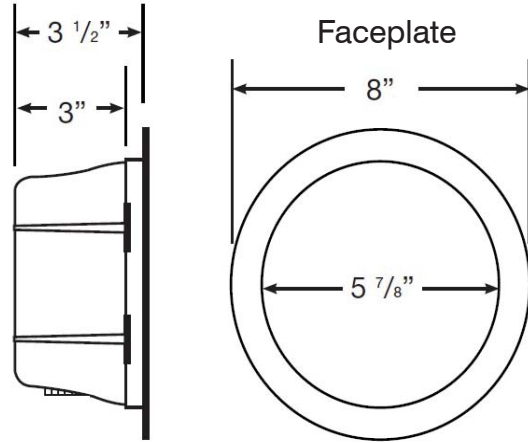
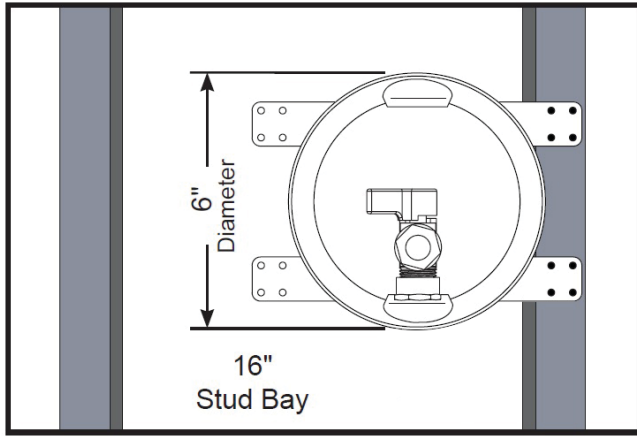


SPECIFICATION SUBMITTAL SHEET

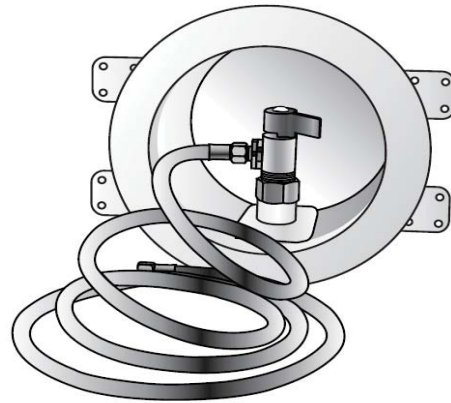


ROUND ICE MAKER OUTLET BOXES with 72" Lead Free Stainless Steel Hose



Specifications:

Furnish and install round ice maker outlet box with lead free, quarter turn valve and 72" pre-installed lead free stainless steel braided hose. Unit shall be Water-Tite product code as manufactured by



Item #	Product Description	Model #	Quantity
88480	Round IMOB w/Sweat Conx. & Lead Free S.S. Hose	AB9800	10
88482	Round IMOB w/CPVC Conx. & Lead Free S.S. Hose	AB9801	10
88484	Round IMOB w/PEX Conx. & Lead Free S.S. Hose	AB9802	10
88486	Round IMOB w/Wirsbo® Conx. & Lead Free S.S. Hose	AB9811	10
88068	Round IMOB less valve and S.S. Hose	W9800 LV	10
Contractor Pack			
88481	Round IMOB w/Sweat Conx. & Lead Free S.S. Hose - Cont. Pack	AB9800 CP	20
88483	Round IMOB w/CPVC Conx. & Lead Free S.S. Hose - Cont. Pack	AB9801 CP	20
88485	Round IMOB w/PEX Conx. & Lead Free S.S. Hose - Cont. Pack	AB9802 CP	20
88487	Round IMOB w/Wirsbo® Conx. & Lead Free S.S. Hose - Cont. Pack	AB9811 CP	20

