

SPIRAL PIPE AND FITTINGS



ECCO™ is proud to be a member of:



SMACNA
Sheet Metal and Air
Conditioning Contractors'
National Association
www.smacna.org



HRAI
Heating, Refrigeration and
Air Conditioning
Institute of Canada
www.hrai.ca



HARDI
Heating, Air-conditioning
& Refrigeration
Distributors International
www.hardinet.org



ADI
Air
Distribution
Institute
www.steelduct.org



AD
Affiliated Distributors™
www.adhq.com



CME
Canadian
Manufacturers &
Exporters
www.cme-mec.ca



SPIDA
Spiral Duct
Manufacturers
Association
www.spida.org



SPIRAL PIPE AND FITTINGS

INDEX

ALUMINUM PIPE GAUGE SCHEDULE.....	D1-4	SPIRAL PIPE — GALVANIZED (<i>cont'd</i>)	
FITTINGS		PLAIN	
ACCESSORIES.....	D1-22 – D1-23	18 GAUGE.....	D1-10
COUPLINGS.....	D1-12	20 GAUGE.....	D1-10
CROSSES.....	D1-20	22 GAUGE.....	D1-9
ELBOWS.....	D1-14 – D1-15	24 GAUGE.....	D1-9
ECCO SPIRAL ELBOW™.....	D1-13	26 GAUGE.....	D1-8
HANGERS.....	D1-11	28 GAUGE.....	D1-8
HALF ROUND.....	D1-12	PRODUCT DATA.....	D1-3
LATERAL CROSSES.....	D1-17	PROFILE SELECTION.....	D1-3
LATERALS.....	D1-16	SPIRAL PIPE — PERFORATED.....	D1-11
TEES.....	D1-18 – D1-19	SPIRAL PIPE CUSTOM ELBOWS.....	D1-24
WYE REDUCERS.....	D1-21		
SPIRAL PIPE — GALVANIZED			
2-LC			
18 GAUGE.....	D1-7		
20 GAUGE.....	D1-7		
22 GAUGE.....	D1-6		
24 GAUGE.....	D1-6		
26 GAUGE.....	D1-5		
28 GAUGE.....	D1-5		
GAUGE CHART.....	D1-3		
GAUGE CHART — NOMINAL THICKNESS.....	D1-5		
GAUGE SELECTION.....	D1-4		
INFORMATION.....	D1-5		

NOTE: PLEASE CONTACT ECCO MANUFACTURING™ FOR EXACT STRETCH OUT BEFORE ASSEMBLY.

LEGEND

NOTE: The boxed columns throughout the tables are intended to provide a quick determination of ordering dimensions.

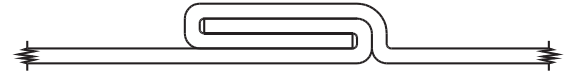
ABBREVIATIONS: CTN/QTY = Carton Quantity
 WT/100 = Weight per 100 Pieces
 WT LBS/FT = Weight Per Foot
 WT LBS/EA = Weight Each



SPIRAL PIPE AND FITTINGS

SPIRAL PIPE PRODUCT DATA

ECCO Spiral Pipe combines the economy of light gauge materials with a spirally formed lockseam construction that provides maximum strength and rigidity. Modern methods of production permits fabrication of long lengths of pipe in 1" through 96" diameters. There is no limit to the length that can be manufactured. Limitations only applicable to transportation restrictions.



FEATURES:

- Airtight 4-ply lockseam
- Low friction loss
- Light weight
- Long lengths

BASE MATERIALS:

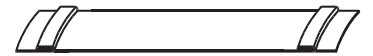
- Aluminum
- Cold rolled steel
- Galvanized steel
- Perforated steel
- Polyvinyl chloride (PVC) coated steel
- Pre-painted steel
- Stainless steel
- Wiped coat (Galvannealed)

SPIRAL PIPE PROFILE SELECTION

Type 2-LC — Two light reinforcing corrugations for added strength. Will not develop excessive pressure losses at low velocities. Specify at placement of order: Type 2-LC.



Type P — Smooth, high strength pipe with low friction loss. Specify at placement or order: Type P.



Type C — Deep reinforcing corrugation for extra strength allows usage of lighter gauge materials. Will not develop excessive pressure losses at low velocities. Specify at placement of order: Type C.



GALVANIZED SPIRAL PIPE FITTINGS

ECCO Spiral Pipe Fittings are produced from galvanized steel meeting SMACNA HVAC Pipe Construction standards.

When Ordering:

- Specify type and list all dimensions.
- Describe any variations from standard.
- Standard end connection shall be 2" in length and is considered to be the sleeve for slip joint assembly of spiral pipe to fittings.

GALVANIZED SPIRAL PIPE FITTINGS GAUGE CHART

Pipe Diameter (")	Gauge Size for 10" Positive Pressure
4 – 15	28
16 – 19	26
20 – 29	24
30 – 47	22
48 – 60	20
61 – 90	18

– E.&O.E. – Subject to Change Without Notice – May Not Be Available At All Locations –



SPIRAL PIPE AND FITTINGS

SPIRAL PIPE GAUGE SELECTION

- Fittings shall be of wall thickness not less than that specified for longitudinal seam pipe.
- For Stainless Steel or Polyvinyl Chloride Coated Steel, use the Galvanized Spiral Pipe Gauge Selection below.

GALVANIZED SPIRAL PIPE UNREINFORCED

POSITIVE PRESSURE TO 10" W.G.		
Maximum Diameter (in)	Longitudinal Seam	Spiral Seam
4	28	28
6	28	28
8	28	28
10	28	28
12	28	28
14	28	28
15	28	28
16	26	26
18	26	26
20	24	26
22	24	26
24	24	26
26	24	26
28	24	26
30	22	24
36	22	24
42	22	24
48	20	22
54	20	22
60	20	22
66	18	22
72	18	20
78	18	20
84	18	20
90	18	20
96	18	20

NEGATIVE PRESSURE								
Maximum Diameter (in)	-2" W.G.		-4" W.G.		-6" W.G.		-10" W.G.	
	Spiral Seam	Long. Seam	Spiral Seam	Long. Seam	Spiral Seam	Long. Seam	Spiral Seam	Long. Seam
4	28	28	28	28	28	28	28	28
6	28	28	28	28	28	28	28	28
8	28	28	28	28	28	26	26	24
10	28	28	28	26	26	24	26	24
12	28	26	26	24	24	24	24	22
14	28	24	24	22	24	22	22	20
16	26	24	24	22	22	20	22	18
18	24	22	22	20	22	20	20	18
20	24	22	22	20	20	18	18	18
22	22	22	20	18	20	18	18	16
24	22	20	20	18	18	18	18	16
30	20	18	18	16	18	16	16	N/A
36	18	16	16	N/A	16	N/A	N/A	N/A
42	18	16	16	N/A	N/A	N/A	N/A	N/A
48	16	N/A	N/A	N/A	N/A	N/A	N/A	N/A
54	16	N/A	N/A	N/A	N/A	N/A	N/A	N/A
60	N/A	N/A	N/A	N/A	N/A	N/A	N/A	N/A
66	N/A	N/A	N/A	N/A	N/A	N/A	N/A	N/A
72	N/A	N/A	N/A	N/A	N/A	N/A	N/A	N/A
78	N/A	N/A	N/A	N/A	N/A	N/A	N/A	N/A
84	N/A	N/A	N/A	N/A	N/A	N/A	N/A	N/A
90	N/A	N/A	N/A	N/A	N/A	N/A	N/A	N/A

REFERENCE: HVAC Duct Construction Standards Metal and Flexible — Third Edition.

ALUMINUM PIPE GAUGE SCHEDULE

Pipe Diameter (In.)	Maximum 2" W.G. Static Positive		Maximum 2" W.G. Static Negative	
	Spiral Seam	Long. Seam	Spiral Seam	Long. Seam
3 thru 8	.025"	.032"	.025"	.040"
9 thru 14	.025"	.032"	.032"	.040"
15 thru 26	.032"	.040"	.040"	.050"
27 thru 36	.040"	.050"	.050"	.063"
37 thru 50	.050"	.063"	.063"	.071"
51 thru 60	.063"	.071"	N/A	.090"
61 thru 84	N/A	.090"	N/A	N/A

NOTES: Construction of aluminum pipe and fittings shall otherwise correspond in the same relationship as for steel duct.

N/A means not readily available or not assigned.

Reference: SMACNA HVAC Pipe Construction Standards.

– E.&O.E. – Subject to Change Without Notice – May Not Be Available At All Locations –



SPIRAL PIPE AND FITTINGS

SPIRAL PIPE GAUGE CHART — NOMINAL THICKNESS

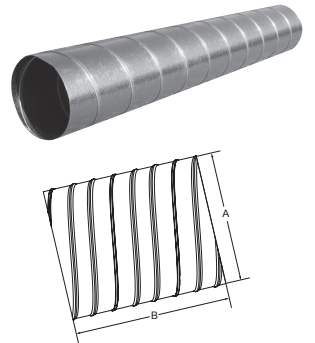
GAUGE	GALVANIZED STEEL (")	ALUMINUM (")	STAINLESS STEEL (")
28	.0187	.0126	.0156
26	.0217	.0159	.0187
24	.0276	.0201	.0250
22	.0336	.0253	.0312
20	.0396	.0319	.0375
18	.0516	.0403	.0500
16	.0635	.0508	.0625
14	.0785	.0640	.0781
13	.0934	.0719	.0937
12	.1084	.0808	.1093
11	.1233	.0907	.1250
10	.1382	.1019	.1406

SPIRAL PIPE INFORMATION

All the sizes in this catalog are based on Type P and Type 2-LC profiles. The Type 2-LC profile has two light reinforcing corrugations for added strength. Standard Spiral Pipe lengths are 120"; custom lengths available.

GALVANIZED SPIRAL PIPE — 28 GAUGE — 2-LC

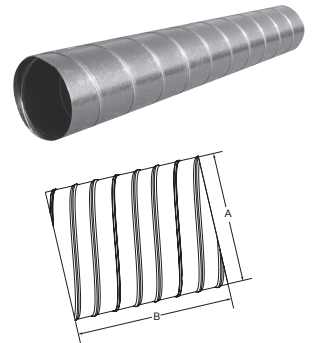
ITEM #	A (") DIAMETER	B (")	WT LBS/FT	Y/L ITEM #	ITEM #	A (") DIAMETER	B (")	WT LBS/FT	Y/L ITEM #
410428	4	120	0.88	400428	411028	10	120	2.21	401028
410528	5	120	1.10	400528	411128	11	120	2.43	401128
410628	6	120	1.32	400628	411228	12	120	2.65	401228
410728	7	120	1.55	400728	411328	13	120	2.87	401328
410828	8	120	1.77	400828	411428	14	120	3.10	401428
410928	9	120	1.99	400928	411528	15	120	3.31	401528



NOTE: Diameters in **Bold** indicate SMACNA recommended gauges to 10" W.G. Static Positive.

GALVANIZED SPIRAL PIPE — 26 GAUGE — 2-LC

ITEM #	A (") DIAMETER	B (")	WT LBS/FT	Y/L ITEM #	ITEM #	A (") DIAMETER	B (")	WT LBS/FT	Y/L ITEM #
410426	4	120	1.02	400426	411626	16	120	4.11	401626
410526	5	120	1.28	400526	411726	17	120	4.38	401726
410626	6	120	1.54	400626	411826	18	120	4.63	401826
410726	7	120	1.79	400726	411926	19	120	4.87	401926
410826	8	120	2.05	400826	412026	20	120	5.15	402026
410926	9	120	2.31	400926	412126	21	120	5.38	402126
411026	10	120	2.59	401026	412226	22	120	5.65	402226
411126	11	120	2.83	401126	412326	23	120	5.90	402326
411226	12	120	3.08	401226	412426	24	120	6.16	402426
411326	13	120	3.35	401326	412626	26	120	6.67	402626
411426	14	120	3.59	401426	412826	28	120	7.47	402826
411526	15	120	3.86	401526					

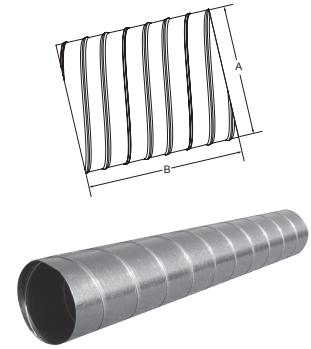


NOTE: Diameters in **Bold** indicate SMACNA recommended gauges to 10" W.G. Static Positive.

– E.&O.E. – Subject to Change Without Notice – May Not Be Available At All Locations –

GALVANIZED SPIRAL PIPE — 24 GAUGE — 2-LC

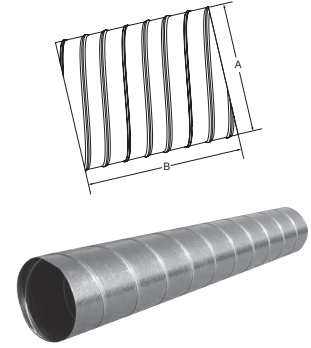
ITEM #	A (") DIAMETER	B (")	WT LBS/FT	Y/L ITEM #	ITEM #	A (") DIAMETER	B (")	WT LBS/FT	Y/L ITEM #
410424	4	120	1.35	400424	412124	21	120	7.12	402124
410524	5	120	1.69	400524	412224	22	120	7.46	402224
410624	6	120	2.03	400624	412324	23	120	7.80	402324
410724	7	120	2.37	400724	412424	24	120	8.14	402424
410824	8	120	2.71	400824	412624	26	120	8.82	402624
410924	9	120	3.05	400924	412824	28	120	9.50	402824
411024	10	120	3.39	401024	413024	30	120	10.18	403024
411124	11	120	3.73	401124	413224	32	120	10.84	403224
411224	12	120	4.07	401224	413424	34	120	11.53	403424
411424	14	120	4.74	401424	413624	36	120	12.20	403624
411524	15	120	5.09	401524	413824	38	120	12.88	403824
411624	16	120	5.42	401624	414024	40	120	13.56	404024
411724	17	120	5.77	401724	414224	42	120	14.23	404224
411824	18	120	6.10	401824	414424	44	120	14.94	404424
411924	19	120	6.44	401924	404624	46	120	15.59	404624
412024	20	120	6.78	402024					



NOTE: Diameters in **Bold** indicate SMACNA recommended gauges to 10" W.G. Static Positive.

GALVANIZED SPIRAL PIPE — 22 GAUGE — 2-LC

ITEM #	A (") DIAMETER	B (")	WT LBS/FT	Y/L ITEM #	ITEM #	A (") DIAMETER	B (")	WT LBS/FT	Y/L ITEM #
410422	4	120	1.64	400422	413622	36	120	14.87	403622
410522	5	120	2.06	400522	413822	38	120	15.69	403822
410622	6	120	2.47	400622	414022	40	120	16.50	404022
410722	7	120	2.88	400722	414222	42	120	17.32	404222
410822	8	120	3.29	400822	414422	44	120	18.18	404422
410922	9	120	3.71	400922	414622	46	120	18.97	404622
411022	10	120	4.12	401022	414822	48	120	19.82	404822
411122	11	120	4.52	401122	415022	50	120	20.64	405022
411222	12	120	4.95	401222	415222	52	120	21.46	405222
411422	14	120	5.77	401422	415422	54	120	22.28	405422
411622	16	120	6.60	401622	415622	56	120	23.10	405622
411822	18	120	7.43	401822	415822	58	120	23.92	405822
412022	20	120	8.25	402022	416022	60	120	24.74	406022
41222	22	120	9.08	402222	416222	62	120	25.56	406222
412422	24	120	9.91	402422	416422	64	120	26.38	406422
412622	26	120	10.73	402622	416622	66	120	27.20	406622
412822	28	120	11.56	402822	416822	68	120	28.02	406822
413022	30	120	12.38	403022	417022	70	120	28.44	407022
413222	32	120	13.21	403222					
413422	34	120	14.03	403422					



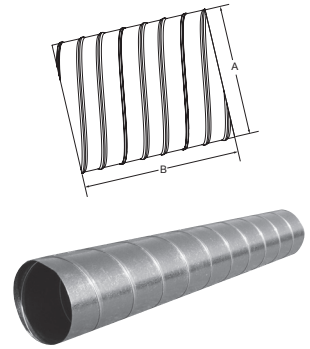
NOTE: Diameters in **Bold** indicate SMACNA recommended gauges to 10" W.G. Static Positive.



SPIRAL PIPE AND FITTINGS

GALVANIZED SPIRAL PIPE — 20 GAUGE — 2-LC

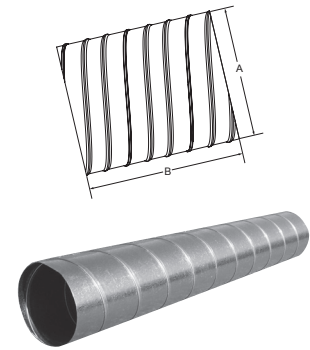
ITEM #	A (") DIAMETER	B (")	WT LBS/FT	Y/L ITEM #	ITEM #	A (") DIAMETER	B (")	WT LBS/FT	Y/L ITEM #
410420	4	120	1.94	400420	413620	36	120	17.53	403620
410520	5	120	2.42	400520	413820	38	120	18.51	403820
410620	6	120	2.91	400620	414020	40	120	19.48	404020
410720	7	120	3.40	400720	414220	42	120	20.46	404220
410820	8	120	3.86	400820	414420	44	120	21.42	404420
410920	9	120	4.37	400920	414620	46	120	22.41	404620
411020	10	120	4.86	401020	414820	48	120	23.36	404820
411120	11	120	5.35	401120	415020	50	120	24.37	405020
411220	12	120	5.83	401220	415220	52	120	25.34	405220
411420	14	120	6.81	401420	415420	54	120	26.32	405420
411620	16	120	7.78	401620	415620	56	120	27.28	405620
411820	18	120	8.76	401820	415820	58	120	28.27	405820
412020	20	120	9.73	402020	416020	60	120	29.25	406020
412220	22	120	10.71	402220	416220	62	120	30.22	406220
412420	24	120	11.68	402420	416420	64	120	31.20	406420
412620	26	120	12.66	402620	416620	66	120	32.17	406620
412820	28	120	13.63	402820	416820	68	120	33.15	406820
413020	30	120	14.60	403020	417020	70	120	34.13	407020
413220	32	120	15.58	403220	417220	72	120	35.10	407220
413420	34	120	16.56	403420					



NOTE: Diameter/s in **Bold** indicate SMACNA recommended gauges to 10" W.G. Static Positive.

GALVANIZED SPIRAL PIPE — 18 GAUGE — 2-LC

ITEM #	A (") DIAMETER	B (")	WT LBS/FT	Y/L ITEM #	ITEM #	A (") DIAMETER	B (")	WT LBS/FT	Y/L ITEM #
410418	4	120	2.64	400418	413618	36	120	23.72	403618
410518	5	120	3.30	400518	413818	38	120	25.04	403818
410618	6	120	3.95	400618	414018	40	120	26.36	404018
410718	7	120	4.61	400718	414218	42	120	27.68	404218
410818	8	120	5.27	400818	414418	44	120	29.00	404418
410918	9	120	5.93	400918	414618	46	120	30.31	404618
411018	10	120	6.59	401018	414818	48	120	31.63	404818
411118	11	120	7.25	401118	415018	50	120	32.95	405018
411218	12	120	7.91	401218	415218	52	120	34.27	405218
411418	14	120	9.23	401418	415418	54	120	35.59	405418
411618	16	120	10.54	401618	415618	56	120	36.90	405618
411818	18	120	11.86	401818	415818	58	120	38.22	405818
412018	20	120	13.18	402018	416018	60	120	39.54	406018
412218	22	120	14.50	402218	416218	62	120	40.86	406218
412418	24	120	15.82	402418	416418	64	120	42.18	406418
412618	26	120	17.13	402618	416618	66	120	43.49	406618
412818	28	120	18.45	402818	416818	68	120	44.81	406818
413018	30	120	19.77	403018	417018	70	120	46.13	407018
413218	32	120	21.09	403218	417218	72	120	47.45	407218
413418	34	120	22.41	403418					



NOTE: All 18 Gauge Galvanized Spiral Pipe on this page exceeds the SMACNA minimum recommended gauge for 10" W.G. Static Positive.

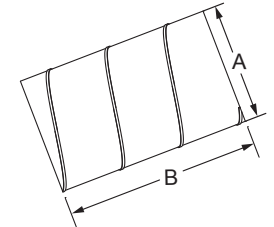
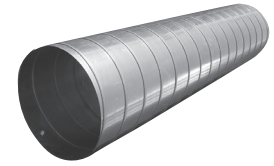
- E.&O.E. - Subject to Change Without Notice - May Not Be Available At All Locations -



SPIRAL PIPE AND FITTINGS

GALVANIZED SPIRAL PIPE — 28 GAUGE — PLAIN

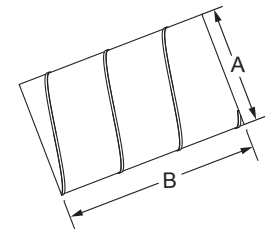
ITEM #	A (") DIAMETER	B (")	WT LBS/FT	Y/L ITEM #	ITEM #	A (") DIAMETER	B (")	WT LBS/FT	Y/L ITEM #
410327	3	120	.66	400327	411127	11	120	2.43	401127
410427	4	120	.88	400427	411227	12	120	2.65	401227
410527	5	120	1.10	400527	411327	13	120	2.87	401327
410627	6	120	1.32	400627	411427	14	120	3.10	401427
410727	7	120	1.55	400727	411527	15	120	3.31	401527
410827	8	120	1.77	400827					
410927	9	120	1.99	400927					
411027	10	120	2.21	401027					



NOTE: Diameters in **Bold** indicate SMACNA recommended gauges to 10" W.G. Static Positive.

GALVANIZED SPIRAL PIPE — 26 GAUGE — PLAIN

ITEM #	A (") DIAMETER	B (")	WT LBS/FT	Y/L ITEM #	ITEM #	A (") DIAMETER	B (")	WT LBS/FT	Y/L ITEM #
410325	3	120	.76	—	411525	15	120	3.86	401525
410425	4	120	1.02	400425	411625	16	120	4.11	401625
410525	5	120	1.28	400525	411725	17	120	4.38	401725
410625	6	120	1.54	400625	411825	18	120	4.63	401825
410725	7	120	1.79	400725	411925	19	120	4.87	401925
410825	8	120	2.05	400825	412025	20	120	5.15	402025
410925	9	120	2.31	400925	412125	21	120	5.38	402125
411025	10	120	2.59	401025	412225	22	120	5.65	402225
411125	11	120	2.83	401125	412325	23	120	5.90	402325
411225	12	120	3.08	401225	412425	24	120	6.16	402425
411325	13	120	3.35	401325	412625	26	120	6.67	402625
411425	14	120	3.59	401425	412825	28	120	7.47	402825

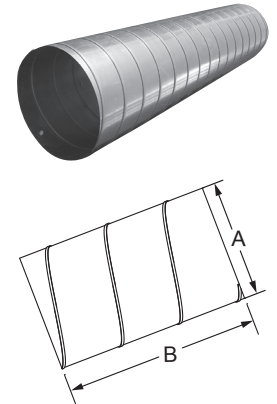


NOTE: Diameters in **Bold** indicate SMACNA recommended gauges to 10" W.G. Static Positive.

– E.&O.E. – Subject to Change Without Notice – May Not Be Available At All Locations –

GALVANIZED SPIRAL PIPE — 24 GAUGE — PLAIN

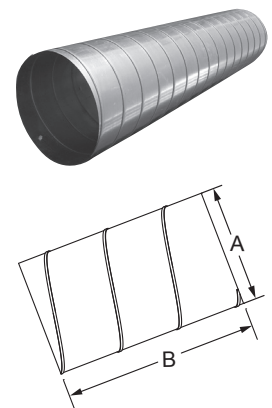
ITEM #	A (") DIAMETER	B (")	WT LBS/FT	Y/L ITEM #	ITEM #	A (") DIAMETER	B (")	WT LBS/FT	Y/L ITEM #
410323	3	120	1.01	—	412123	21	120	7.12	402123
410423	4	120	1.35	400423	412223	22	120	7.46	402223
410523	5	120	1.69	400523	412323	23	120	7.80	402323
410623	6	120	2.03	400623	412423	24	120	8.14	402423
410723	7	120	2.37	400723	412623	26	120	8.82	402623
410823	8	120	2.71	400823	412823	28	120	9.50	402823
410923	9	120	3.05	400923	413023	30	120	10.18	403023
411023	10	120	3.39	401023	413223	32	120	10.84	403223
411123	11	120	3.73	401123	413423	34	120	11.53	403423
411223	12	120	4.07	401223	413623	36	120	12.20	403623
411323	13	120	4.41	401323	413823	38	120	12.88	403823
411423	14	120	4.74	401423	414023	40	120	13.56	404023
411523	15	120	5.09	401523	414223	42	120	14.23	404223
411623	16	120	5.42	401623	414423	44	120	14.94	404423
411723	17	120	5.77	401723	414623	46	120	15.59	404623
411823	18	120	6.10	401823					
411923	19	120	6.44	401923					
412023	20	120	6.78	402023					



NOTE: Diameters in **Bold** indicate SMACNA recommended gauges to 10" W.G. Static Positive.

GALVANIZED SPIRAL PIPE — 22 GAUGE — PLAIN

ITEM #	A (") DIAMETER	B (")	WT LBS/FT	Y/L ITEM #	ITEM #	A (") DIAMETER	B (")	WT LBS/FT	Y/L ITEM #
410321	3	120	1.23	—	413021	30	120	12.38	403021
410421	4	120	1.64	400421	413221	32	120	13.21	403221
410521	5	120	2.06	400521	413421	34	120	14.03	403421
410621	6	120	2.47	400621	413621	36	120	14.87	403621
410721	7	120	2.88	400721	413821	38	120	15.69	403821
410821	8	120	3.29	400821	414021	40	120	16.50	404021
410921	9	120	3.71	400921	414221	42	120	17.32	404221
411021	10	120	4.12	401021	414421	44	120	18.18	404421
411121	11	120	4.52	401121	414621	46	120	18.97	404621
411221	12	120	4.95	401221	414821	48	120	19.82	404821
411321	13	120	5.34	401321	415021	50	120	20.60	405021
411421	14	120	5.77	401421	415221	52	120	21.46	405221
411521	15	120	6.18	401521	415421	54	120	22.28	405421
411621	16	120	6.60	401621	415621	56	120	23.10	405621
411721	17	120	7.01	401721	415821	58	120	23.92	405821
411821	18	120	7.43	401821	416021	60	120	24.74	406021
411921	19	120	7.84	401921	416221	62	120	25.56	406221
412021	20	120	8.25	402021	416421	64	120	26.38	406421
412121	21	120	8.67	402121	416621	66	120	27.20	406621
412221	22	120	9.08	402221	416821	68	120	28.12	406821
412321	23	120	9.50	402321	417021	70	120	28.96	407021
412421	24	120	9.91	402421					
412621	26	120	10.73	402621					
412821	28	120	11.56	402821					



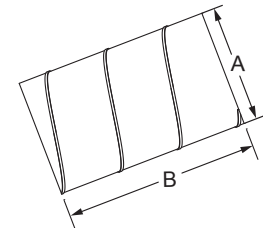
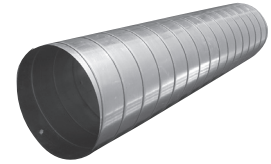
NOTE: Diameters in **Bold** indicate SMACNA recommended gauges to 10" W.G. Static Positive.



SPIRAL PIPE AND FITTINGS

GALVANIZED SPIRAL PIPE — 20 GAUGE — PLAIN

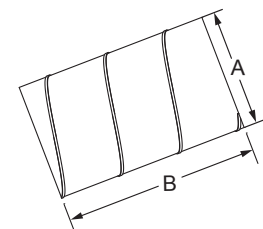
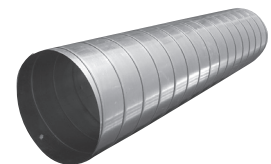
ITEM #	A (") DIAMETER	B (")	WT LBS/FT	Y/L ITEM #	ITEM #	A (") DIAMETER	B (")	WT LBS/FT	Y/L ITEM #
410319	3	120	1.46	—	413019	30	120	14.60	403019
410419	4	120	1.94	400419	413219	32	120	15.58	403219
410519	5	120	2.42	400519	413419	34	120	16.56	403419
410619	6	120	2.91	400619	413619	36	120	17.53	403619
410719	7	120	3.40	400719	413819	38	120	18.51	403819
410819	8	120	3.86	400819	414019	40	120	19.48	404019
410919	9	120	4.37	400919	414219	42	120	20.46	404219
411019	10	120	4.86	401019	414419	44	120	21.42	404419
411119	11	120	5.35	401119	414619	46	120	22.41	404619
411219	12	120	5.83	401219	414819	48	120	23.36	404819
411319	13	120	6.33	401319	415019	50	120	24.37	405019
411419	14	120	6.81	401419	415219	52	120	25.34	405219
411519	15	120	7.30	401519	415419	54	120	26.32	405419
411619	16	120	7.78	401619	415619	56	120	27.28	405619
411719	17	120	8.28	401719	415819	58	120	28.27	405819
411819	18	120	8.76	401819	416019	60	120	29.25	406019
411919	19	120	9.24	401919	416219	62	120	30.22	406219
412019	20	120	9.73	402019	416419	64	120	31.20	406419
412119	21	120	10.22	402119	416619	66	120	32.17	406619
412219	22	120	10.71	402219	416819	68	120	33.15	406819
412319	23	120	11.19	402319	417019	70	120	34.13	407019
412419	24	120	11.68	402419	417219	72	120	35.10	407219
412619	26	120	12.66	402619					
412819	28	120	13.63	402819					



NOTE: Diameter/s in **Bold** indicate SMACNA recommended gauges to 10" W.G. Static Positive.

GALVANIZED SPIRAL PIPE — 18 GAUGE — PLAIN

ITEM #	A (") DIAMETER	B (")	WT LBS/FT	Y/L ITEM #	ITEM #	A (") DIAMETER	B (")	WT LBS/FT	Y/L ITEM #
410317	3	120	1.98	—	413017	30	120	19.77	403017
410417	4	120	2.64	400417	413217	32	120	21.09	403217
410517	5	120	3.30	400517	413417	34	120	22.41	403417
410617	6	120	3.95	400617	413617	36	120	23.72	403617
410717	7	120	4.61	400717	413817	38	120	25.04	403817
410817	8	120	5.27	400817	414017	40	120	26.36	404017
410917	9	120	5.93	400917	414217	42	120	27.68	404217
411017	10	120	6.59	401017	414417	44	120	29.40	404417
411117	11	120	7.25	401117	414617	46	120	30.31	404617
411217	12	120	7.91	401217	414817	48	120	31.63	404817
411317	13	120	8.57	401317	415017	50	120	32.95	405017
411417	14	120	9.23	401417	415217	52	120	34.27	405217
411517	15	120	9.89	401517	415417	54	120	35.59	405417
411617	16	120	10.54	401617	415617	56	120	36.90	405617
411717	17	120	11.20	401717	415817	58	120	38.22	405817
411817	18	120	11.86	401817	416017	60	120	39.54	406017
411917	19	120	12.52	401917	416217	62	120	40.86	406217
412017	20	120	13.18	402017	416417	64	120	42.18	406417
412117	21	120	13.84	402117	416617	66	120	43.49	406617
412217	22	120	14.50	402217	416817	68	120	44.81	406817
412317	23	120	15.16	402317	417017	70	120	46.13	407017
412417	24	120	15.82	402417	417217	72	120	47.45	407217
412617	26	120	17.13	402617					
412817	28	120	18.45	402817					

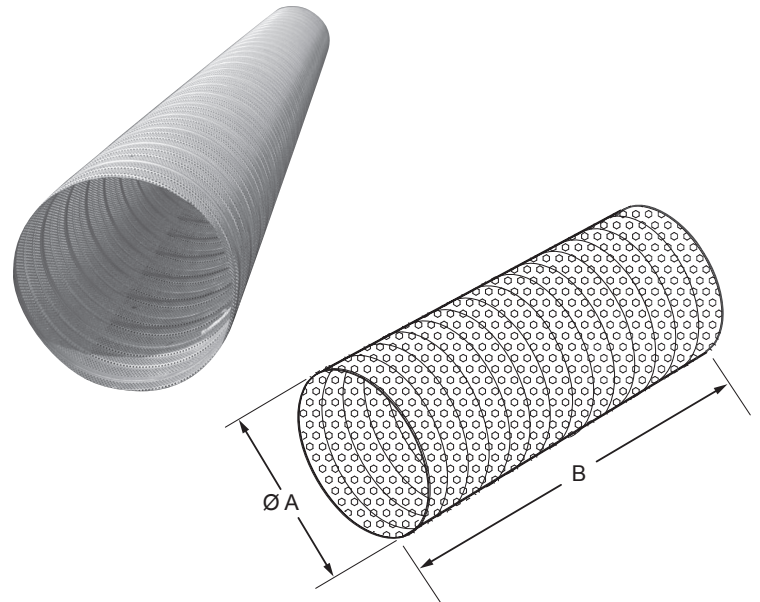


NOTE: All 18 Gauge Galvanized Spiral Pipe on this page exceeds the SMACNA minimum recommended gauge for 10" W.G. Static Positive.

— E.&O.E. — Subject to Change Without Notice — May Not Be Available At All Locations —

PERFORATED SPIRAL PIPE

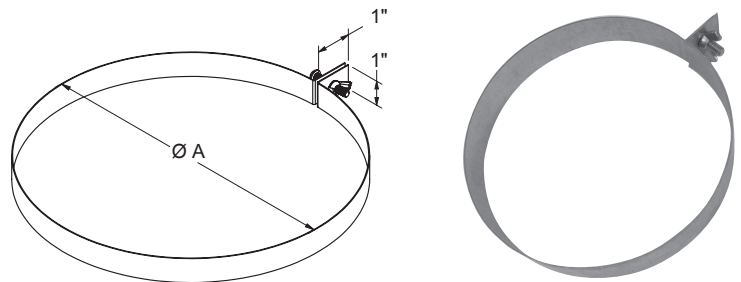
ITEM #	A (")	B (")	GAUGE TO SMACNA STANDARD	WT LBS/FT
420322	3	120	22	.94
420422	4	120	22	1.25
420522	5	120	22	1.56
420622	6	120	22	1.88
420722	7	120	22	2.19
420822	8	120	22	2.50
420922	9	120	22	2.81
421022	10	120	22	3.13
421122	11	120	22	3.44
421222	12	120	22	3.75
421322	13	120	22	4.07
421422	14	120	22	4.38
421522	15	120	22	4.69
421622	16	120	22	5.00
421722	17	120	22	5.32
421822	18	120	22	5.63
421922	19	120	22	5.94
422022	20	120	22	6.25
422122	21	120	22	6.57
422222	22	120	22	6.88
422322	23	120	22	7.19
422422	24	120	22	7.50
422622	26	120	22	8.13
422822	28	120	22	8.76
423022	30	120	22	9.38
423222	32	120	22	10.00
423422	34	120	22	10.63
423622	36	120	22	11.26
423822	38	120	22	11.88
424022	40	120	22	12.51
424222	42	120	22	13.13
424422	44	120	22	13.76
424622	46	120	22	14.38
424822	48	120	22	15.01



ITEM #	A (")	B (")	GAUGE TO SMACNA STANDARD	WT LBS/FT
425022	50	120	22	15.64
425222	52	120	22	16.26
425422	54	120	22	18.07
425622	56	120	22	18.74
425822	58	120	22	19.41
426022	60	120	22	20.08
426222	62	120	22	20.74
426422	64	120	22	21.41
426622	66	120	22	22.08
426822	68	120	22	22.75
427022	70	120	22	23.42

GALVANIZED SPIRAL PIPE HANGERS

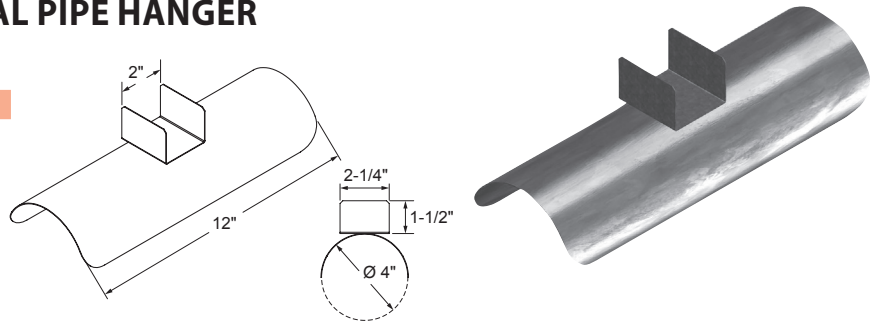
ITEM #	SIZE (")	A (")	GAUGE	WT LBS/EA
430104	4	4-3/16	22	.16
430105	5	5-3/16	22	.19
430106	6	6-3/16	22	.22
430107	7	7-3/16	22	.25
430108	8	8-3/16	22	.28
430109	9	9-3/16	22	.31
430110	10	10-3/16	22	.34
430112	12	12-3/16	22	.40
430114	14	14-1/8	22	.46
430116	16	16-1/16	22	.52
430118	18	18-1/16	22	.58
430120	20	20-1/16	22	.64



- E.&O.E. - Subject to Change Without Notice - May Not Be Available At All Locations -

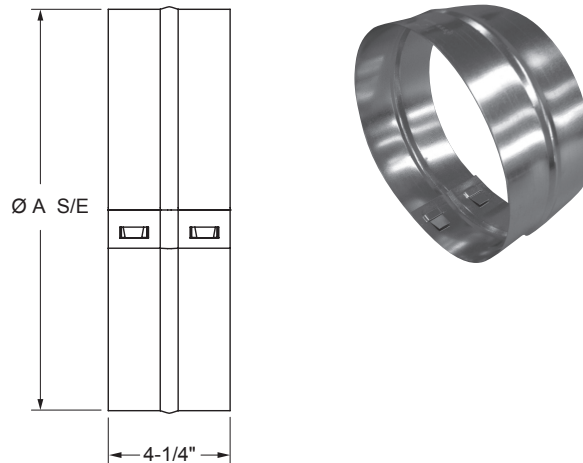
GALVANIZED HALF ROUND SPIRAL PIPE HANGER

ITEM #	SIZE (")	GAUGE	WT LBS/EA
580215	12 × 2	24	.70



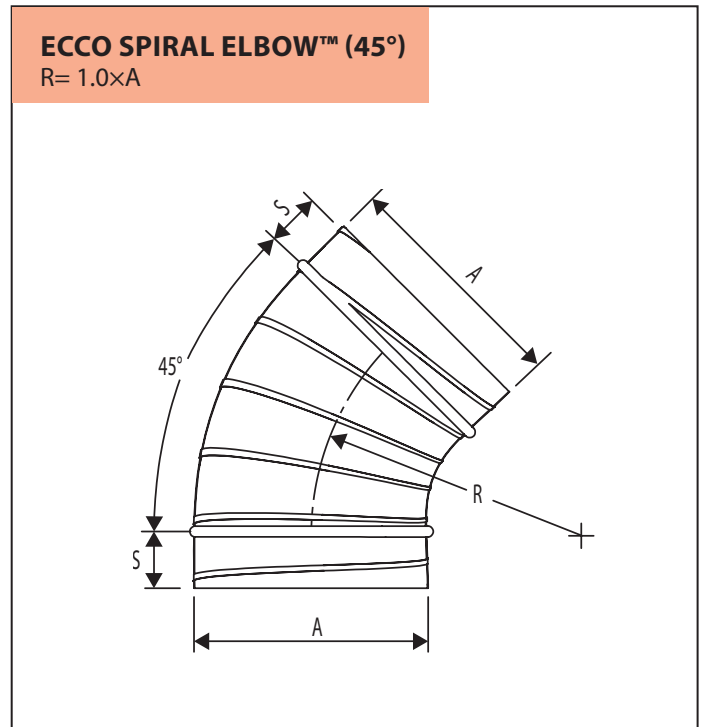
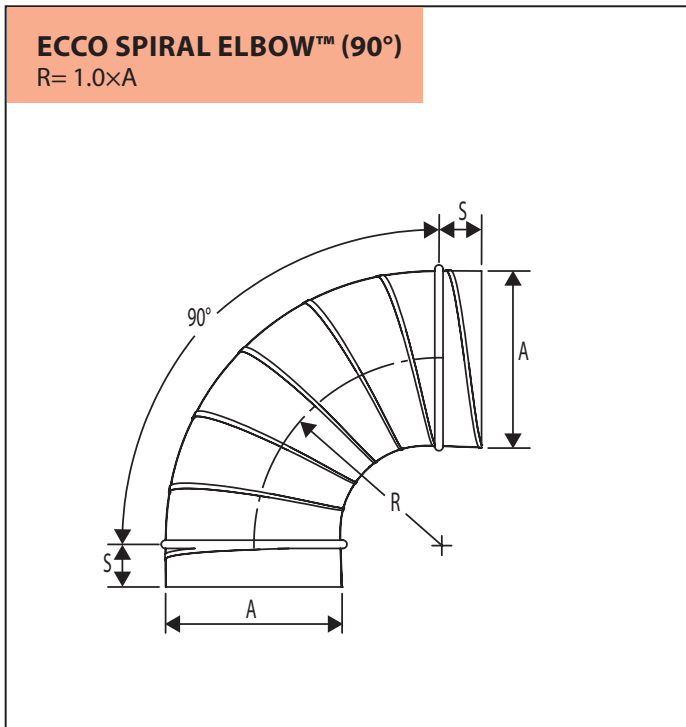
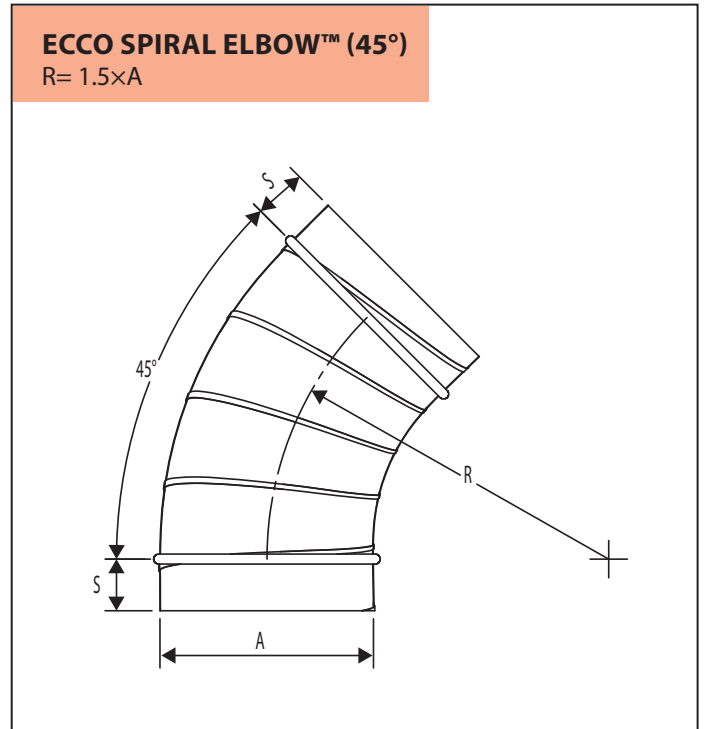
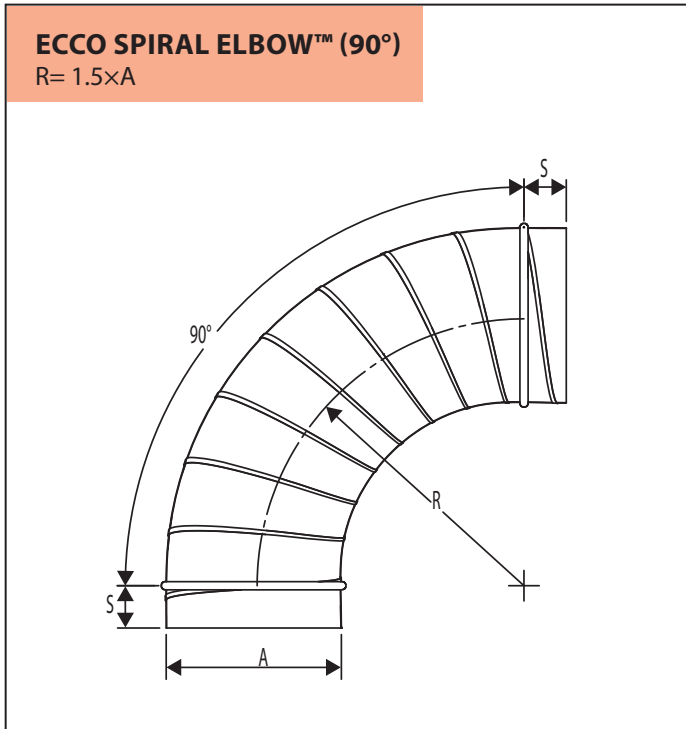
GALVANIZED SPIRAL PIPE COUPLINGS

ITEM #	SIZE	A (")	GAUGE	WT LBS/EA
430324	3	3	24	.36
430424	4	4	24	.46
430524	5	5	24	.50
430624	6	6	24	.60
430724	7	7	24	.70
430824	8	8	24	.80
430924	9	9	24	.90
431024	10	10	24	1.00
431124	11	11	24	1.10
431224	12	12	24	1.20
431324	13	13	24	1.30
431424	14	14	24	1.40
431522	15	15	22	1.80
431622	16	16	22	2.00
431722	17	17	22	2.10
431822	18	18	22	2.20
431922	19	19	22	2.30
432022	20	20	22	2.40
432122	21	21	22	2.60
432222	22	22	22	2.70
432322	23	23	22	2.90
432422	24	24	22	3.00
432622	26	26	22	3.20
432820	28	28	20	4.10
433020	30	30	20	4.30
433220	32	32	20	4.60
433420	34	34	20	5.10
433620	36	36	20	5.20



NOTES: Contact your ECCO™ sales representative for pricing on larger sizes.
Other types of connectors also available.

SPIRAL PIPE FITTINGS — ECCO SPIRAL ELBOW™



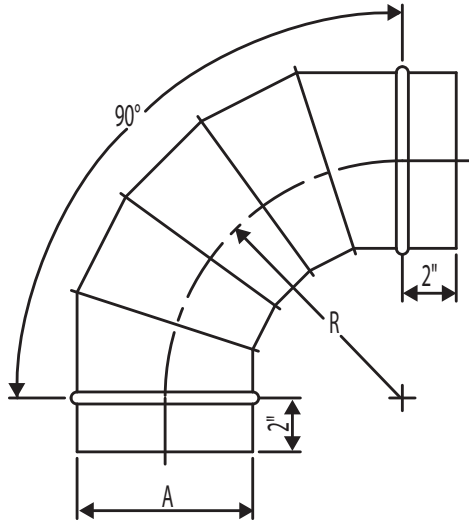
*The drawings shown are illustrative of the types of fittings manufactured. Please contact your local ECCO™ Representative for ordering.

– E.&O.E. – Subject to Change Without Notice – May Not Be Available At All Locations –

SPIRAL PIPE FITTINGS — ELBOWS

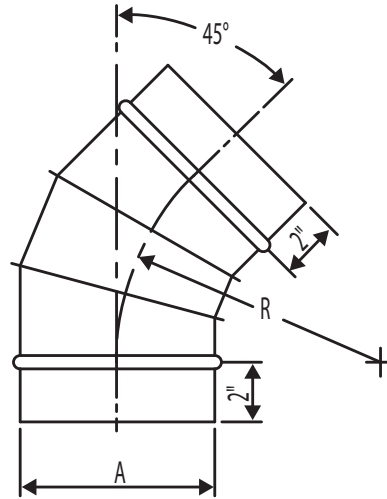
STANDING SEAM ELBOW (90°)

$R = 1.5 \times A$



STANDING SEAM ELBOW (45°)

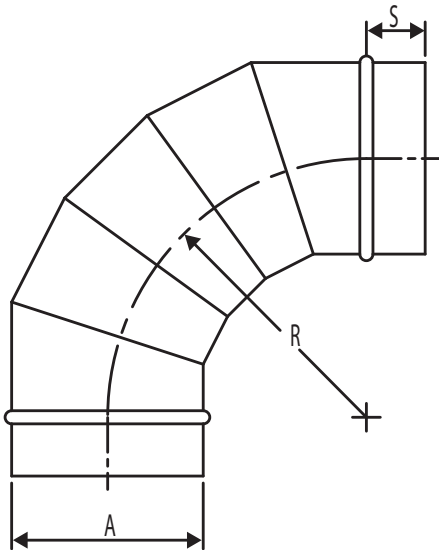
$R = 1.5 \times A$



TYPE: E-5-90

90° Elbow – 5 Piece

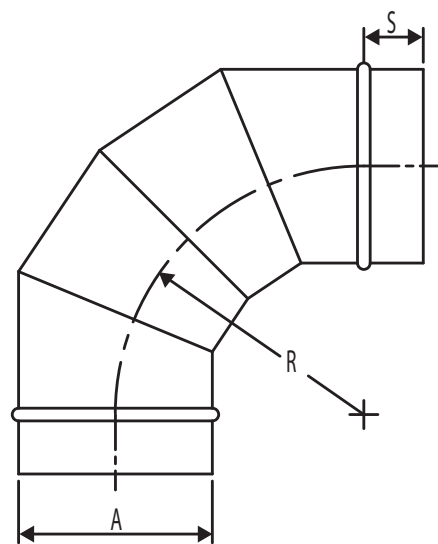
$R = 1.5 \times A$



TYPE: E-4-90

90° Elbow – 4 Piece

$R = 1.0 \times A$ (4 gore)



*The drawings shown are illustrative of the types of fittings manufactured. Please contact your local ECCO™ Representative for ordering.

– E.&O.E. – Subject to Change Without Notice – May Not Be Available At All Locations –

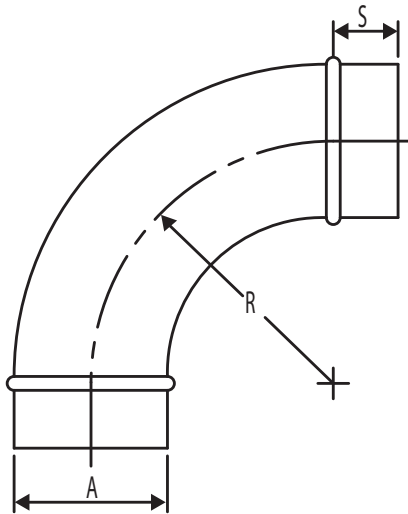
SPIRAL PIPE FITTINGS — ELBOWS (cont'd)

TYPE: E-90-1

Pressed / Stamped 90°

$R = 1.5 \times A$

(4" – 12"Ø)

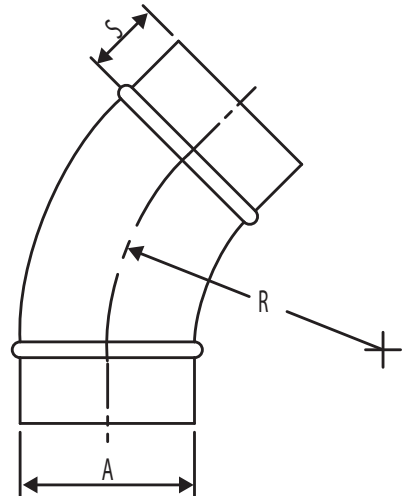


TYPE: E-45-1

Pressed / Stamped 45°

$R = 1.5 \times A$

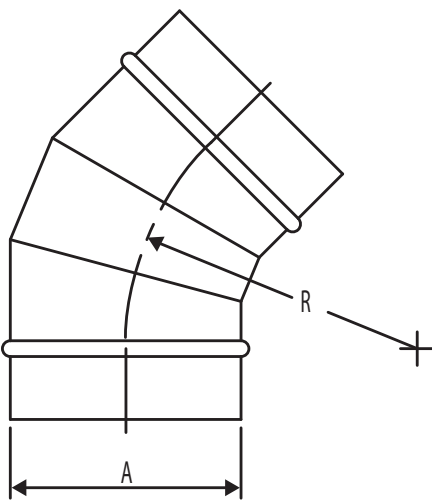
(4" – 12"Ø)



TYPE: E-3-45

45° Elbow

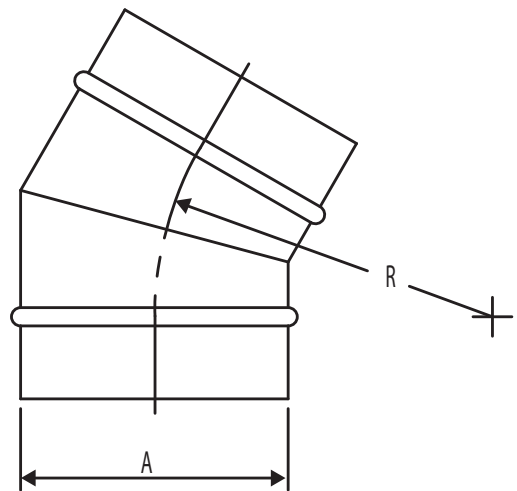
$R = 1.5 \times A$ (3 gore)



TYPE: E-2-30

30° Elbow

$R = 1.0 \times A$

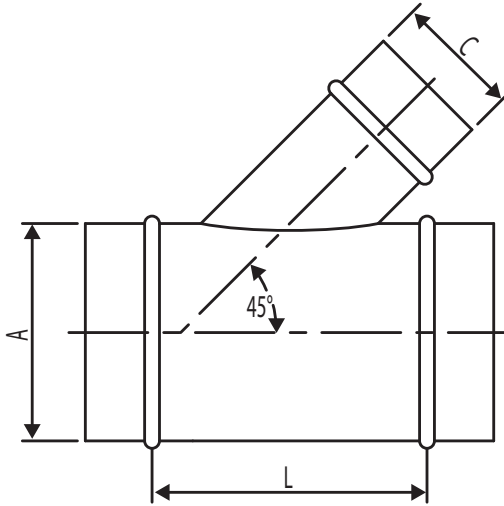


*The drawings shown are illustrative of the types of fittings manufactured. Please contact your local ECCO™ Representative for ordering.

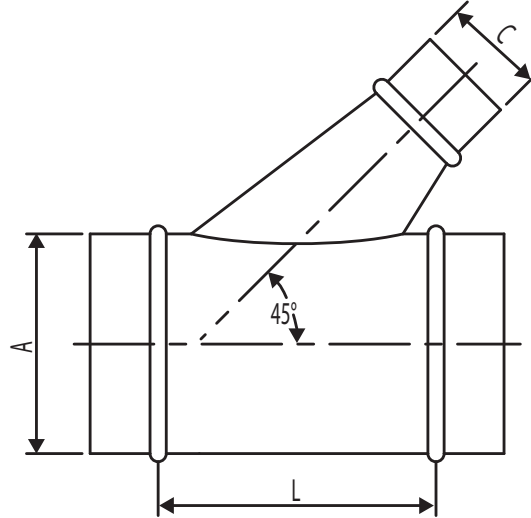
– E.&O.E. – Subject to Change Without Notice – May Not Be Available At All Locations –

SPIRAL PIPE FITTINGS — LATERALS

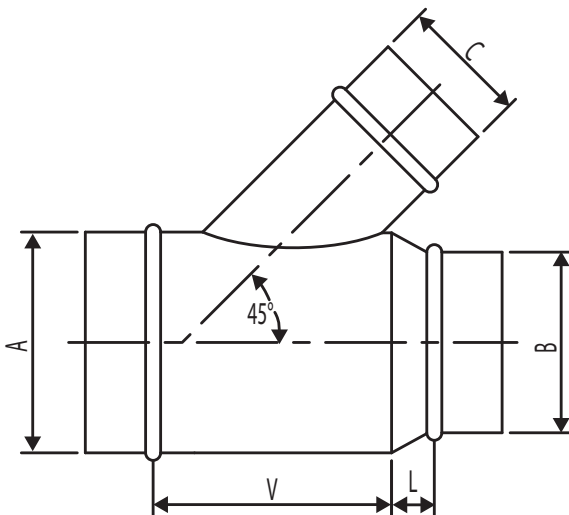
TYPE: L1-45
45° Lateral



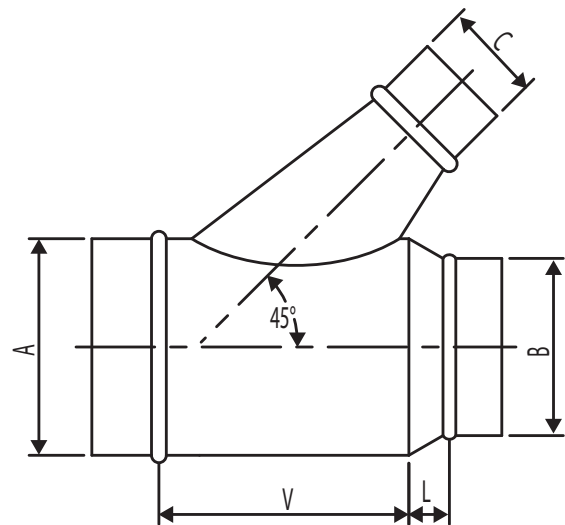
TYPE: CONL-45
Lateral



TYPE: LR1-45
Reducing Lateral



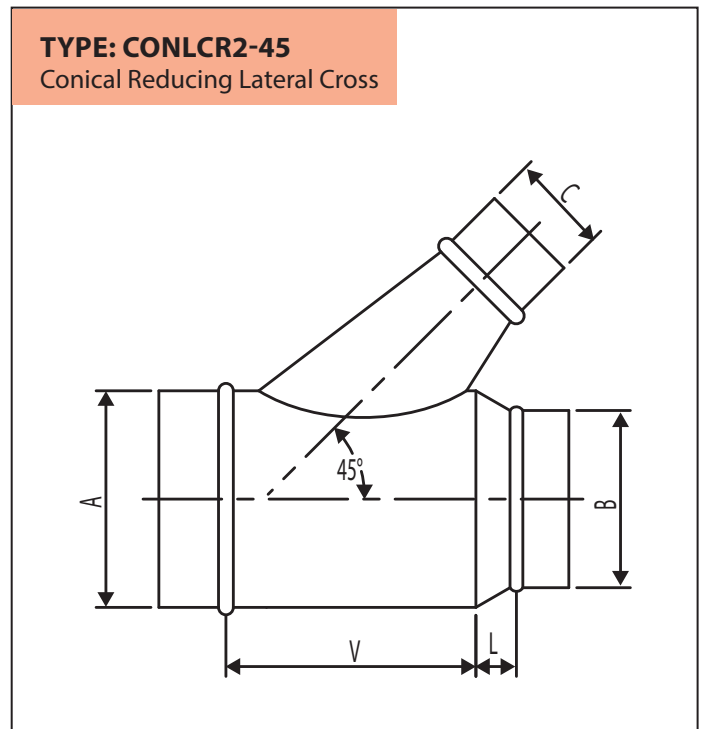
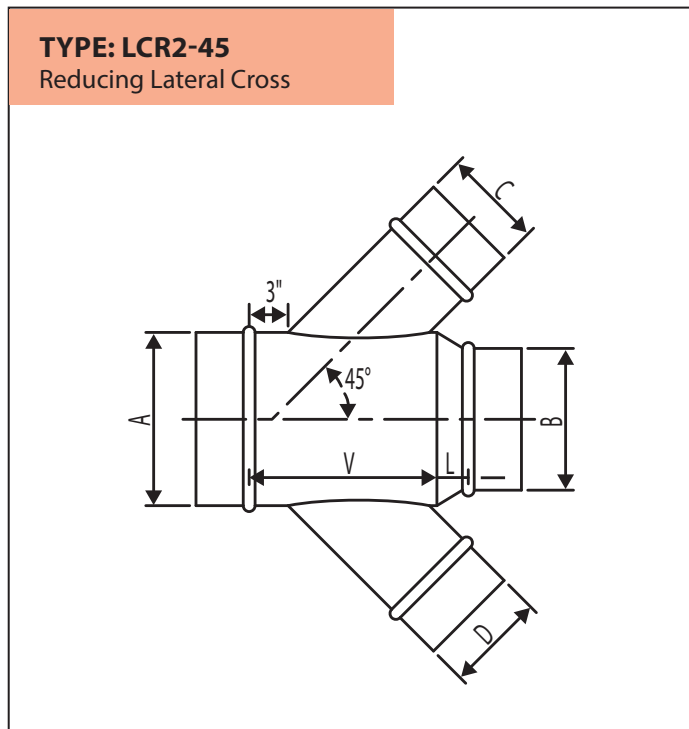
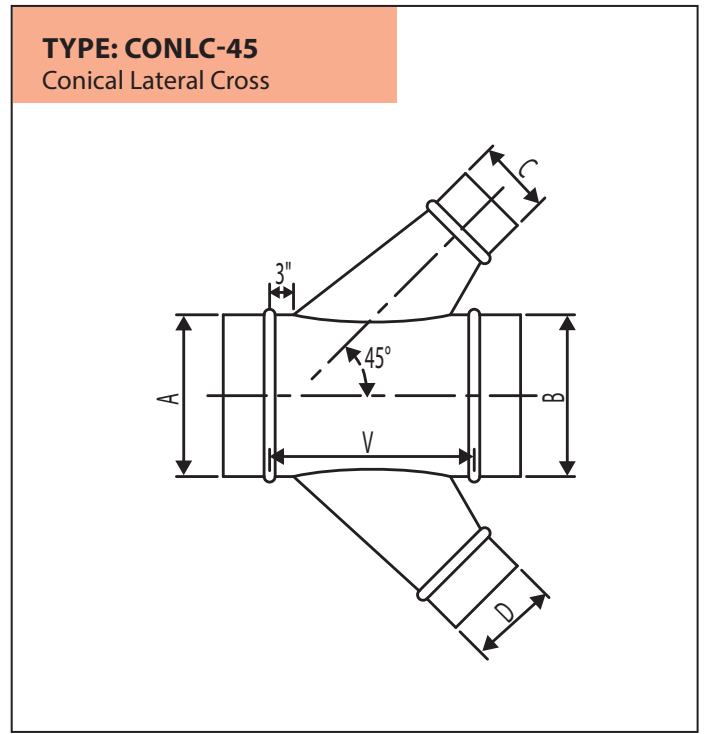
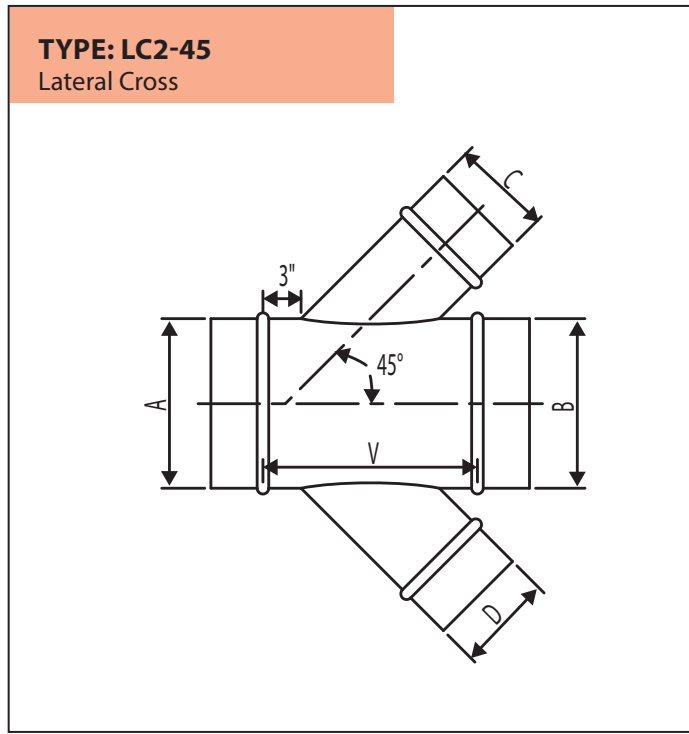
TYPE: CONLR-45
Reducing Conical Lateral



*The drawings shown are illustrative of the types of fittings manufactured. Please contact your local ECCO™ Representative for ordering.

– E.&O.E. – Subject to Change Without Notice – May Not Be Available At All Locations –

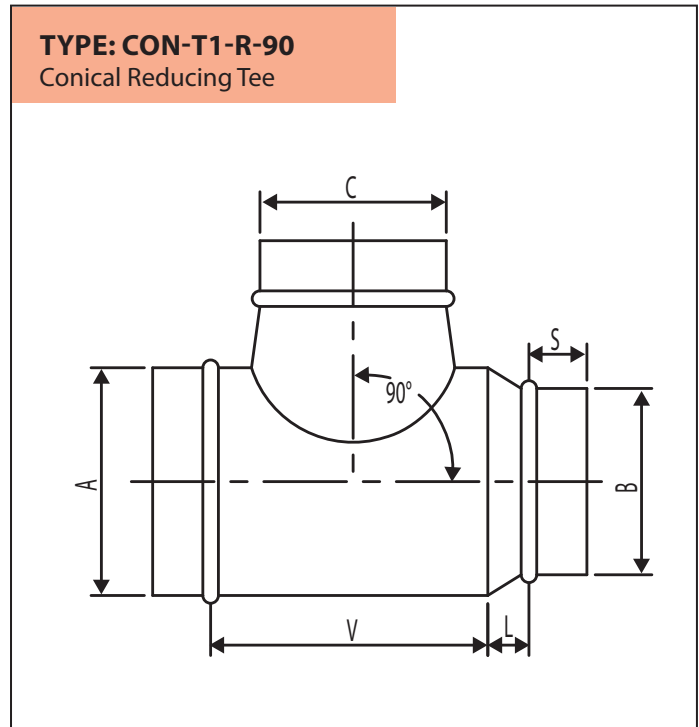
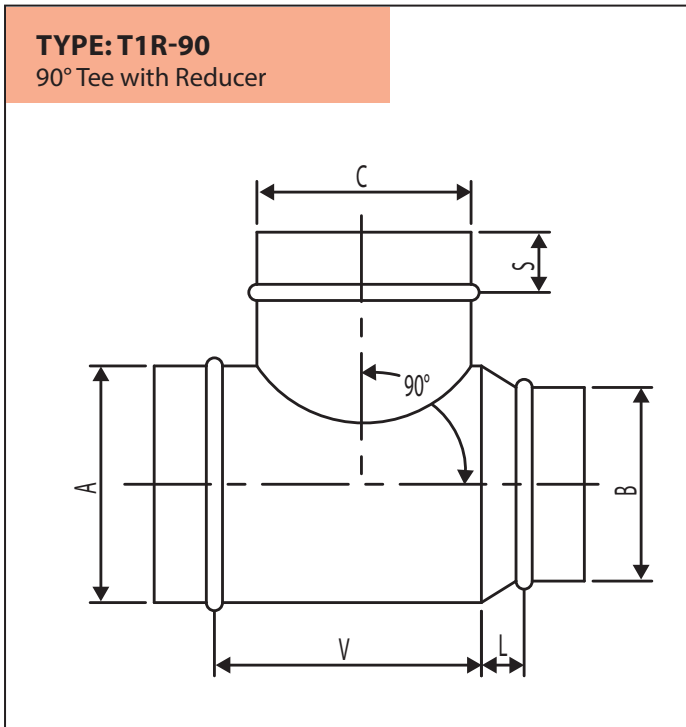
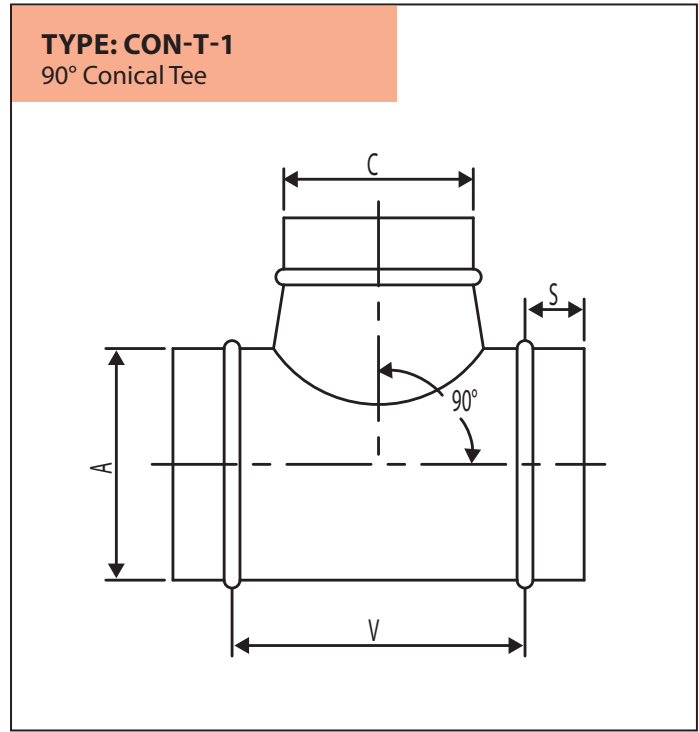
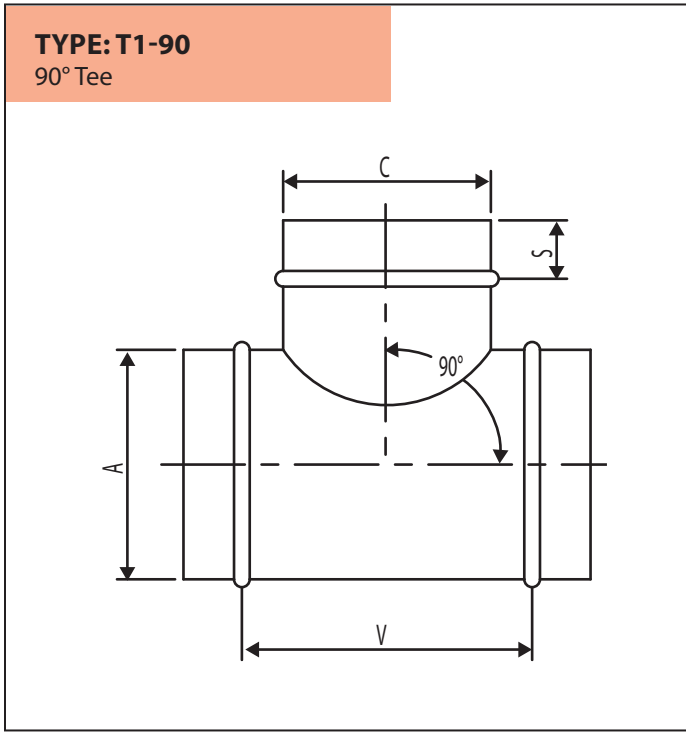
SPIRAL PIPE FITTINGS — LATERAL CROSSES



*The drawings shown are illustrative of the types of fittings manufactured. Please contact your local ECCO™ Representative for ordering.

– E.&O.E. – Subject to Change Without Notice – May Not Be Available At All Locations –

SPIRAL PIPE FITTINGS — TEES

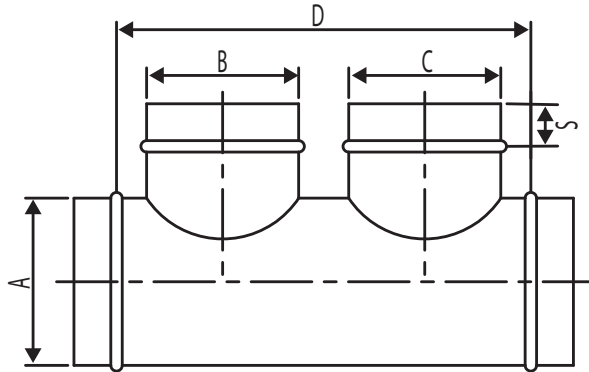


*The drawings shown are illustrative of the types of fittings manufactured. Please contact your local ECCO™ Representative for ordering.

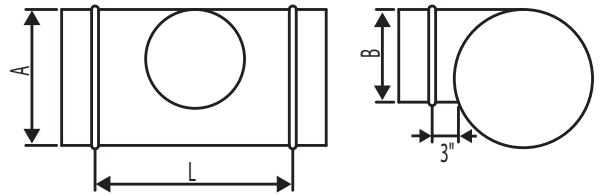
– E.&O.E. – Subject to Change Without Notice – May Not Be Available At All Locations –

SPIRAL PIPE FITTINGS — TEES (cont'd)

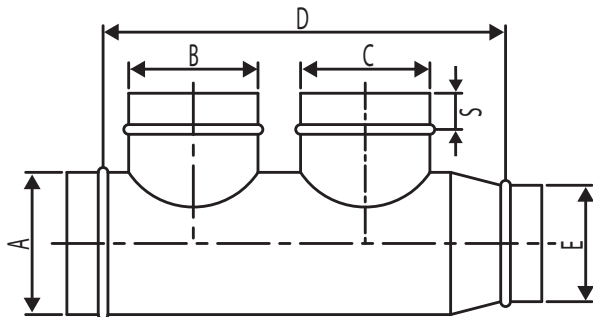
TYPE: T2-90
90° Double Branch Tee



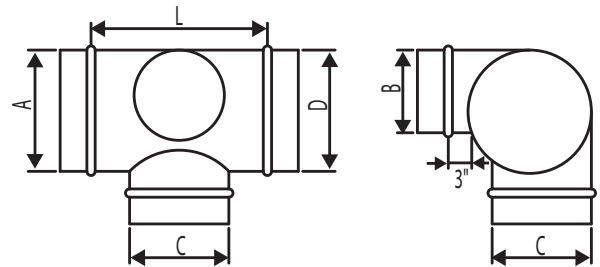
TYPE: TT1-90
Tangential



TYPE: T2-90R
90° Double Branch Tee with Reducer



TYPE: ST2-90
Tangential Cross Tee



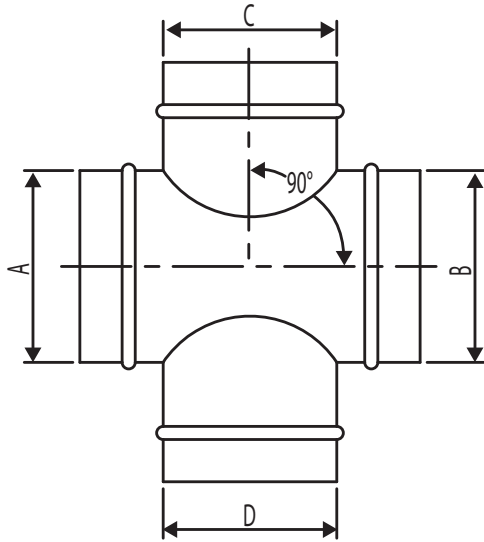
*The drawings shown are illustrative of the types of fittings manufactured. Please contact your local ECCO™ Representative for ordering.

– E.&O.E. – Subject to Change Without Notice – May Not Be Available At All Locations –

SPIRAL PIPE FITTINGS — CROSSES

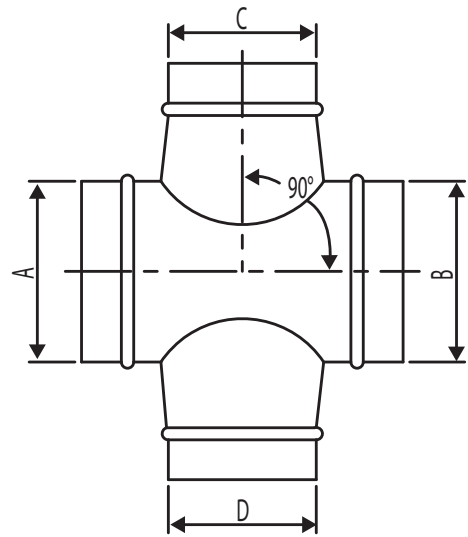
TYPE: C2-180

180° Cross



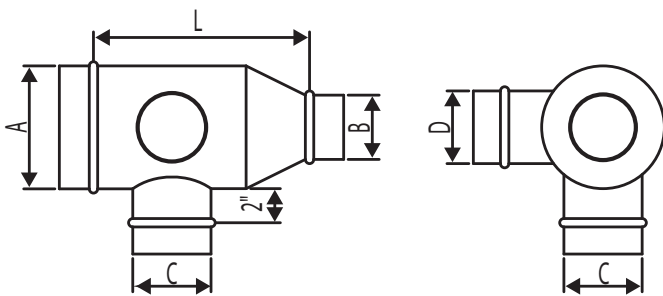
TYPE: CON-T2-90

180° Conical Cross



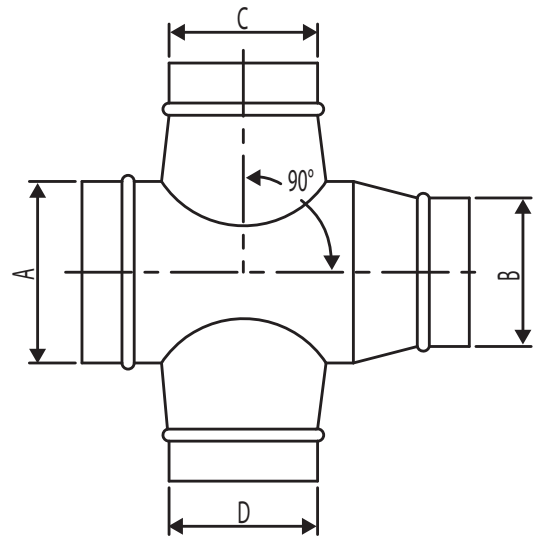
TYPE: CR2-90

90° Cross with Reducer



TYPE: CON-TR2-180

180° Conical Cross with Reducer

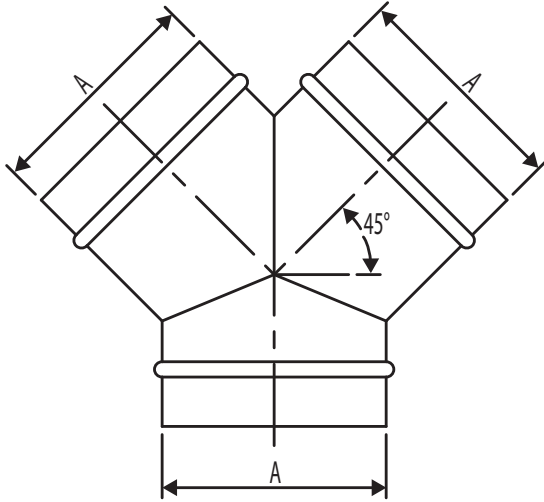


*The drawings shown are illustrative of the types of fittings manufactured. Please contact your local ECCO™ Representative for ordering.

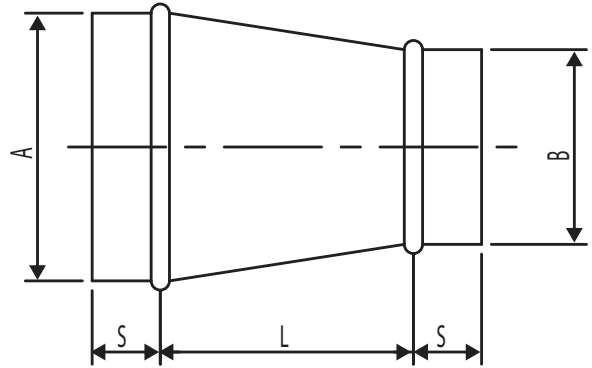
– E.&O.E. – Subject to Change Without Notice – May Not Be Available At All Locations –

SPIRAL PIPE FITTINGS — WYE REDUCERS

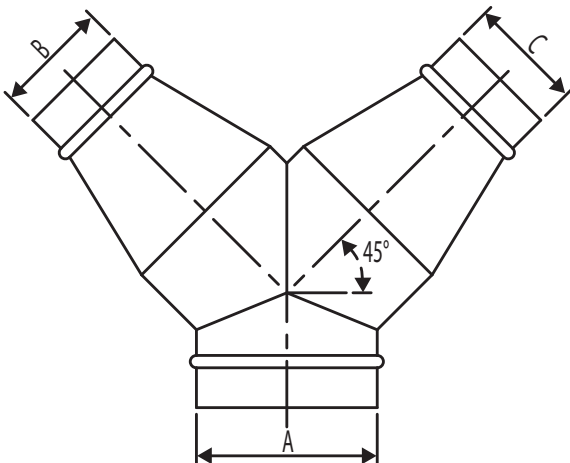
TYPE: Y
Equal Y-45°



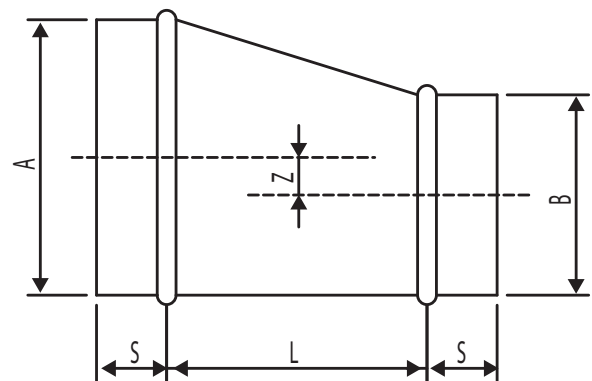
TYPE: CR
Concentric Reducer



TYPE: RED-Y
Reducing Y-45°



TYPE: ER
Eccentric Reducer



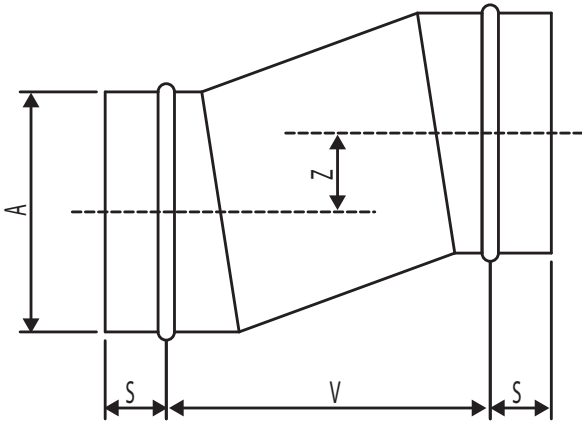
*The drawings shown are illustrative of the types of fittings manufactured. Please contact your local ECCO™ Representative for ordering.

– E.&O.E. – Subject to Change Without Notice – May Not Be Available At All Locations –

SPIRAL PIPE FITTINGS — ACCESSORIES

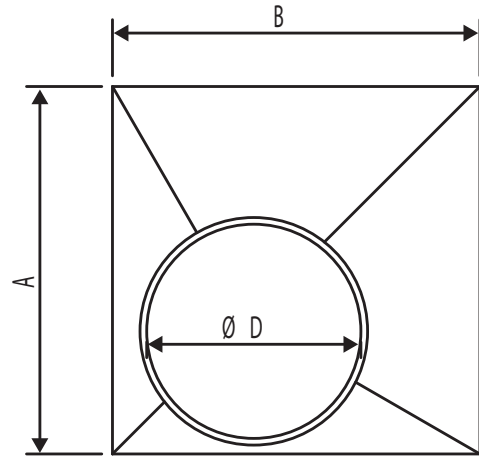
TYPE: SET

Offset

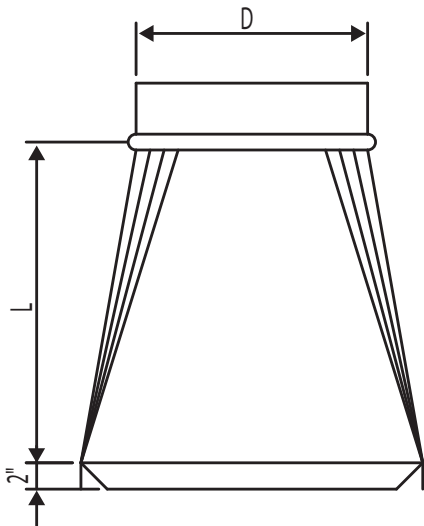


TYPE: SQUARE TO ROUND

Flat Two Sides

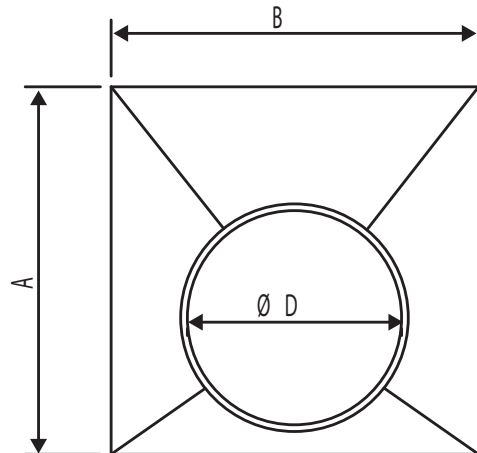


TYPE: SQUARE TO ROUND



TYPE: SQUARE TO ROUND

Flat One Side
– On Centre

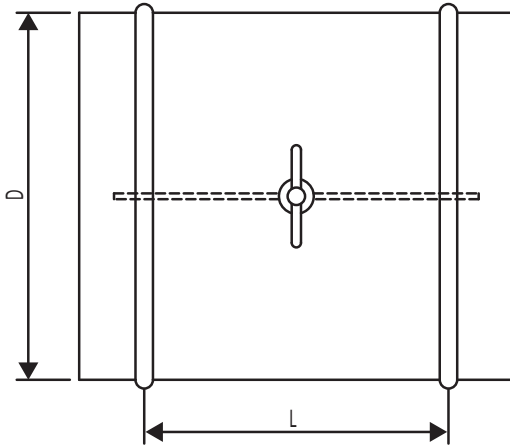


*The drawings shown are illustrative of the types of fittings manufactured. Please contact your local ECCO™ Representative for ordering.

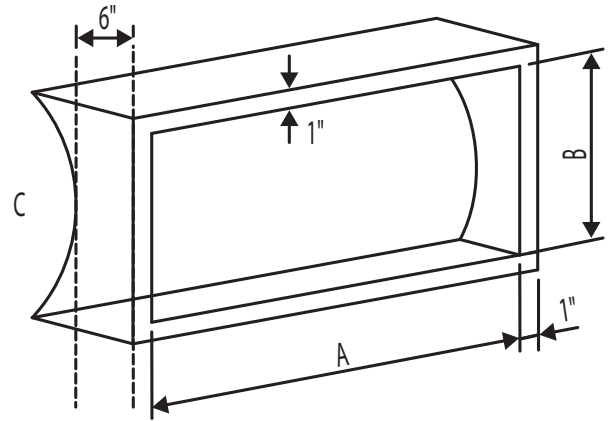
– E.&O.E. – Subject to Change Without Notice – May Not Be Available At All Locations –

SPIRAL PIPE FITTINGS — ACCESSORIES (cont'd)

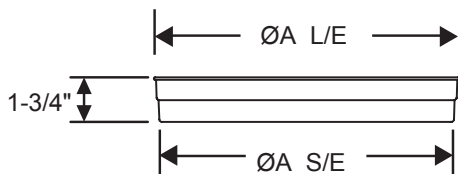
TYPE: VOLUME DAMPER



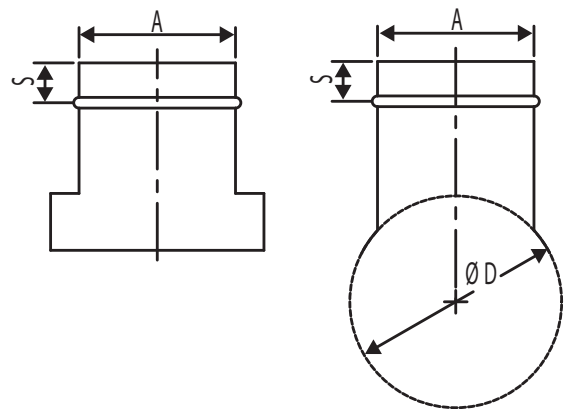
TYPE: GRILLE BOX



TYPE: SPUN PLUG



TYPE: LATERAL SADDLE TAP



*The drawings shown are illustrative of the types of fittings manufactured. Please contact your local ECCO™ Representative for ordering.

– E.&O.E. – Subject to Change Without Notice – May Not Be Available At All Locations –

SPIRAL PIPE CUSTOM ELBOWS — MANUFACTURED TO MEET YOUR SPECIFICATIONS

To help meet your specific requirements, our sales staff will need to know the pressure class or pipe velocity of the system. We can then determine the gauge and construction details. Knowing the degree of the elbow in the pressure class or velocity will also determine the number of segments or gores required.

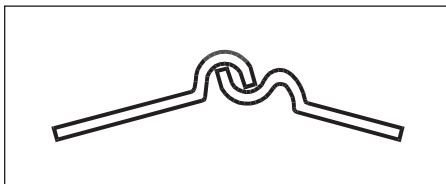
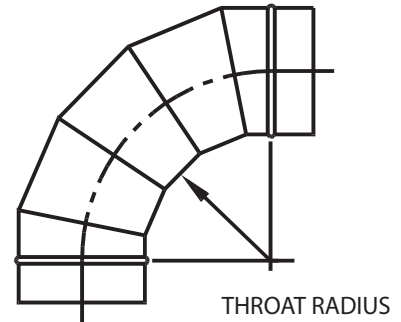
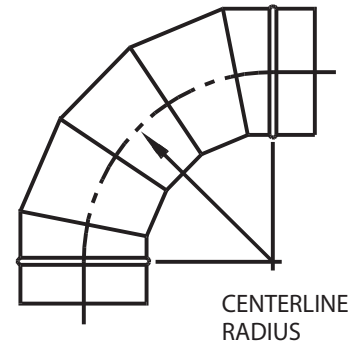
MITERED ELBOWS

Pipe Velocity	R/D Ratio Centerline Radius to Pipe Diameter	Number of Mitered Pieces		
		90°	60°	45°
Up to 1000 fpm	0.6	3	2	2
1001 to 1500 fpm	1.0	4	3	2
Above 1500 fpm	1.5	5	4	3

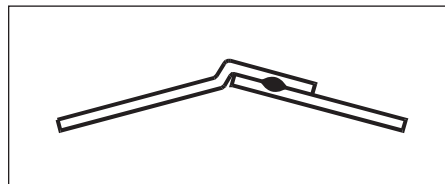
Source: SMACNA HVAC Pipe Construction Standards

Please specify when ordering:

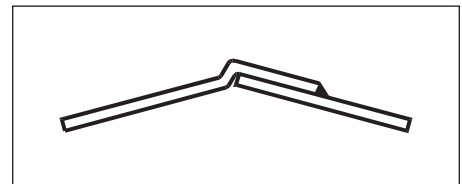
1. Diameter
2. Degree Angle
3. Radius (centerline or throat)
4. Gauge (thickness of material) or pressure class (WG)
5. Number of segments or gores (determined by degree and pressure class) (WG)
6. Material, e.g.: Galvanized; Aluminum; Stainless Steel; PVC Coated; etc.
7. Fitting Connection
 - e.g.: big end/small end rule size;
 - small end/small end spiral size;
 - small end/big end spiral size;
 - big end over spiral/small end into spiral (blow pipe).
8. Construction — determined by pressure class (WG):
 - (a) turned seam;
 - (b) lap and spot;
 - (c) lap and weld;
 - (d) butt weld;
 - (e) standing seam;
 - (f) spiral seam.



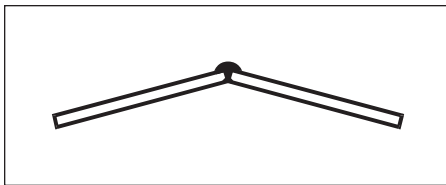
TURNT SEAM



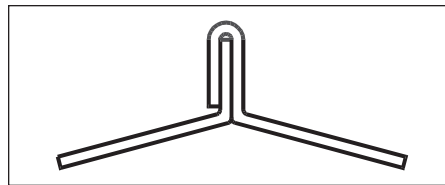
LAP AND SPOT



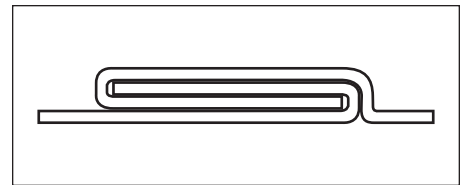
LAP AND WELD



BUTT WELD



STANDING SEAM



SPIRAL SEAM

– E.&O.E. – Subject to Change Without Notice – May Not Be Available At All Locations –



www.eccomfg.com

Langley Distribution

19860 Fraser Highway
Langley, British Columbia
Canada V3A 4C9

Phone: 604-530-4151
Toll Free: 1-877-955-4805
Fax: 604-533-9335

Calgary Distribution

21 – 11150 38th Street, S.E.
Calgary, Alberta
Canada T2C 2Z6

Phone: 403-720-0895
Toll Free: 1-877-955-4815
Fax: 403-720-0897

Kent Distribution

20001 87th Ave. S, Bldg E
Kent, Washington
USA 98031

Phone: 253-872-3721
Toll Free: 1-800-207-6859
Fax: 253-872-3724