




7-200
TempControl 7 Series
Specification Submittal

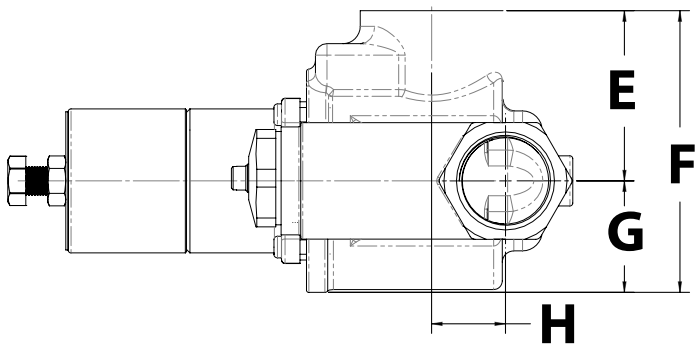
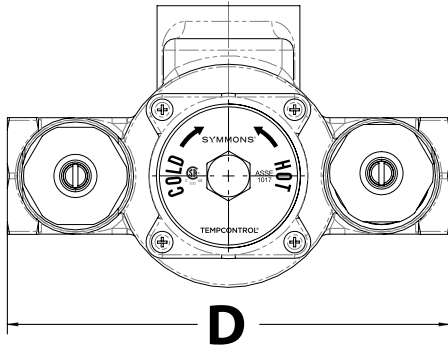
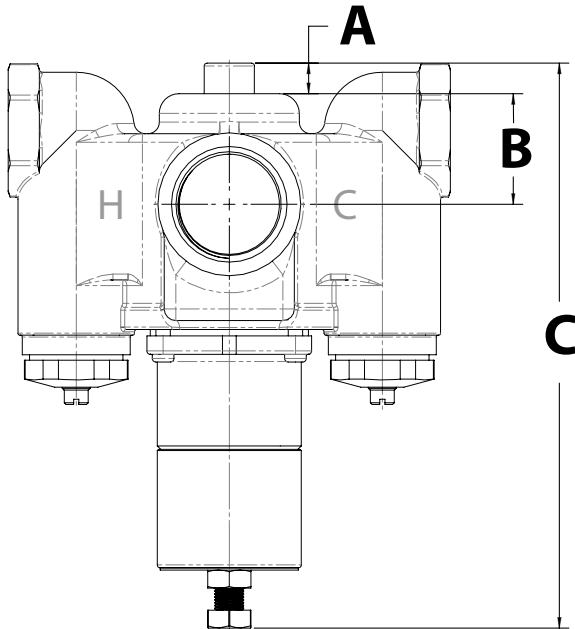
Coordinating Model Numbers	Specification
<input type="checkbox"/> HTA-100 <i>High temp audio/visual alarm system</i> <input type="checkbox"/> T-425-200 <i>3" bimetal dial thermometer</i> <input type="checkbox"/> BV-200 <i>Volume control shut off valve</i> <input type="checkbox"/> SV-200 <i>Solenoid valve</i> <input type="checkbox"/> SV-200 <i>Solenoid valve</i> <input type="checkbox"/> TF-200 <i>Tee fitting</i> <input type="checkbox"/> WHA-1 <i>Water hammer arrestor</i>	<p>TempControl thermostatic mixing valve made from lead free** metal components. Features serviceable integral check stops (see table 1 for flow rates).</p> <p>Temperature control range: 70°F - 150°F (21.1°C - 65.6°C)</p> <p>Approach temperature: 5°F (-15°C)</p> <p>**According to US Senate bill S.3874, the term "lead free" is defined as follows: "not more than a weighted average of 0.25 percent lead when used with respect to the wetted surfaces of pipes, pipe fittings, plumbing fittings, and fixtures"</p>
Configurations	Compliance
<input type="checkbox"/> A <i>Valve and piping assembly</i> <input type="checkbox"/> B <i>Valve and piping in cabinet</i> <input type="checkbox"/> BW <i>Valve and piping in cabinet with cold water bypass</i>	<p>ASME A112.18.1/CSA B125.1 ASME A112.18.3/CSA B125.3 ASSE 1017 CA 116875 (AB 1953) NSF 61.9 US S.3874</p> 
<p>Note: Append appropriate suffix to model number.</p>	<p>Warranty</p> <p>5 Years - for commercial installations.</p> <p>Refer to www.symmons.com/warranty for complete warranty information.</p>

Valve Model	Min. Flow Rate*	Min. Flow Rate	Pressure Differential - psi (kPa)					
			5 psi (34 kPa)	10 psi (69 kPa)	20 psi (138 kPa)	25 psi (172 kPa)	30 psi (207 kPa)	45 psi (310 kPa)
7-200	0.5 gpm (1.9 L/min)	5 gpm (19 L/min)	7 gpm (27 L/min)	12 gpm (46 L/min)	18 gpm (68 L/min)	21 gpm (80 L/min)	23 gpm (87 L/min)	27 gpm (102 L/min)

*Minimum flow rate when valve is installed at or near the hot water source with recirculated tempered water and continuously operating circulating pump.

7-200
TempControl 7 Series
Specification Submittal

Dimensions



TempControl Valve Sizes		
Model No.	Inlet	Outlet
7-200	3/4"	3/4"
Measurements		
Dimension	7-200	
A	1/2", 13 mm	
B	1 7/8", 46 mm	
C	8 15/16", 226 mm	
D	5 15/16", 150 mm	
E	2", 51 mm	
F	3 5/16", 84 mm	
G	1 5/16", 33 mm	
H	11/16", 17 mm	

Note:
Dimensions are subject to change without notice.