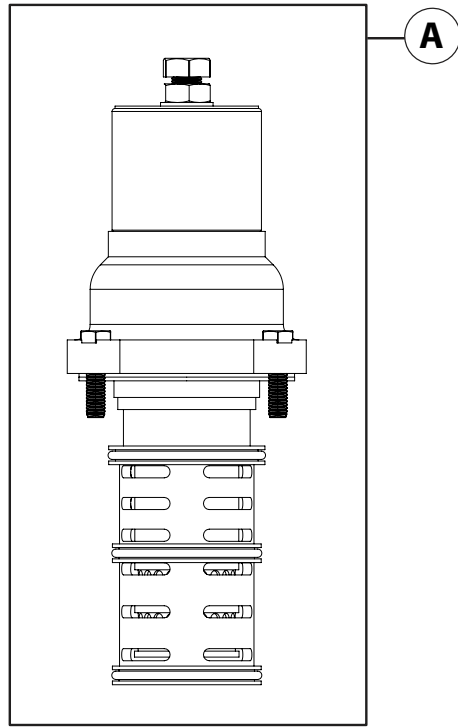


7-102, 7-200, 7-400, 7-500, 7-700, 7-900, 7-1000
TempControl 7 Series
Operation & Maintenance Manual

Parts Breakdown (7-900, 7-1000)



Replacement Parts for Model 900 & 1000		
Item	Description	Part No.
A	Valve replacement cartridge	7-()NW
B	Casing gasket	TT-11-()
C	Sleeve o-rings (x3)	TT-15-()
D	Gasket between stops	TT-32A
E	Cap gasket	TT-21-()
F	Stop spindle	TT-22-()
G	Complete replacement stop body assembly	TT-27-()
H	Check spindle and spring	TT-200-()

Notes:

- 1) Insert proper model number in parenthesis.
- 2) Item G contains check body, cap, check spring and check assembly.

