



Location:



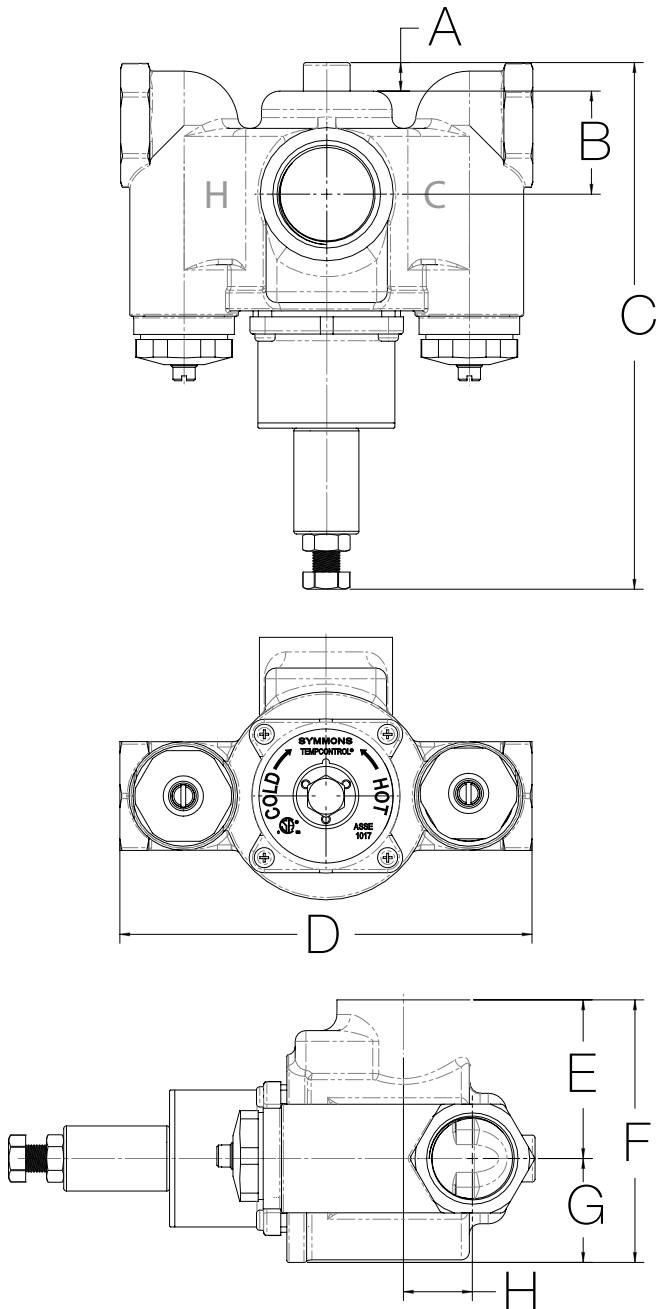
7-400
Thermostatic Mixing Valve
Specification Submittal

Model Numbers	Feature Highlights
<input type="checkbox"/> 7-400 Thermostatic Mixing Valve	<ul style="list-style-type: none"> • TempControl thermostatic mixing valve • Brass, bronze, and stainless steel construction • Features serviceable integral check stops
Options/ Modifications	Warranty
<input type="checkbox"/> -NI Rough nickel finish <input type="checkbox"/> -P Polished chrome highlight finish <input type="checkbox"/> -W Wall mounting bracket <input type="checkbox"/> -B Cabinet <input type="checkbox"/> -A Assembly <input type="checkbox"/> -S Semi-recessed cabinet has 4" return flange <input type="checkbox"/> -T Stainless steel cabinet <input type="checkbox"/> -M Surface mounted cabinet <input type="checkbox"/> -V Vacuum Breaker <input type="checkbox"/> -TOP Top supplies	<p>Limited Lifetime - to the original end purchaser in consumer/residential installations. 10 Years - for commercial/industrial installations. Refer to www.symmons.com/warranty for complete warranty information.</p> 
Note: Append appropriate suffix to model number.	Compliance
	<ul style="list-style-type: none"> - ASME A112.18.3/CSA B125.3-12 - ASSE 1017 - NSF/ANSI 61.9, NSF/ANSI 372 
	Coordinating Model Numbers
	<input type="checkbox"/> T-425-400 3" bimetal dial thermometer <input type="checkbox"/> TF-400 Tee fitting

Architectural/ Engineering Specification

Symmons _____. Includes TempControl thermostatic valve and serviceable integral check stops. Brass, bronze, and stainless steel construction. "10 Year Commercial Warranty". ASME A112.18.3/CSA B125.3-12, ASSE 1017, NSF/ANSI 61.9, and NSF/ANSI 372 compliant. Available options include: "NI - Rough nickel finish", "P - Polished chrome highlight finish", "W - Wall mounted bracket", "B - Cabinet", "A - Assembly", "S - Semi-recessed cabinet has 4 in return flange", "T - Stainless steel cabinet", "M - Surface mounted cabinet", "V - Vacuum breaker", and "TOP - Top supplies".

Dimensions



TempControl Valve Sizes		
Model No.	Inlet	Outlet
7-400	3/4"	1"

Measurements	
A	1/2", 13 mm
B	1-1/2", 39 mm
C	9-3/4", 251 mm
D	6-1/2", 165 mm
E	2-5/8", 67 mm
F	4-1/8", 105 mm
G	1-1/2", 38 mm
H	3/4", 19 mm

Flow Rate Chart

TABLE 1: FLOW RATE - gpm (L/min)								
VALVE MODEL	MIN. FLOW RATE*	MIN. FLOW RATE	PRESSURE DIFFERENTIAL - psi (kPa)					
			5 psi (34 kPa)	10 psi (69 kPa)	20 psi (138 kPa)	25 psi (172 kPa)	30 psi (207 kPa)	45 psi (310 kPa)
7-400	0.5 gpm (1.9 L/min)	9 gpm (34 L/min)	18 gpm (68 L/min)	27 gpm (102 L/min)	37 gpm (140 L/min)	41 gpm (155 L/min)	44 gpm (167 L/min)	53 gpm (201 L/min)

*Minimum flow rate when valve is installed at or near the hot water source with recirculated tempered water and continuously operating circulating pump.