

# Lead-Free Bronze Ball Valves

**Features:** Silicon Performance Bronze® Alloy • Two-Piece Body • Conventional Port • Blowout-Proof Stem

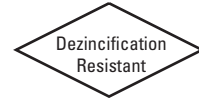
**Approvals:** MSS SP-110/145 • IAPMO/ANSI Z1157 • NSF/ANSI 61/372-8 Commercial Hot 180°F

**Size range:** 1-1/4" - 3"

**Pressure rating:** 600 PSI non-shock cold working pressure

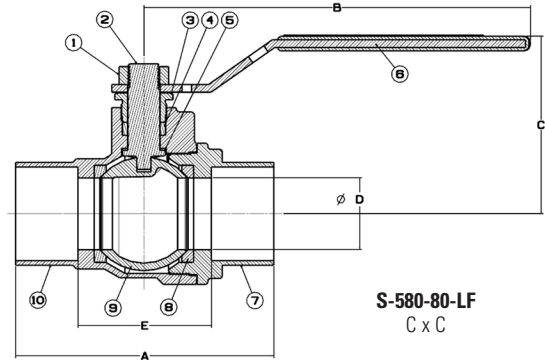
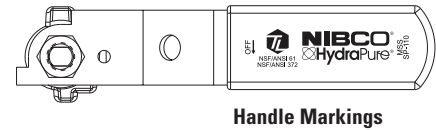
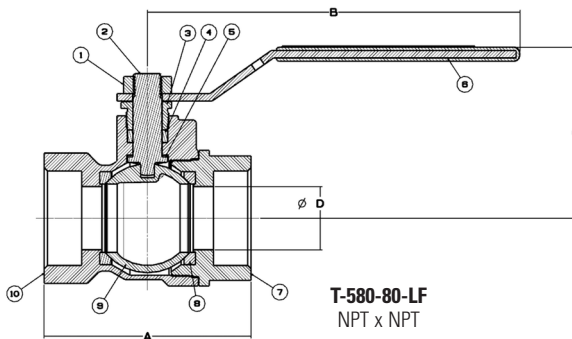
**Maximum pressure / temperature:** 100 PSI at 300° F

Lead-free markings: Double oval in body casting, white handle and blue hang tag



## MATERIAL LIST

PART	SPECIFICATION
1. Nut, Handle	Steel, Plated
2. Stem	Silicon Bronze ASTM B371 Alloy C69300
3. Pack Gland	Brass ASTM B16 Alloy C36000
4. Packing, Stem	Virgin PTFE
5. Washer, Thrust	Reinforced PTFE
6. Handle	Steel, Plated Plastisol Coated
7. End Piece	Silicon Bronze ASTM B584 Alloy C87600
8. Seat Ring	Reinforced PTFE
9. Ball	Silicon Bronze ASTM B283 Alloy C69300
10. Body	Silicon Bronze ASTM B584 Alloy C87600



### Handle Options:

- NIB-Seal® (up to 2-1/2")
- Locking lever
- Memory stop
- Extended lever w/ memory stop
- Round (up to 2 1/2")
- Horizontal and vertical chain (up to 2-1/2")

## DIMENSIONS—WEIGHTS—QUANTITIES

SIZE	Dimensions												Weights				Master Ctn. Qty.													
	T-580-80-LF		S-580-80-LF		T-580-80-LF		S-580-80-LF		T-580-80-LF		S-580-80-LF		T-580-80-LF		S-580-80-LF															
In. mm.	A	A	B	C	D	E	E	F	G	G	J	J	Lbs.	Kg.	Lbs.	Kg.														
1-1/4	32	3.54	90	3.9	99	4.76	121	2.48	63	1.00	25	2.18	55	1.96	50	2.09	53	0.68	17	0.97	25	6.53	166	6.69	170	2.17	0.98	1.78	0.81	20
1-1/2	40	3.75	95	4.51	115	6.75	171	3.09	78	1.25	32	2.39	61	2.33	59	2.46	62	0.68	17	1.09	28	8.62	219	8.99	228	3.27	1.48	2.87	1.30	20
2	50	4.30	109	5.49	139	6.75	171	3.32	84	1.50	38	2.90	74	2.81	71	2.95	75	0.70	18	1.34	34	8.90	226	9.49	241	5.09	2.31	4.60	2.08	10
2-1/2	65	5.43	138	6.34	161	6.75	171	3.56	90	2.00	51	3.55	90	3.40	86	3.75	95	0.94	24	1.47	37	9.46	240	9.89	251	8.25	3.74	8.18	3.71	6
3'	80	6.16	156	7.53	191	8.06	205	4.40	112	2.50	64	—	—	4.21	107	6.61	168	1.02	26	1.66	42	11.14	283	11.83	300	14.62	7.00	13.75	6.00	4

†Patent Pending

**WARNING:** This product can expose you to chemicals including lead, which is known to the State of California to cause cancer and birth defects or other reproductive harm. For more information go to [www.P65Warnings.ca.gov](http://www.P65Warnings.ca.gov).

LEAD-FREE: Weighted average lead content ≤ 0.25%