

Lead-Free* Bronze Ball Valves

Features: Silicon Performance Bronze® Alloy • Two-Piece Body • Conventional Port • Blowout-Proof Stem • Stainless Trim • Vented Ball

Approvals: MSS SP-110 • IAPMO IGC-157 • NSF/ANSI-61-8 Commercial Hot 180°F (includes annex F and G) and NSF/ANSI-372

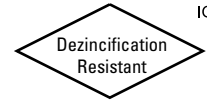
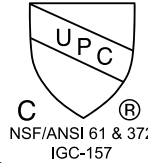
Size range: 1-1/4" - 3"

Pressure rating: 600 PSI non-shock cold working pressure

Maximum pressure / temperature: 100 PSI at 300° F

Lead-free* markings:

Double oval in body casting, white handle and blue hang tag



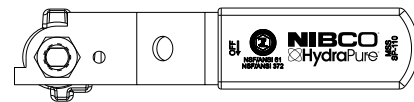
MATERIAL LIST

PART	SPECIFICATION
1. Nut, Handle	Steel, Stainless
2. Stem	Stainless Steel ASTM A276 Type 316
3. Pack Gland	Brass ASTM B16 Alloy C36000
4. Packing, Stem	Virgin PTFE
5. Washer, Thrust	Reinforced PTFE
6. Handle	Steel, Plated Plastisol Coated
7. End Piece	Silicon Bronze ASTM B584 Alloy C87600
8. Seat Ring	Reinforced PTFE
9. Ball (Vented)	Stainless Steel ASTM A276 Type 316
10. Body	Silicon Bronze ASTM B584 Alloy C87600

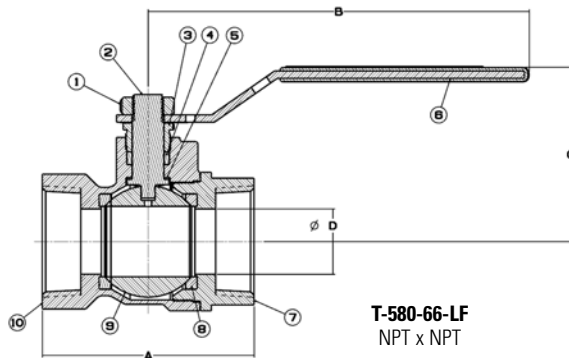


T-580-66-LF
Threaded

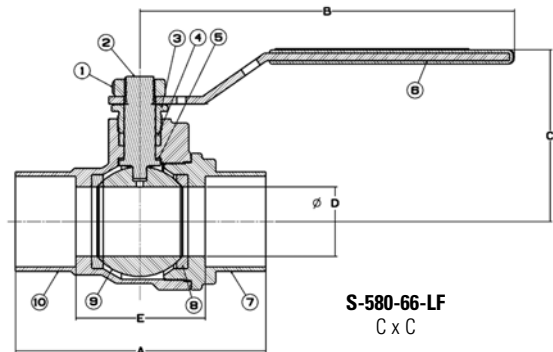
S-580-66-LF
Solder



Handle Markings



T-580-66-LF
NPT x NPT



S-580-66-LF
C x C

Handle Options:

- NIB-Seal® (up to 2-1/2")
- Locking lever
- Memory stop
- Extended lever w/ memory stop
- Round (up to 2-1/2")
- Horizontal and vertical chain (up to 2-1/2")

DIMENSIONS—WEIGHTS—QUANTITIES

SIZE	Dimensions																								T-580-80-LF	S-580-80-LF	Master Ctn. Qty.			
	T-580-66-LF		S-580-66-LF		T-580-66-LF		S-580-66-LF		T-580-66-LF		S-580-66-LF		T-580-66-LF		S-580-66-LF															
	A	A	B	C	D	E	E	F	G	G	J	J	G	G	J	J	G	G	J	J	Lbs.	Kg.	Lbs.	Kg.						
1-1/4	32	3.54	90	3.9	99	4.76	121	2.48	63	1.00	25	2.18	55	1.96	50	2.09	53	0.68	17	0.97	25	6.53	166	6.69	170	2.17	0.98	1.78	0.81	20
1-1/2	40	3.75	95	4.51	115	6.75	171	3.09	78	1.25	32	2.39	61	2.33	59	2.46	62	0.68	17	1.09	28	8.62	219	8.99	228	3.27	1.48	2.87	1.30	20
2	50	4.30	109	5.49	139	6.75	171	3.32	84	1.50	38	2.90	74	2.81	71	2.95	75	0.70	18	1.34	34	8.90	226	9.49	241	5.09	2.31	4.60	2.08	10
2-1/2	65	5.43	138	6.34	161	6.75	171	3.56	90	2.00	51	3.55	90	3.40	86	3.75	95	0.94	24	1.47	37	9.46	240	9.89	251	8.25	3.74	8.18	3.71	6
3†	80	6.16	156	7.53	191	8.06	205	4.33	110	2.50	64	4.37	111	4.35	110	6.54	166	1.02	26	1.66	42	11.26	286	11.83	300	14.59	7.00	17.32	6.00	4

†Patent Pending

*Weighted average lead content ≤ 0.25%